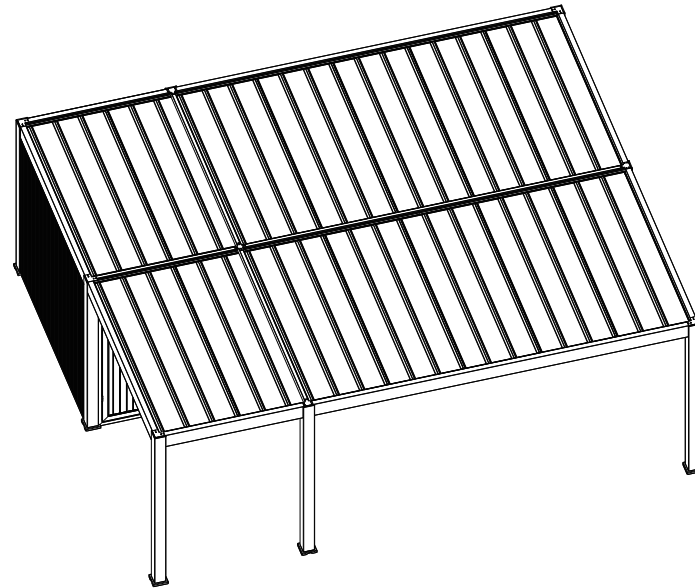
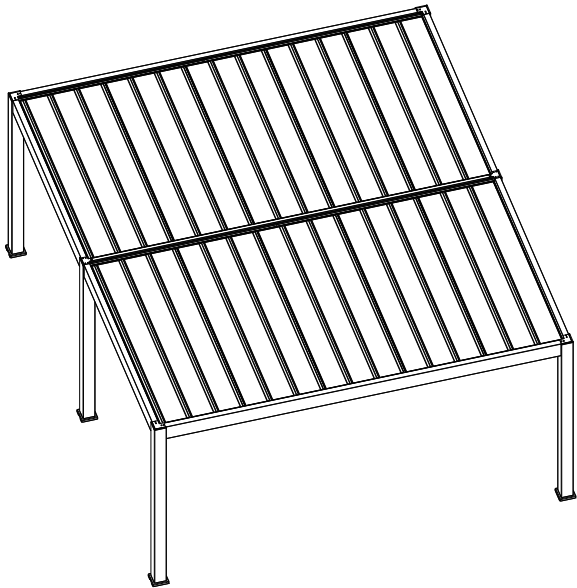
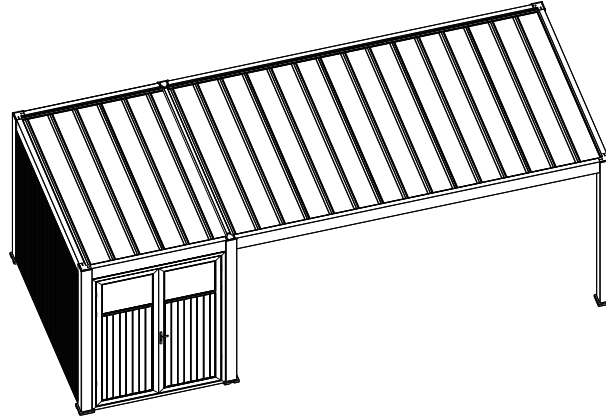


*live life outside*

**FORAVIDA**

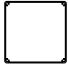

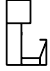

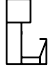





# **CARPORT + STORAGE**


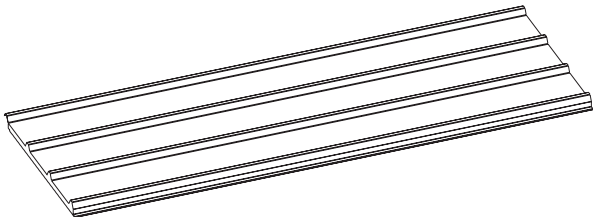

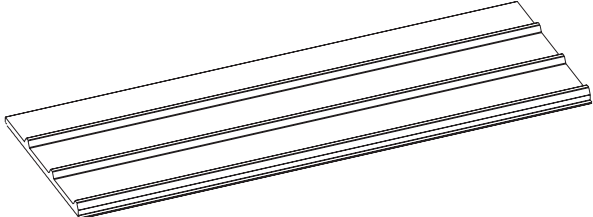
Assembly Instructions

# Carport Spare Part List A



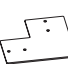
## Frame

REF	PICTURE	QTY
A1	  150X150-2550	4
B1	  120X195-5035	2
B2	  120X195-2910	2
F1	  25X45-2494	4



## Roof Panel

REF	PICTURE	QTY
W1	  2895-1080	4
W2	  2895-1023	1







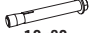
## Connector

REF	PICTURE	QTY
N1		4
N2		4
N4		4



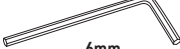

## Plastic Spare Part




REF	PICTURE	QTY
P1		16
P2		42

## Screws

REF	PICTURE	QTY
S1	  6mm	16
S2	  6x35 4mm	16
S3	 5x19	28
S4	 5x100	30
S6	 10x80	16

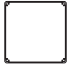


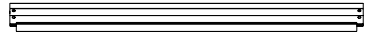
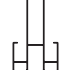

















## Tools

REF	PICTURE	QTY
Z1	 4mm	1
Z2	 4mm	1
Z3	 6mm	1
Z4	 6mm	1


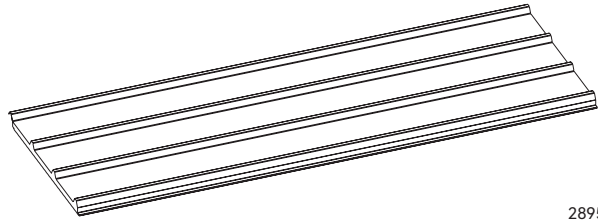

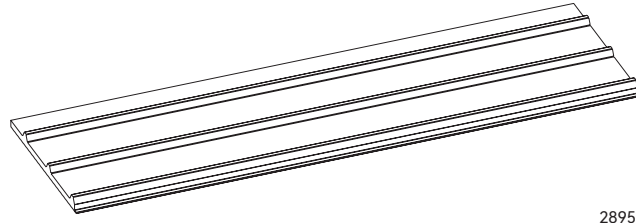
REF	PICTURE	QTY
Z5	 PH2	1
Z6		1
Z7		1

# Carport Spare Part List B







## Frame

REF	PICTURE	QTY
A2	  150X150-2550	2
B3	  120X195-1929	2
E1	  120X195-2910	1
F2	  25X45-1910	2
K1	  32X40-2701	2
K2	  32X40-2323	3
K3	  32X40-1719	1
K4	  40X60-2790	2
K5	  40X60-1809	1
K6	  34X50-2323	3
K7	  6X50-2323	3



## Roof Panel

REF	PICTURE	QTY
W1	  2895-1080	1
W3	  2895-932	1

## Composite Wall Panel




REF	PICTURE	QTY
L1	  188X28-2316	39
L2	  100X28-2316	2
L5	  180X28-2316	1

## Parts



REF	PICTURE	QTY
V1	  90X18-2790	2

# Carport Spare Part List B



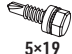


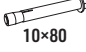

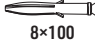
## Connector

REF	PICTURE	QTY
N1		2
N2		2
N5		2

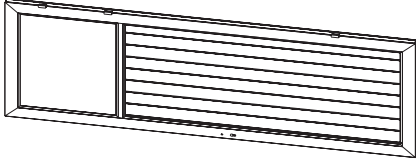
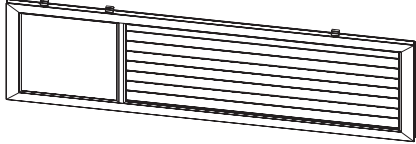






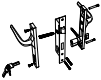

## Plastice Spare Part

REF	PICTURE	QTY
P1		24
P2		15

## Screws



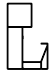
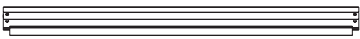




REF	PICTURE	QTY
S1	 6mm	8
S2	 6x35 4mm	8
S3	 5x19	15
S4	 5x100	12
S5	 4x16	64
S6	 10x80	8
S7	 4x60	12
S8	 8x100	15

## Door


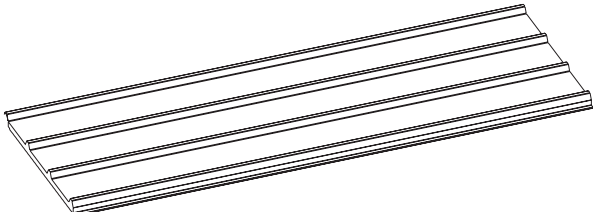

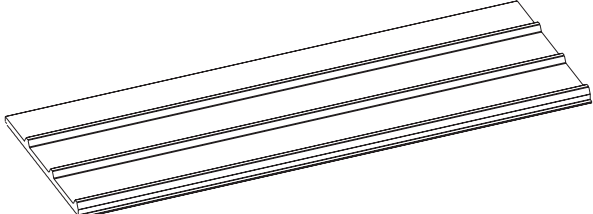
REF	PICTURE	QTY
M1		1
M2		1
M3		1
M4		1
M5		1
M6		1
T1		4
T2		4
T3		1
T4		1

# Carport Spare Part List C




## Frame

REF	PICTURE		QTY
A2		 150X150-2550	2
B2		 120X195-2910	2
E2		 120X195-5027	1
F1		 25X45-2494	4



## Roof Panel

REF	PICTURE		QTY
W1		 2895-1080	4
W2		 2895-1023	1



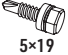

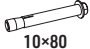
## Connector

REF	PICTURE	QTY
N1		2
N2		2
N5		2

## Plastice Spare Part

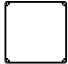
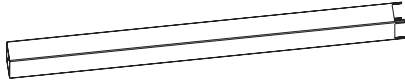
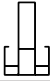

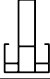



REF	PICTURE	QTY
P1		8
P2		42

## Screws


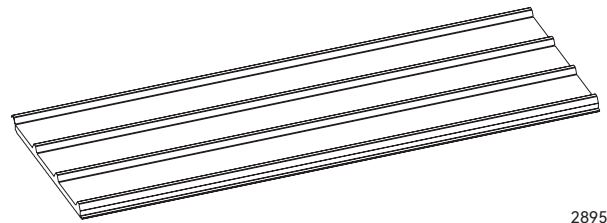

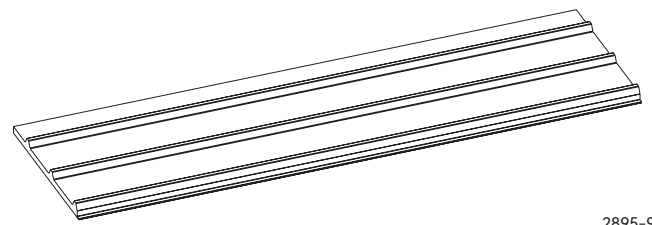
REF	PICTURE	QTY
S1	 6mm	8
S2	 6x35 4mm	8
S3	 5x19	24
S4	 5x100	30
S6	 10x80	8

# Carport Spare Part List D




## Frame

REF	PICTURE		QTY
A3		 150X150-2435	1
E1		 120X195-2910	1
E3		 120X195-1921	1
F3		 120X195-1910	2


## Roof Panel

REF	PICTURE		QTY
W1		 2895-1080	1
W3		 2895-932	1


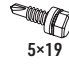


## Connector

REF	PICTURE	QTY
N1		1
N2		1
N6		1

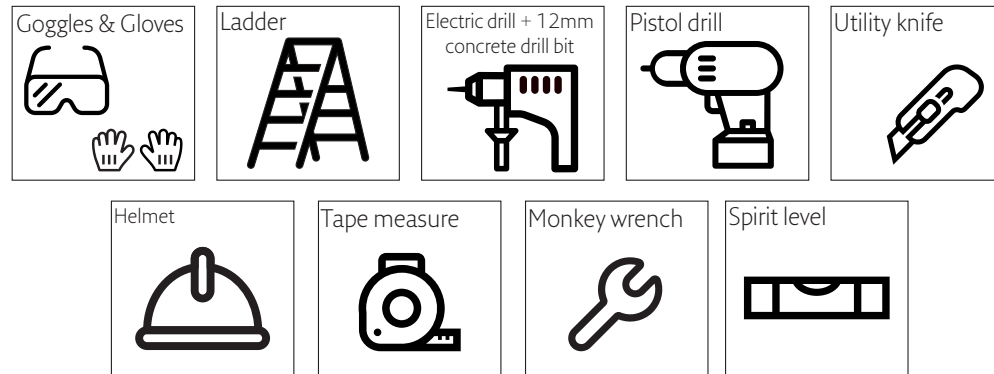
## Plastice Spare Part

REF	PICTURE	QTY
P2		15

## Screws

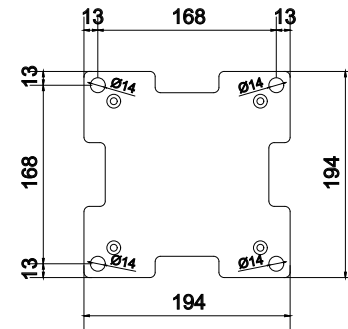
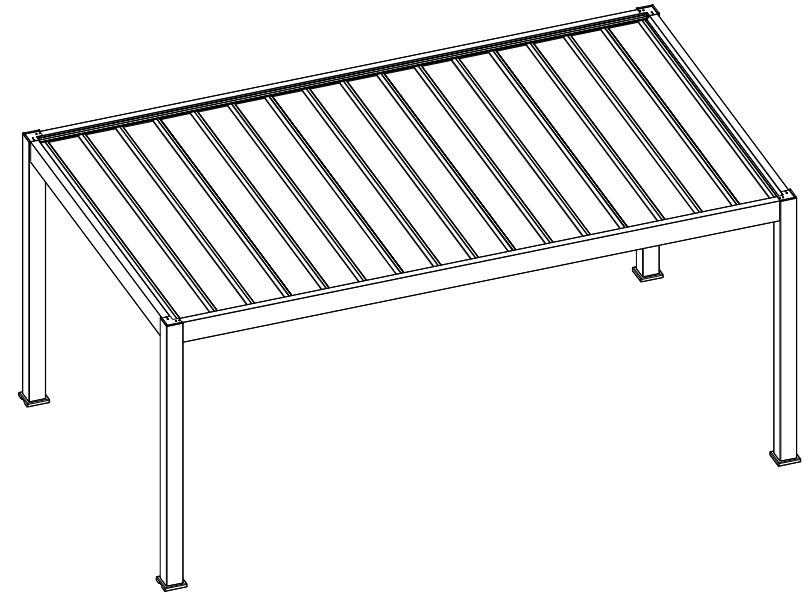
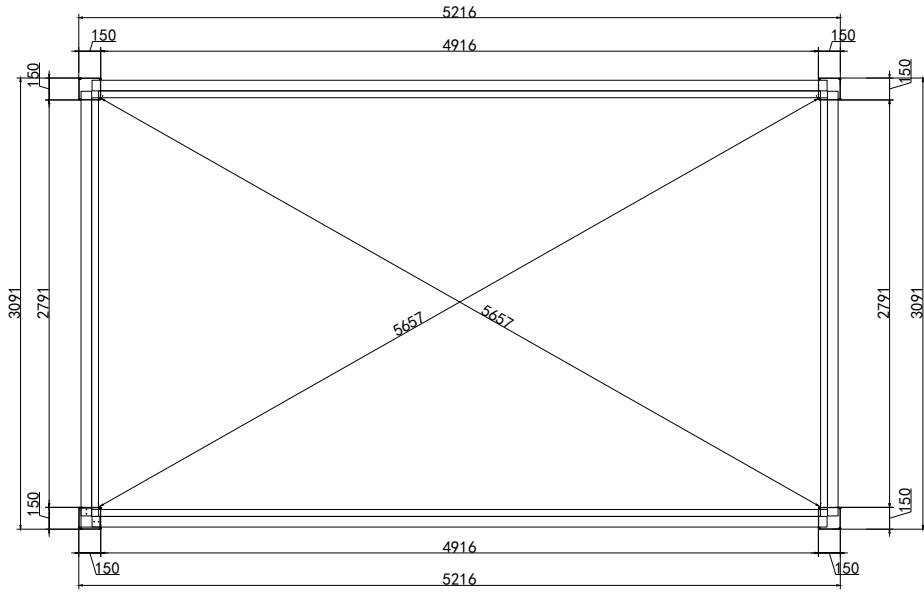
REF	PICTURE	QTY
S2	 6x35 4mm	4
S3	 5x19	11
S4	 5x100	12
S6	 10x80	4

## NECESSARY TOOLS AND SAFETY GEAR (NOT SUPPLIED)

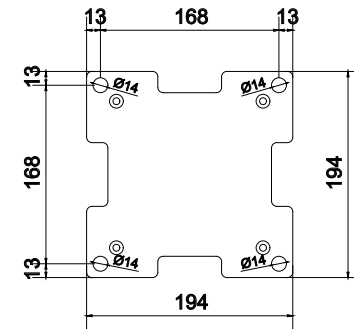
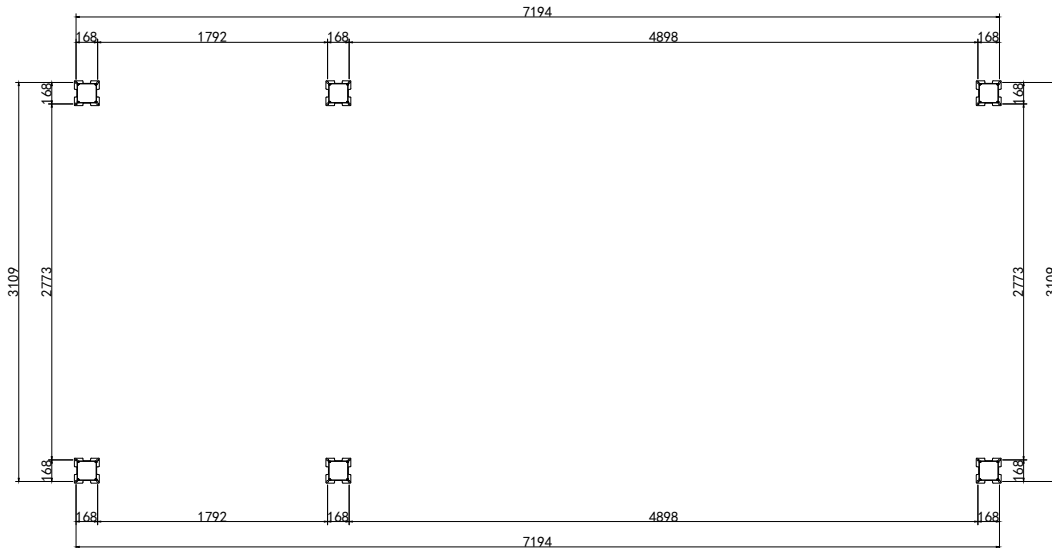
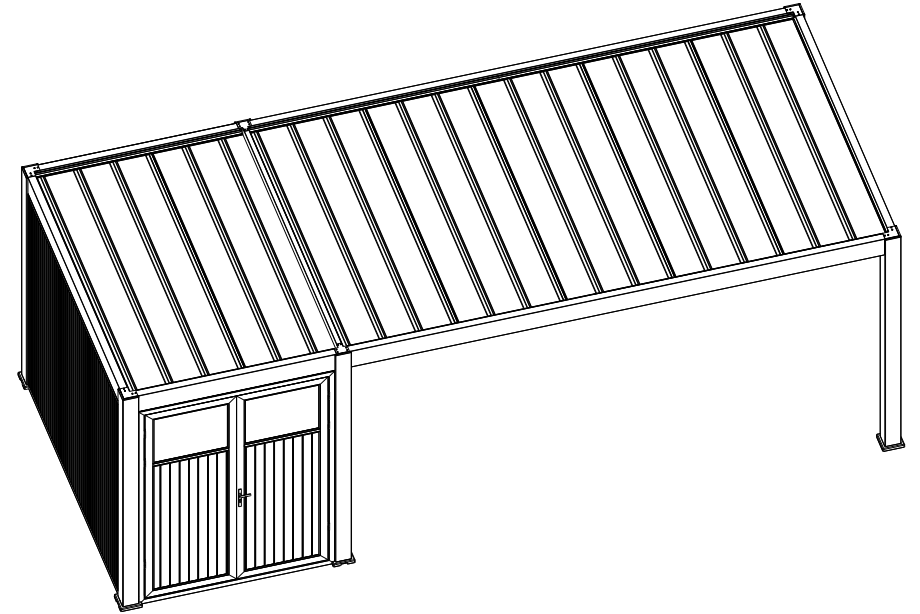
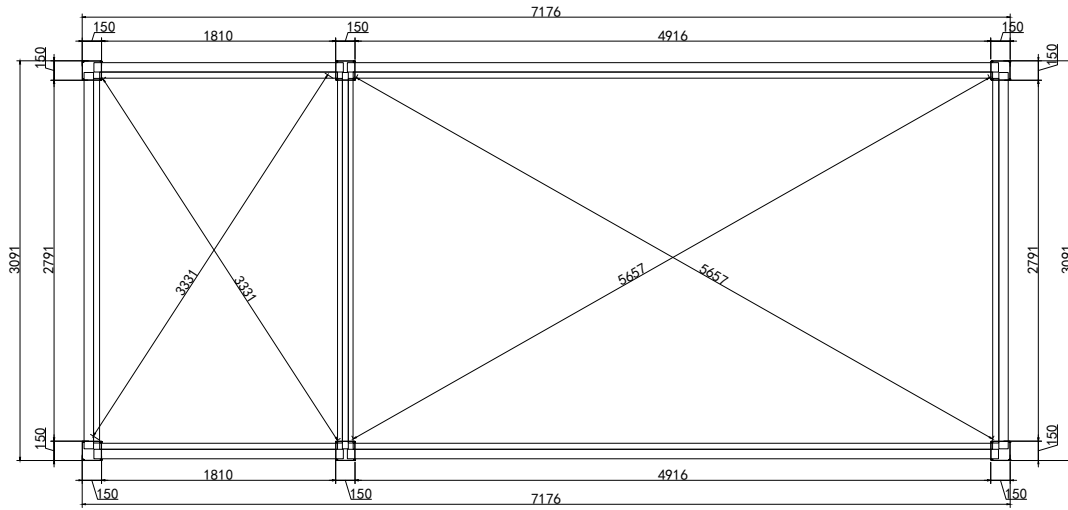


These instructions have to be saved during the whole product life cycle. We advise you to read these very carefully before proceeding to the assembly. The user will be reliable for any damages or injuries caused due to incorrect or improper installation.

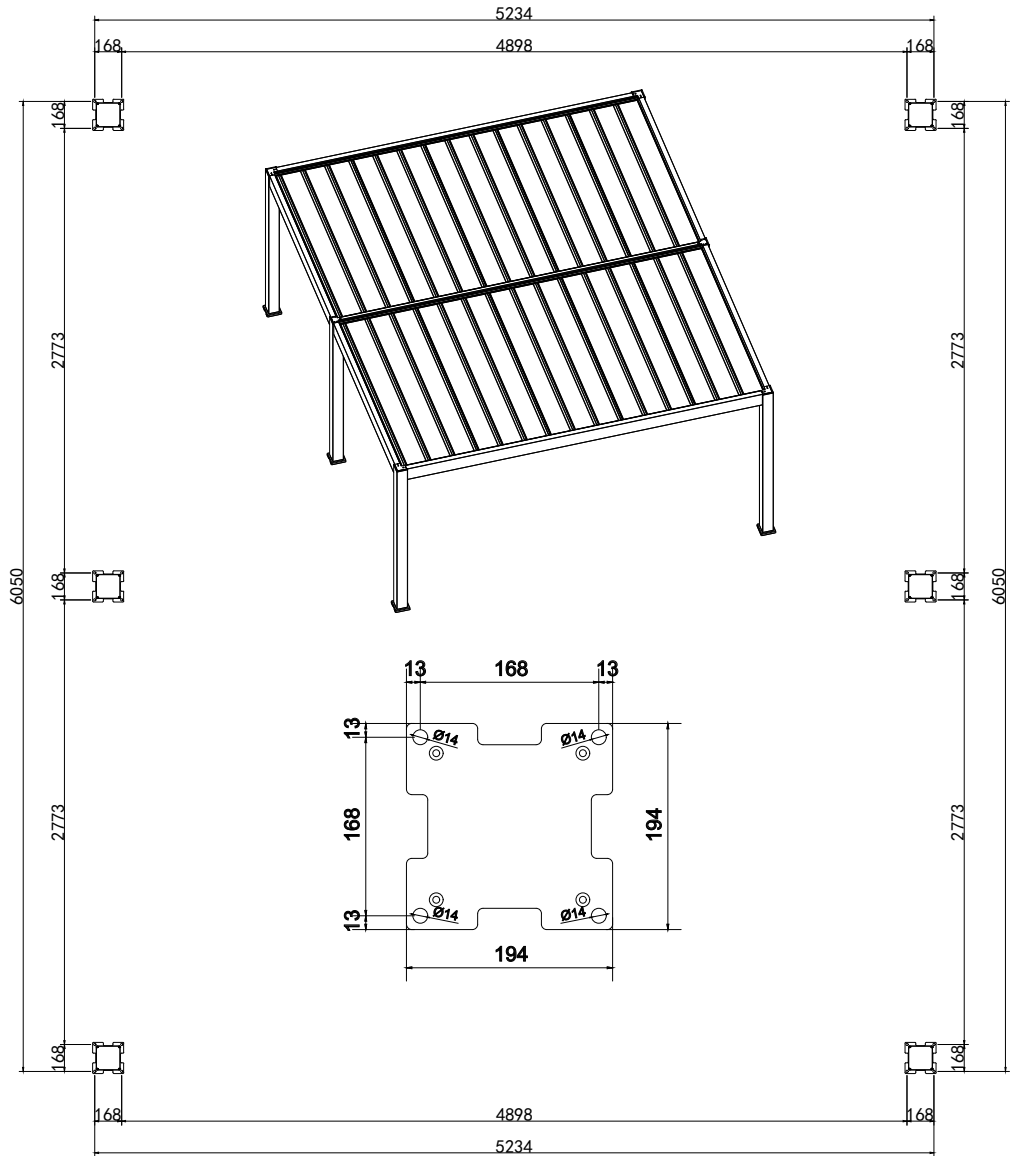
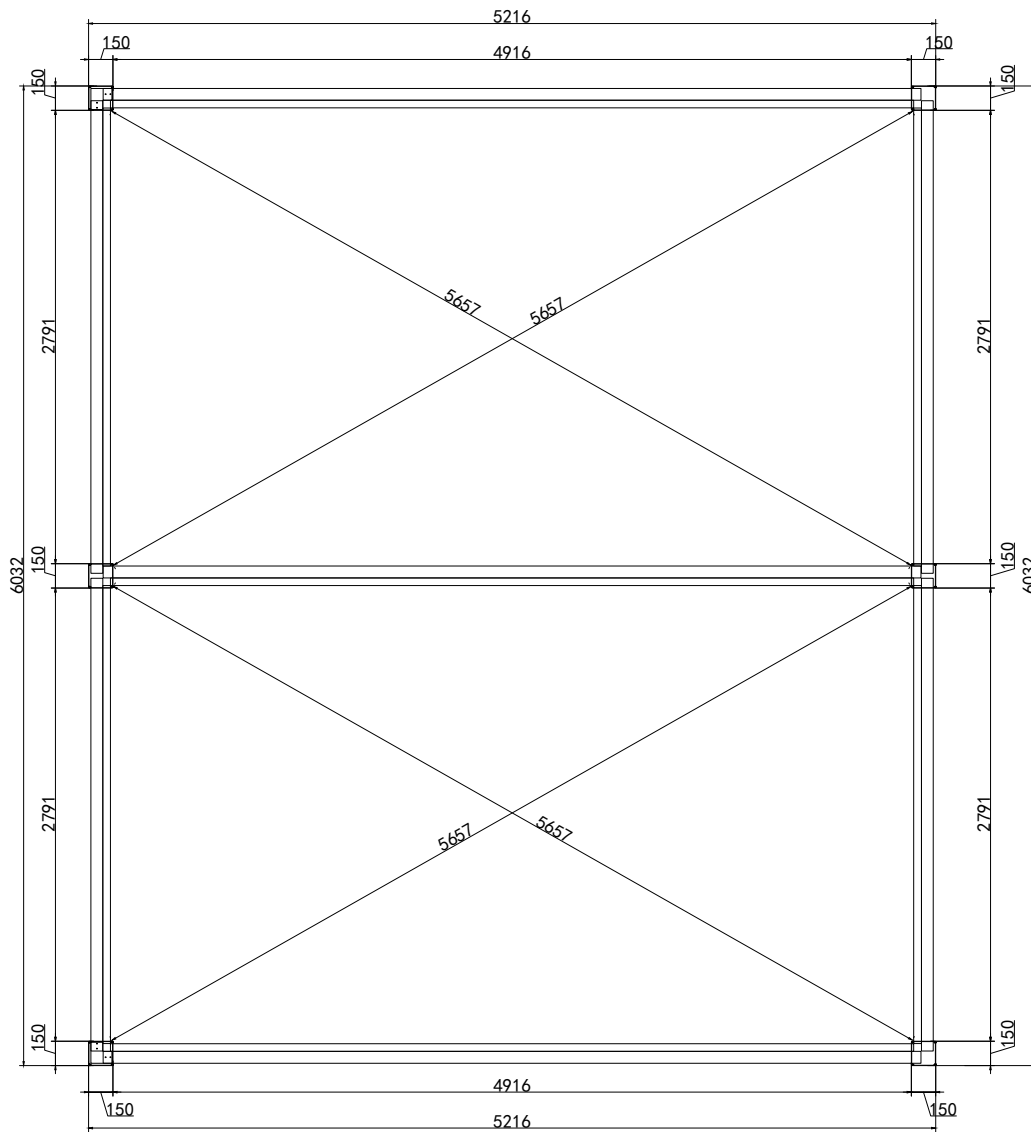
# Carport Spare Part List A



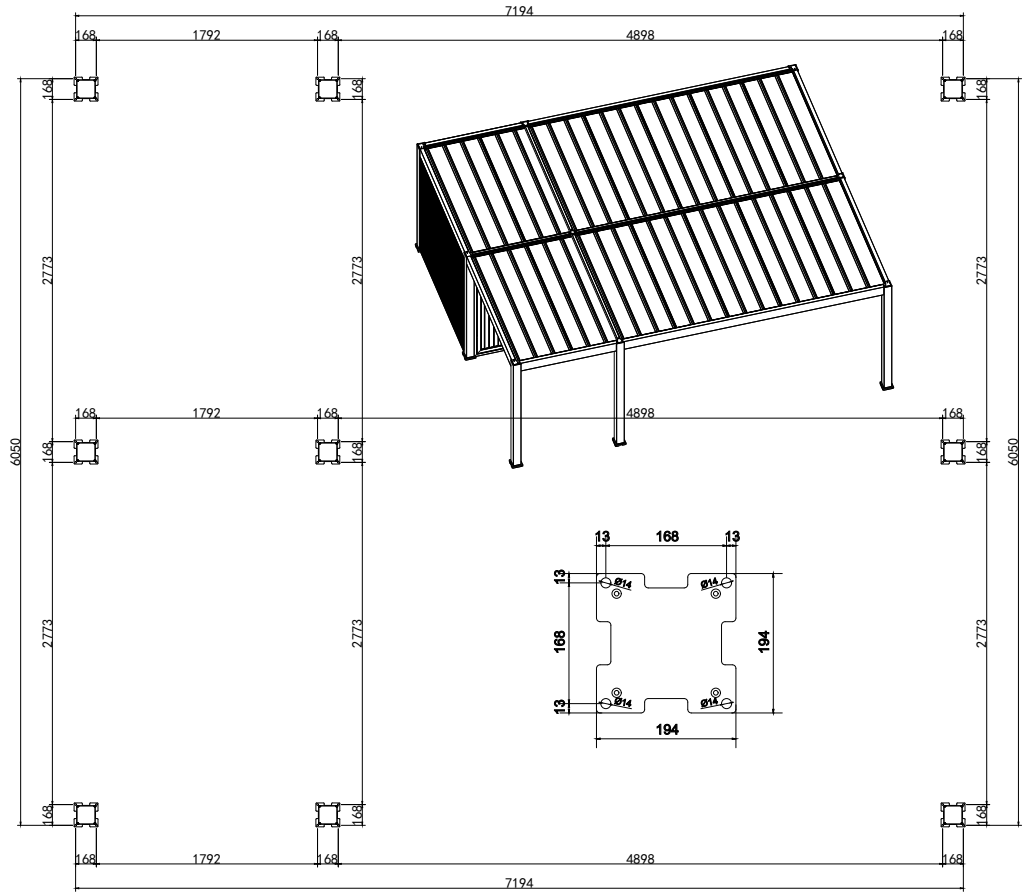
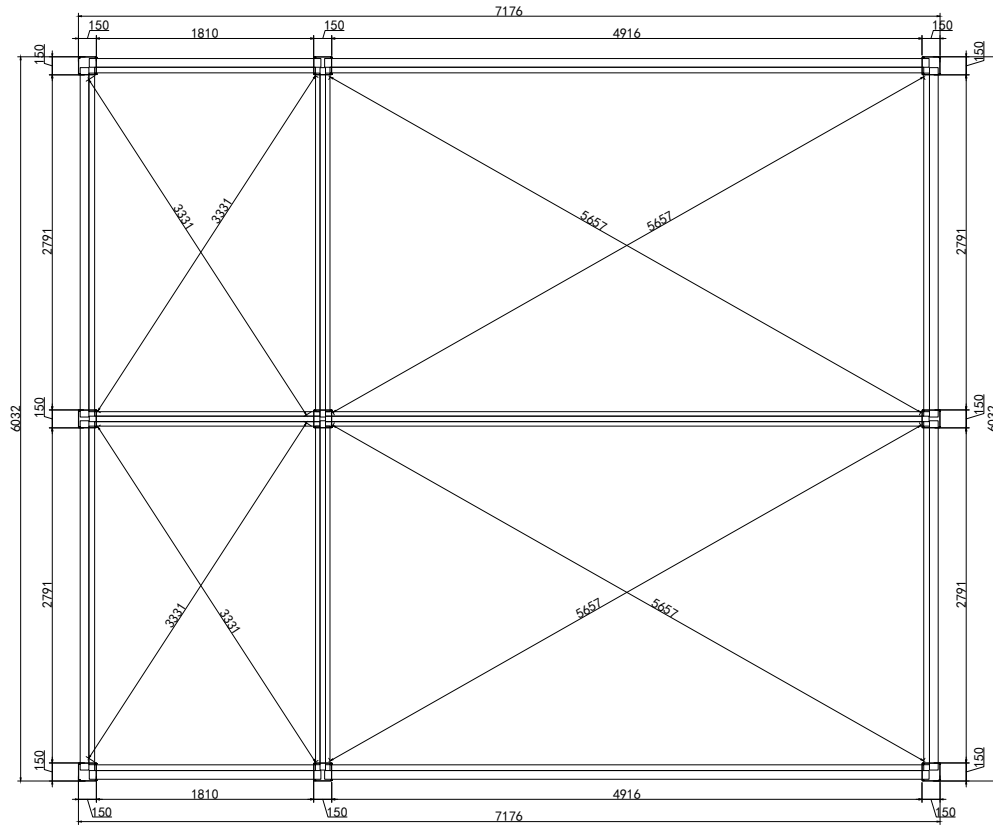
# Carport Spare Part List B



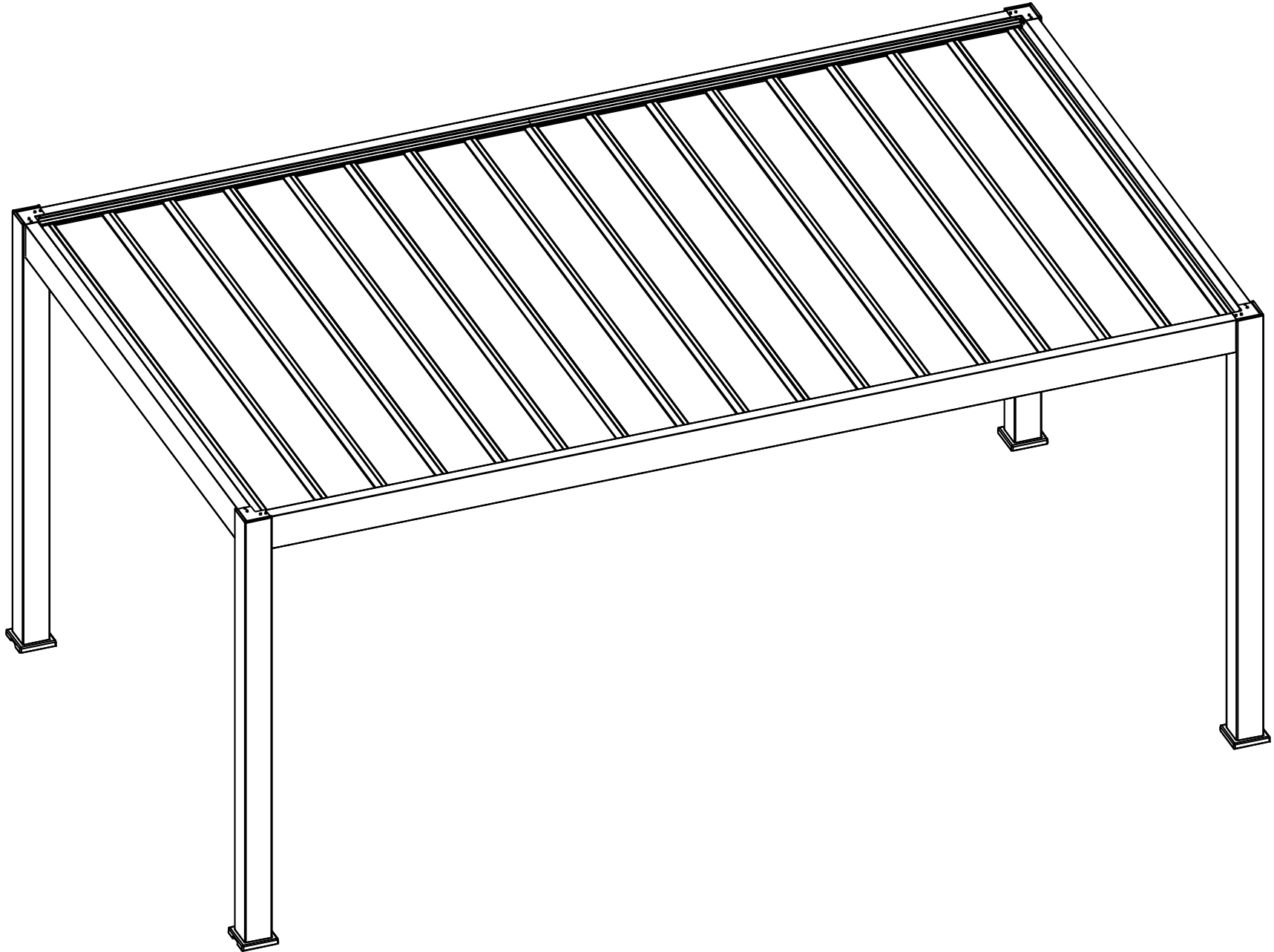
# Carport Spare Part List C



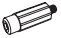



# Carport Spare Part List D

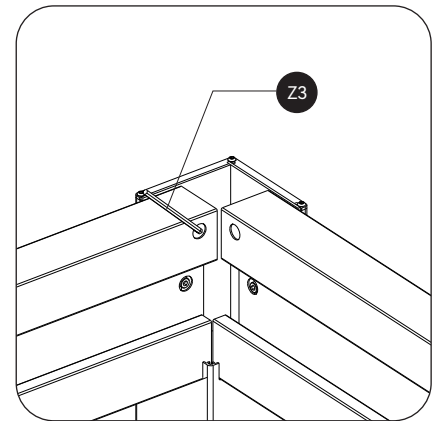
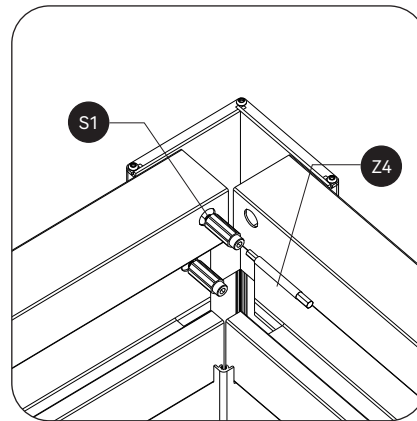
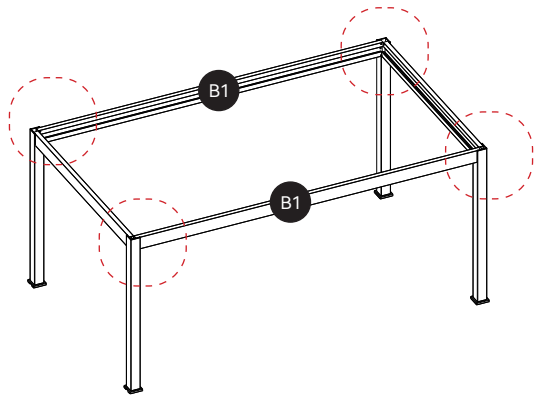
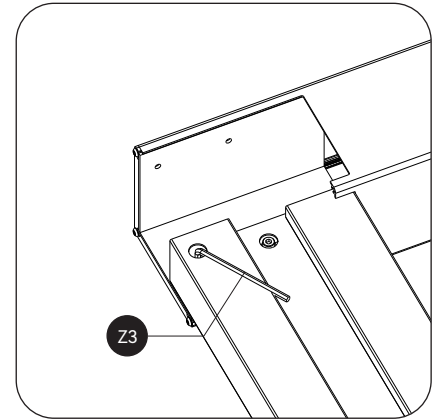
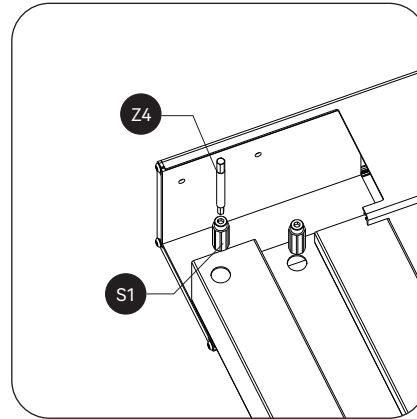
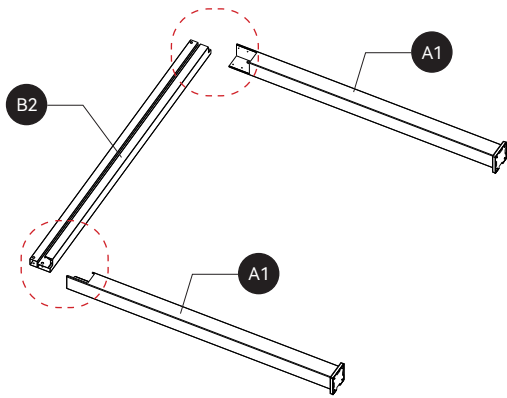
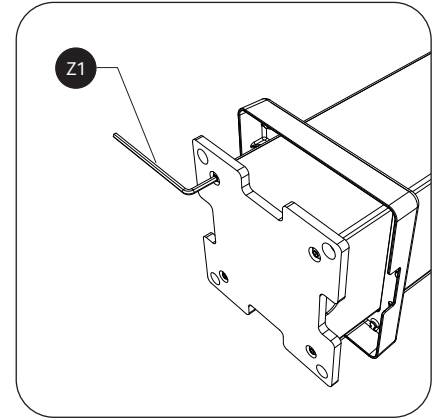
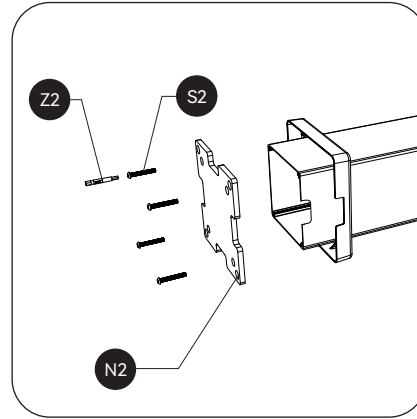
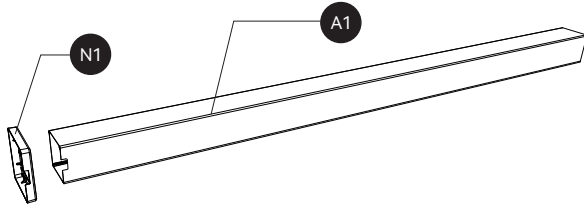


# Combination A






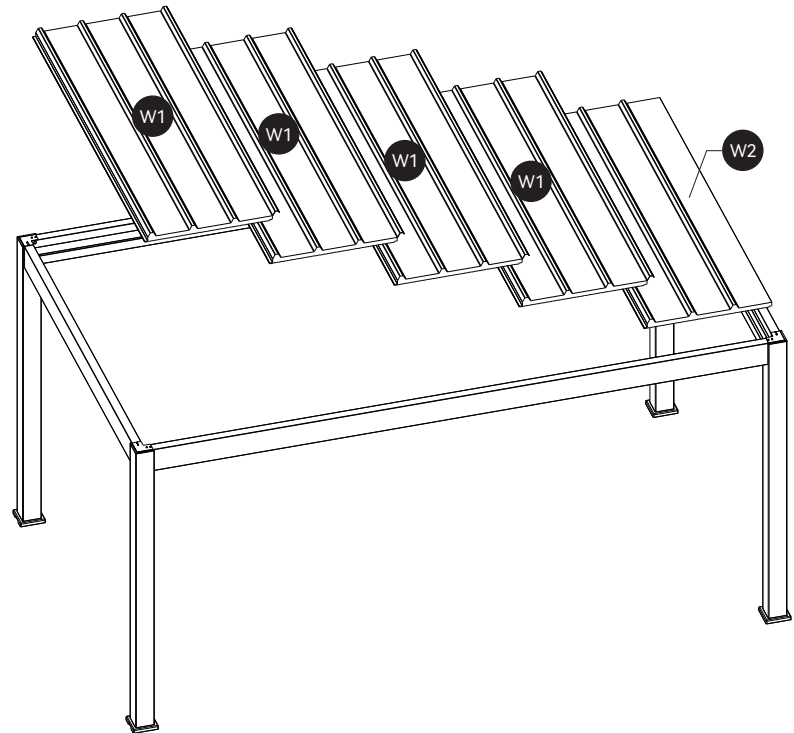
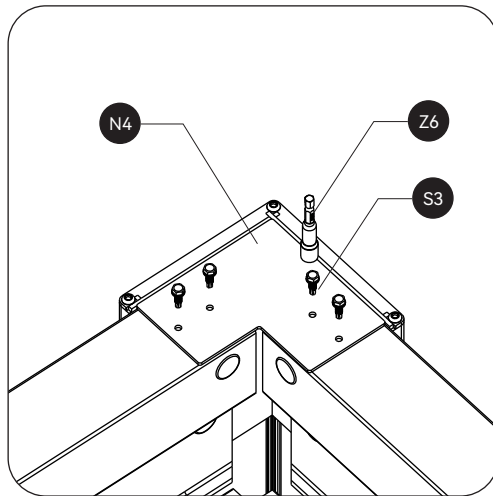
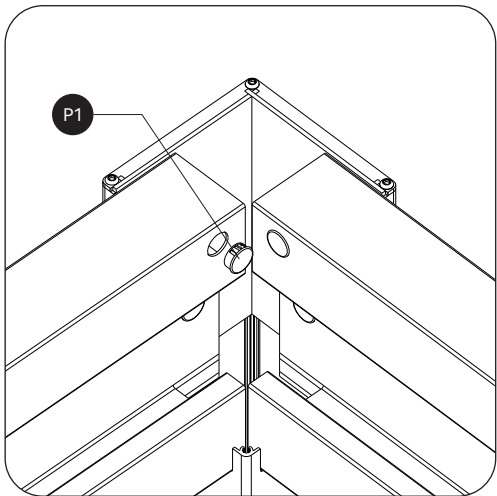
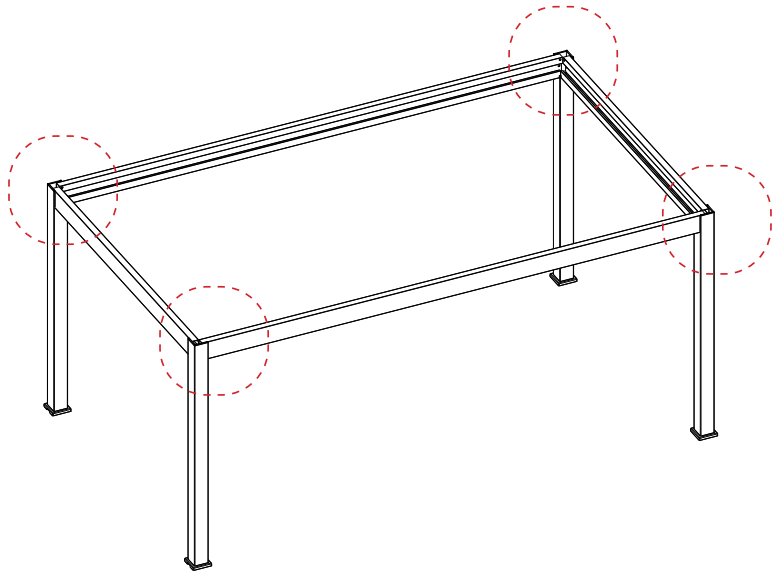
# Combination A

S1		16
S2		16
N1		4
N2		4





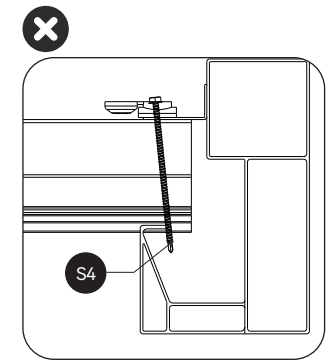
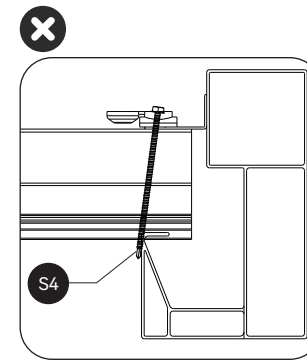
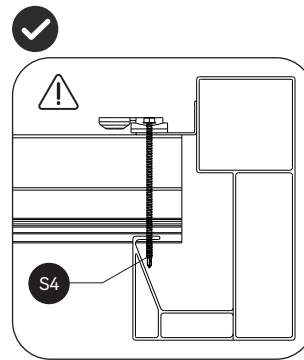
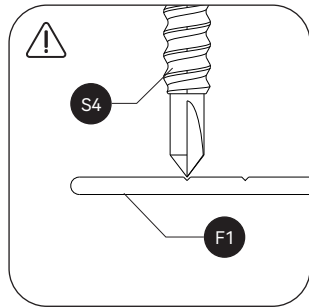
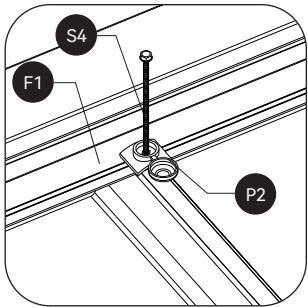
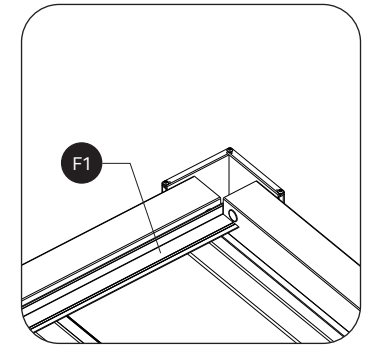
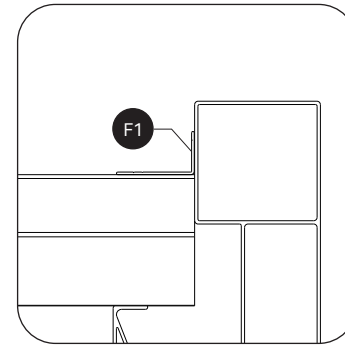
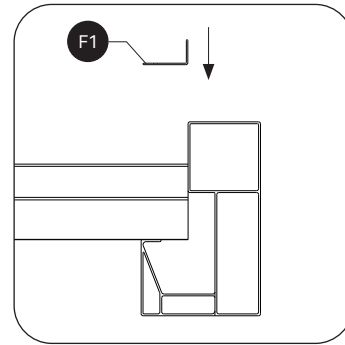
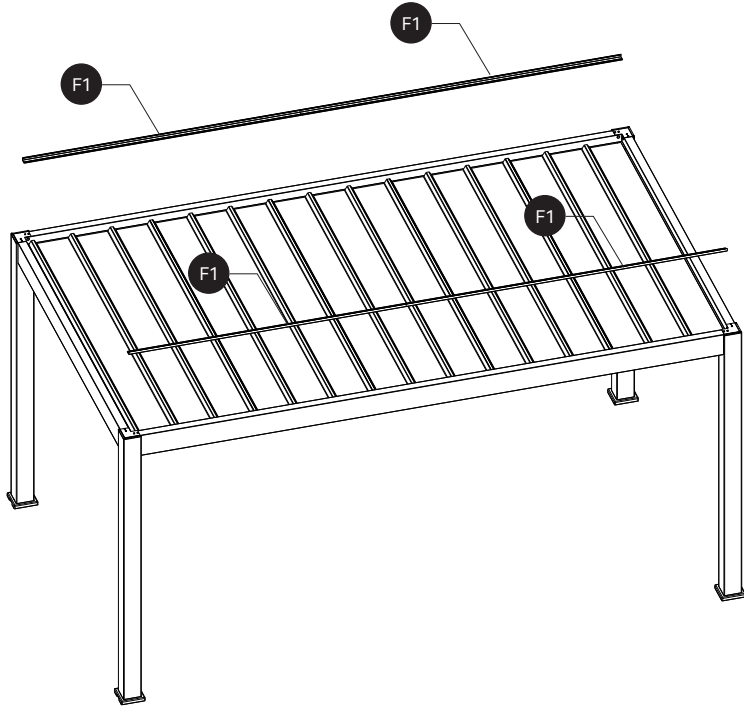
# Combination A

P1		16
S3		16
N4	 5x19	4





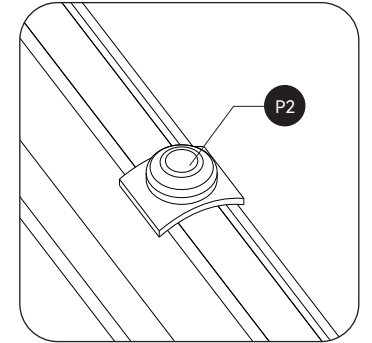
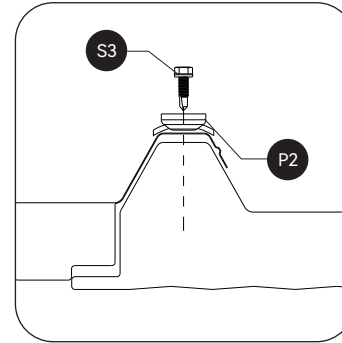
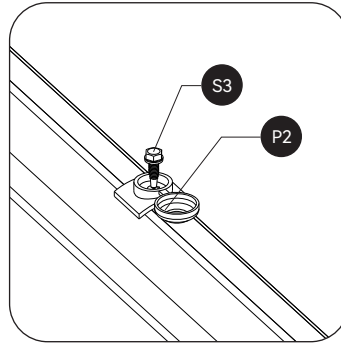
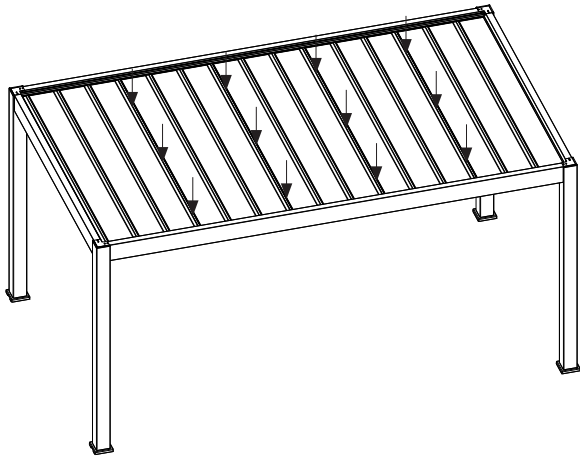
# Combination A


P2		30
S4		30

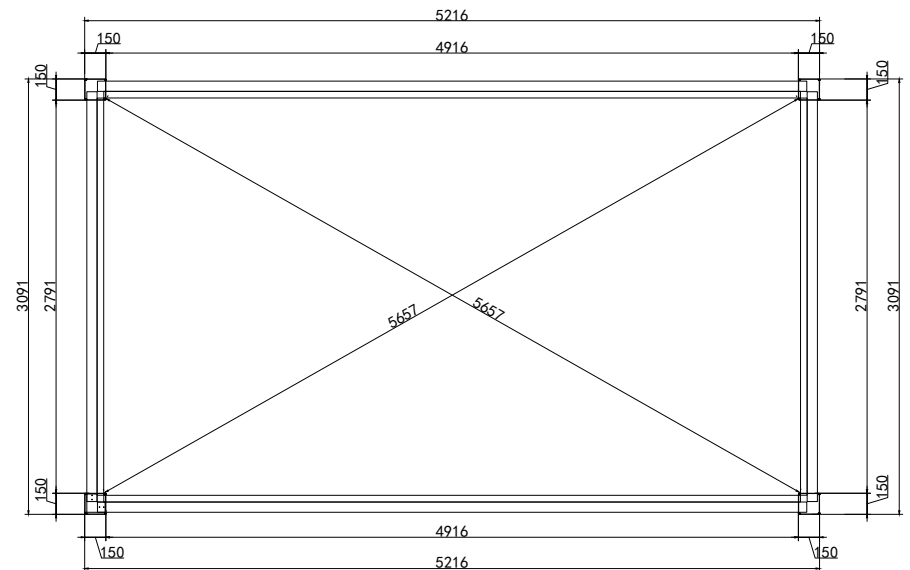
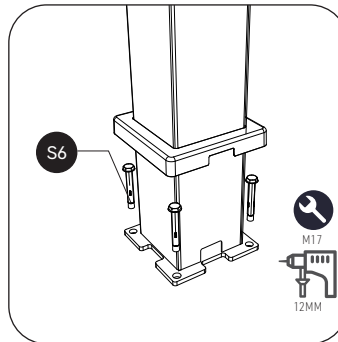
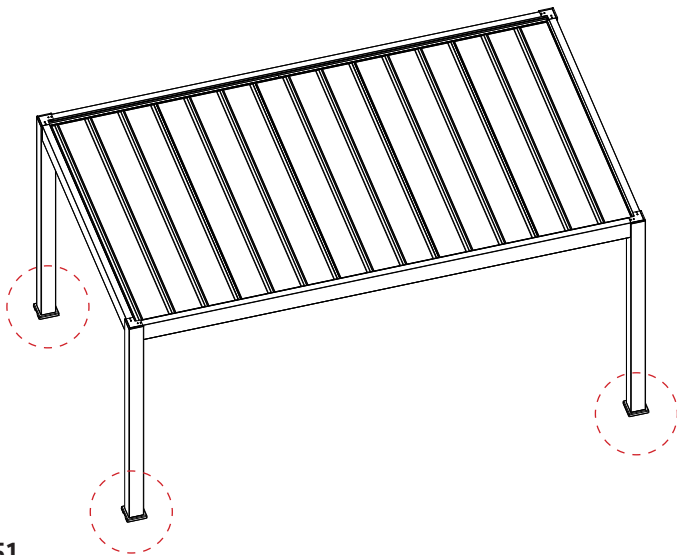


# Combination A

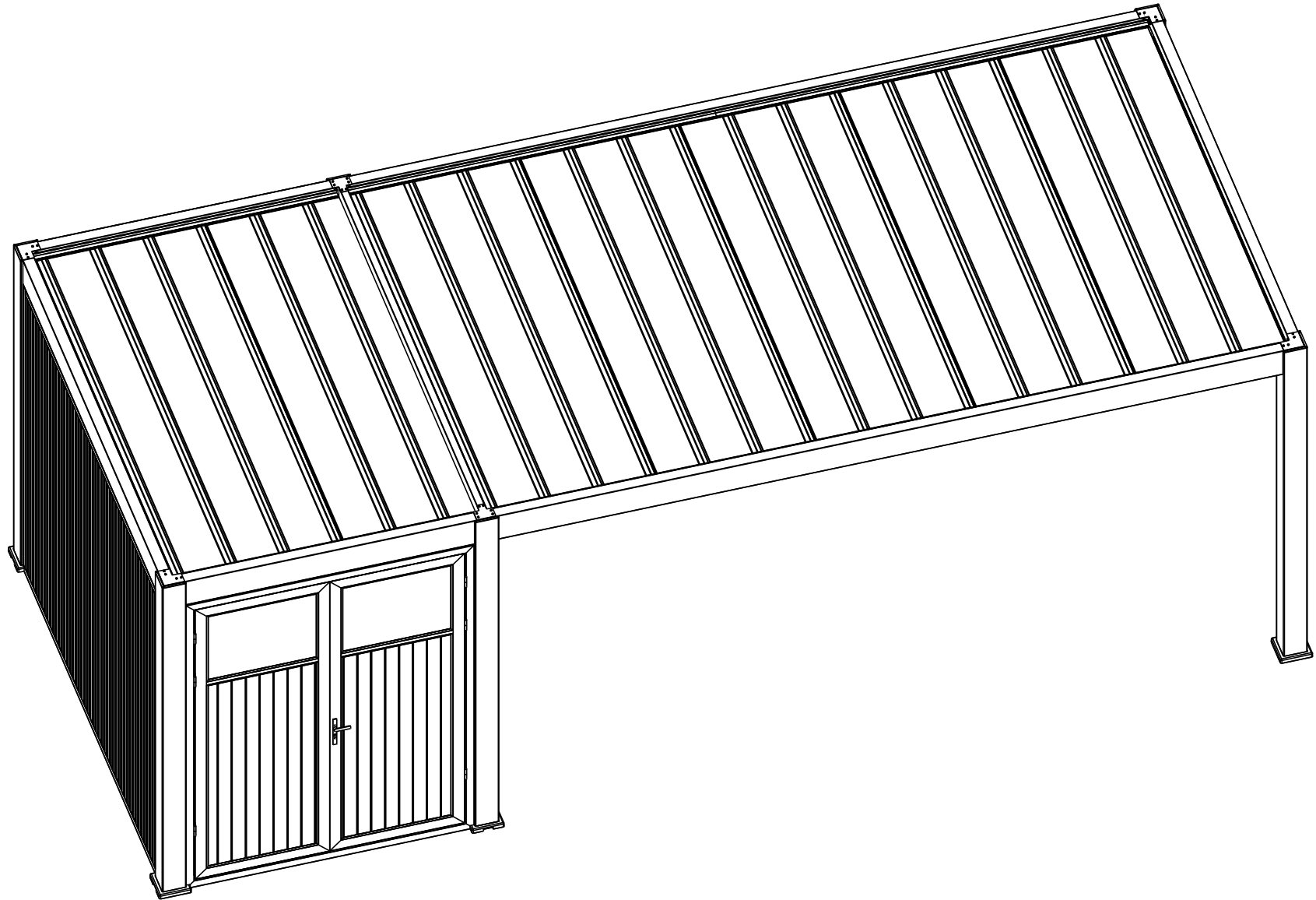
S3	 5x19	12
P2		12







S6		16
----	-----------------------------------------------------------------------------------	----

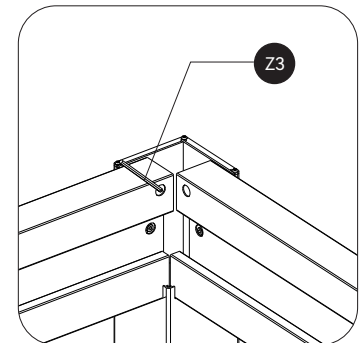
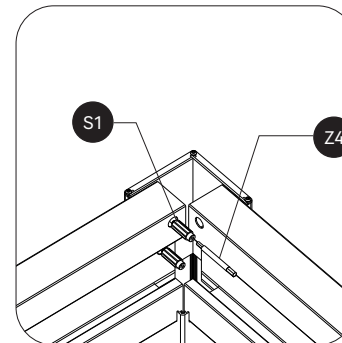
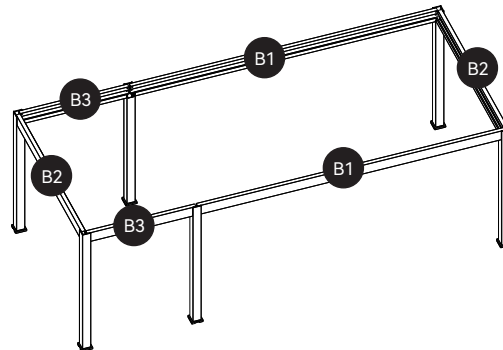
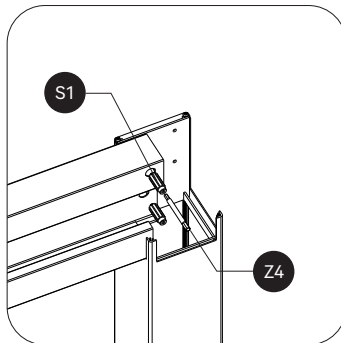
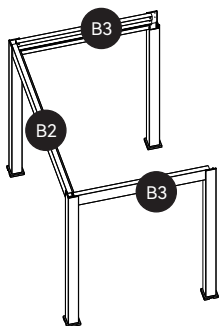
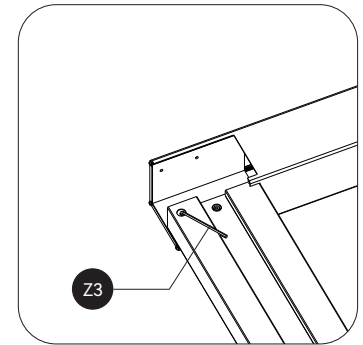
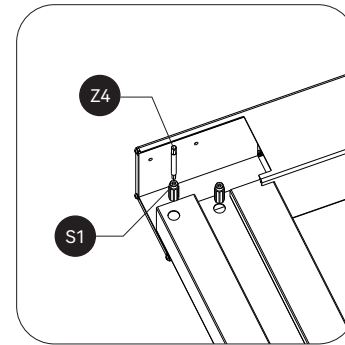
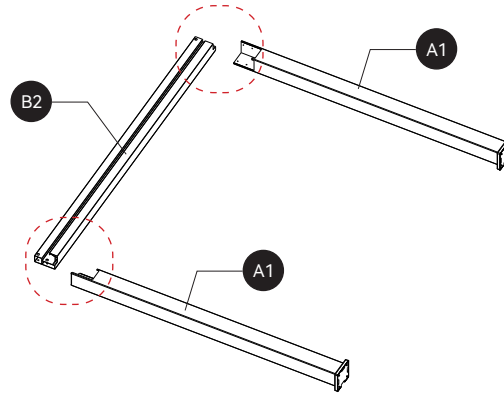
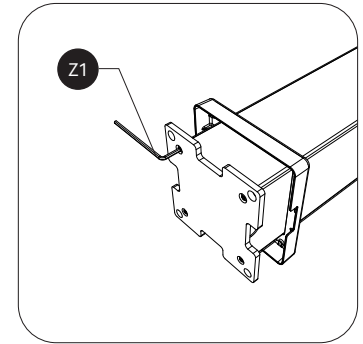
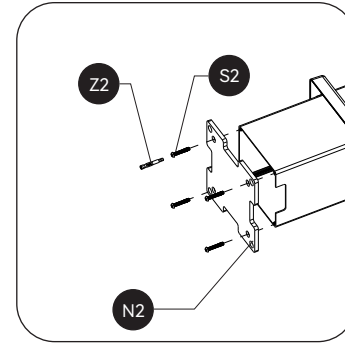
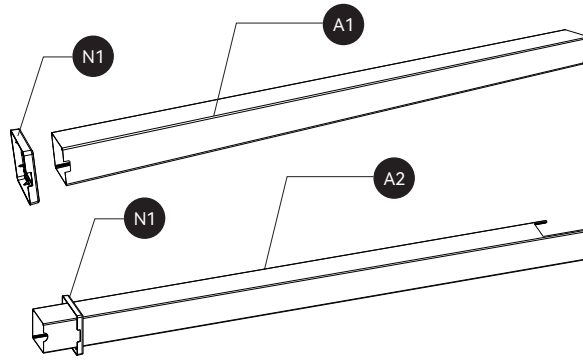


# Combination A+B



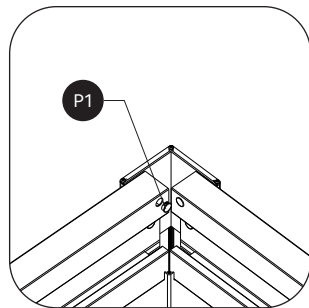
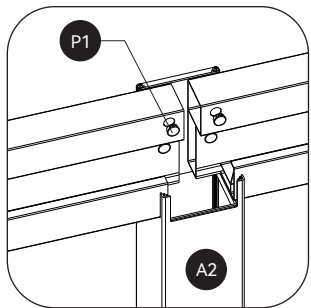
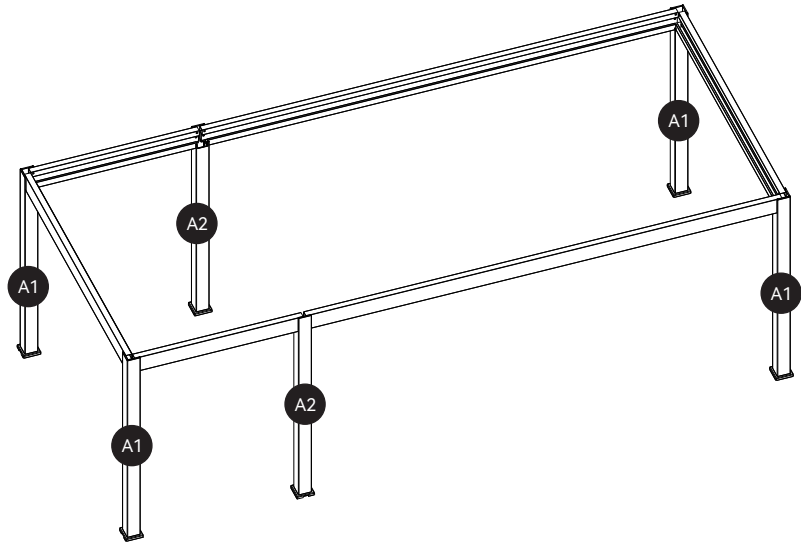
# Combination A+B




S1		24
S2	 6x35	24
N1		6
N2		6

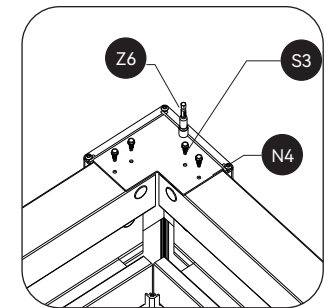
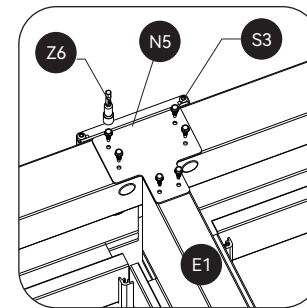
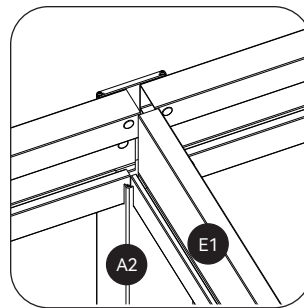
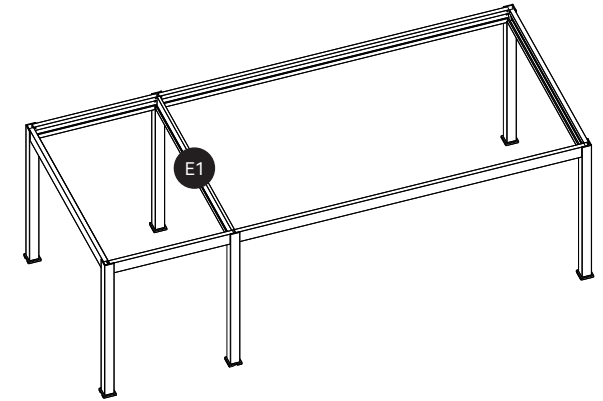
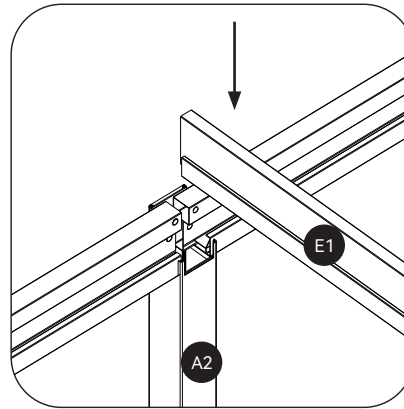


# Combination A+B

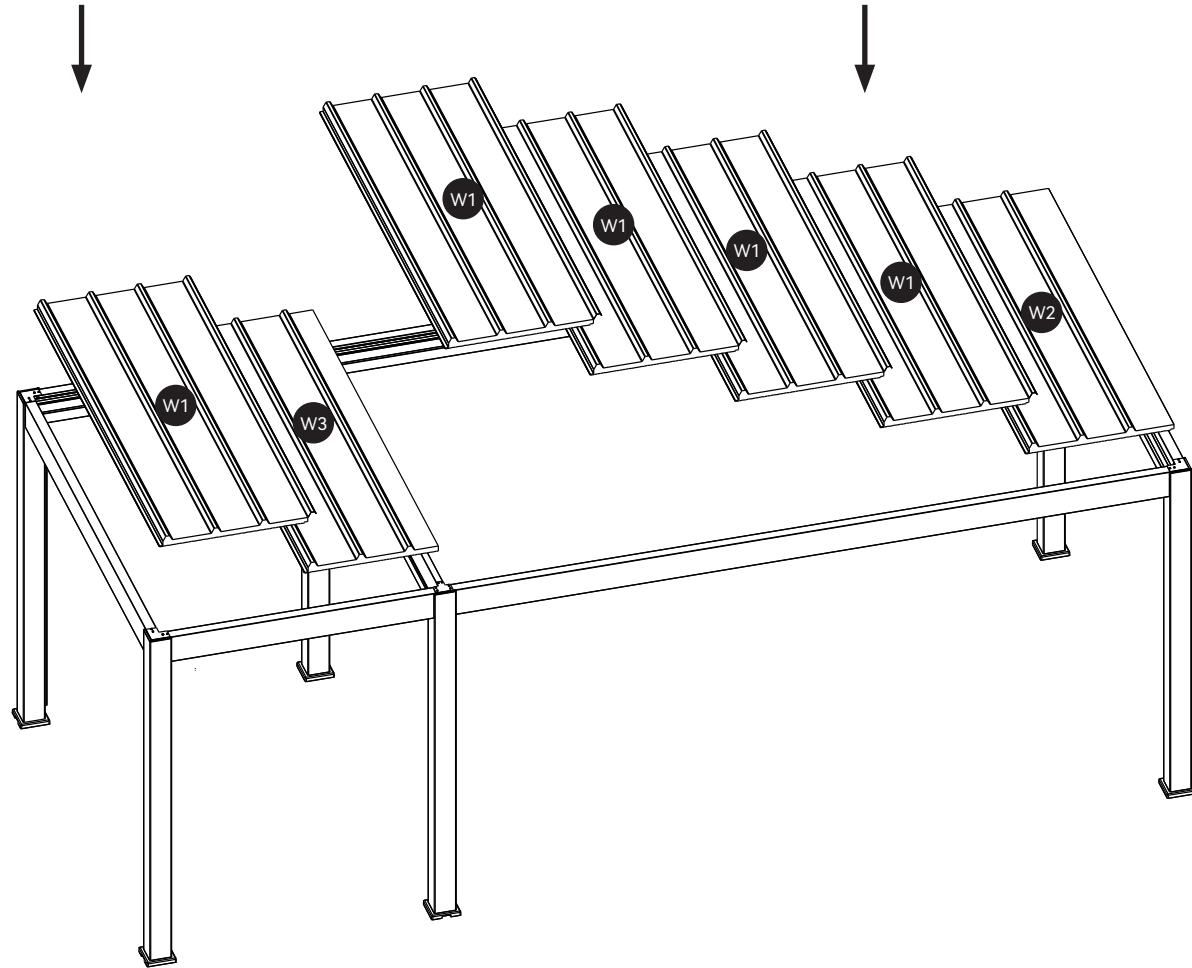
P1		24
----	-----------------------------------------------------------------------------------	----





S3	 5x19	24
N4		4
N5		2

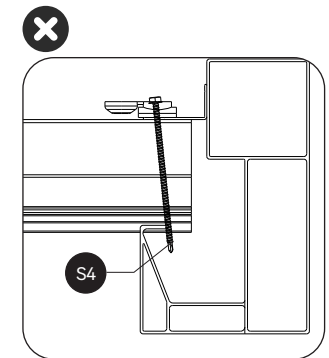
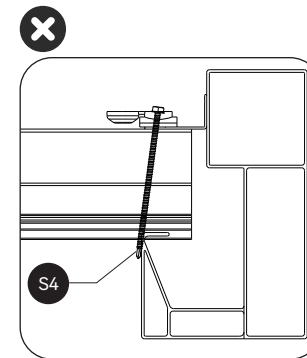
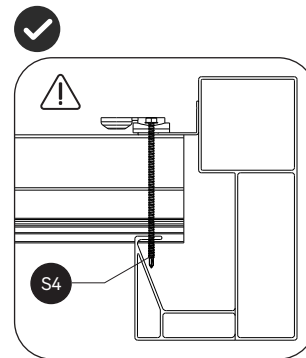
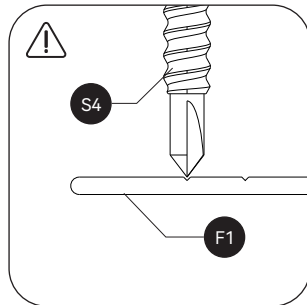
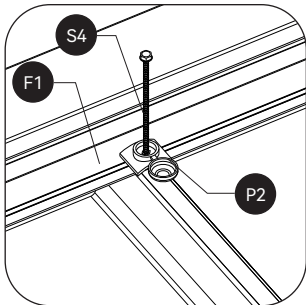
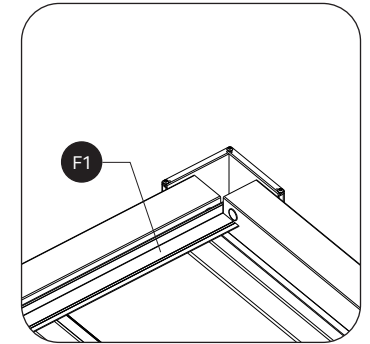
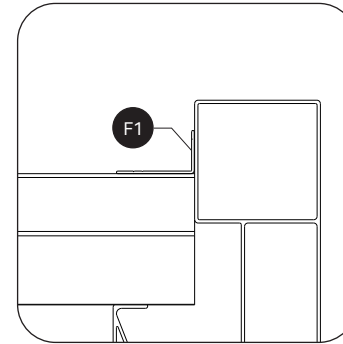
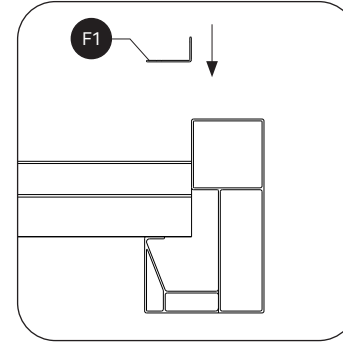
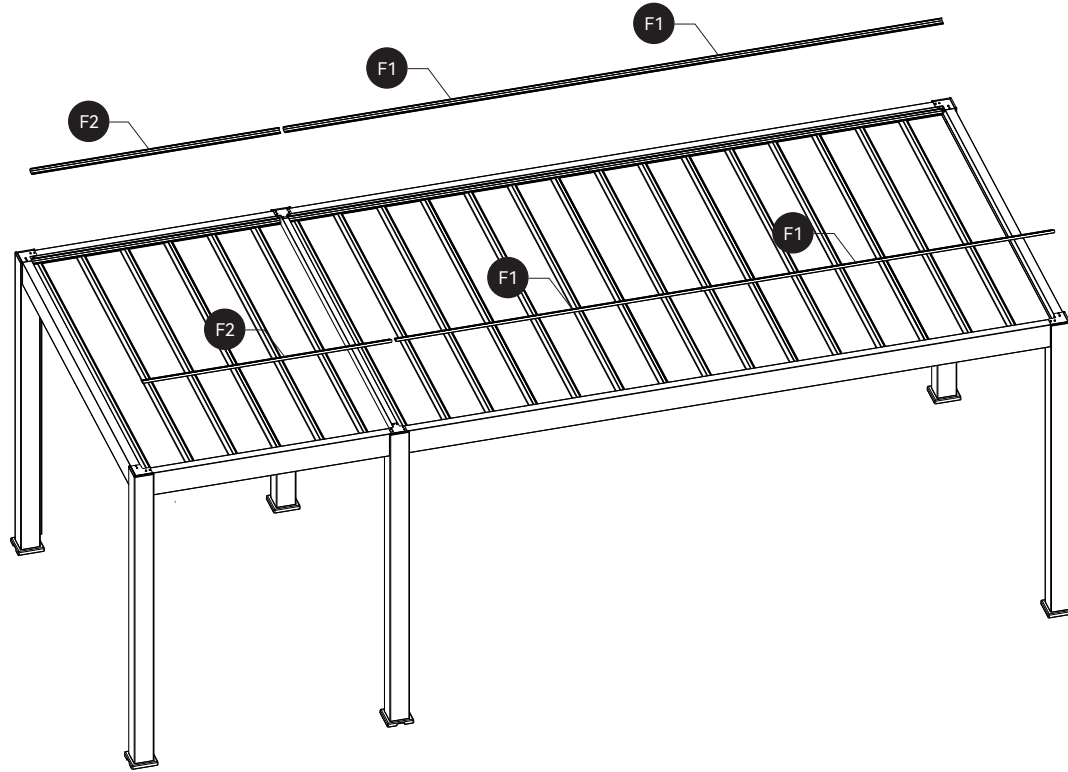


# Combination A+B



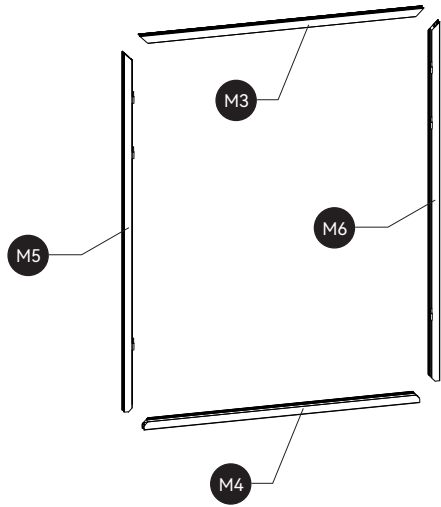
# Combination A+B



P2		42
S4		42

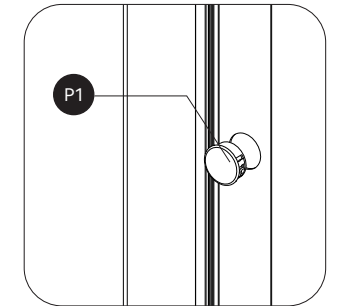
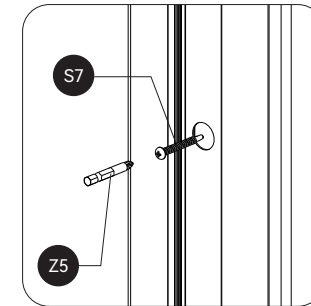
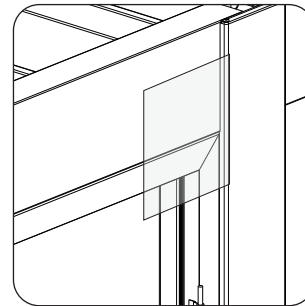
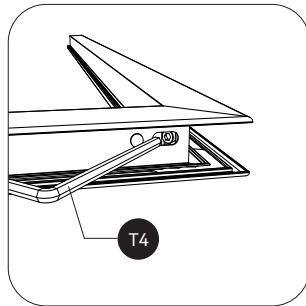
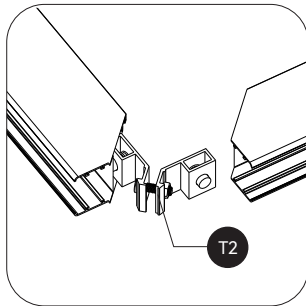
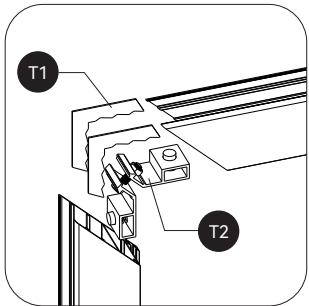
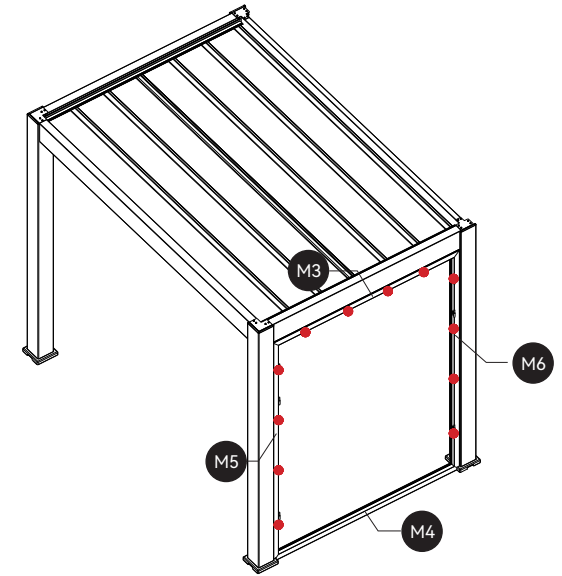
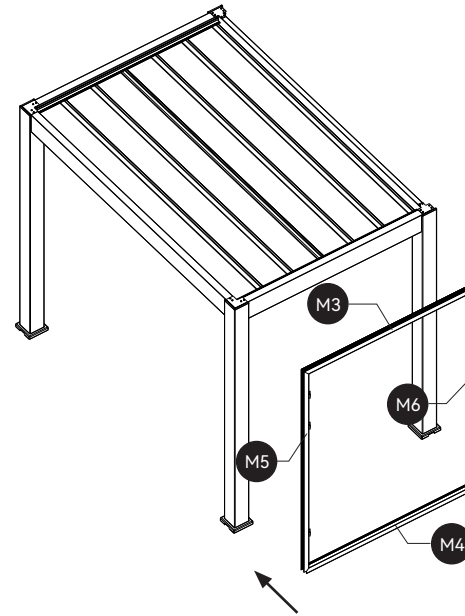






# Combination A+B

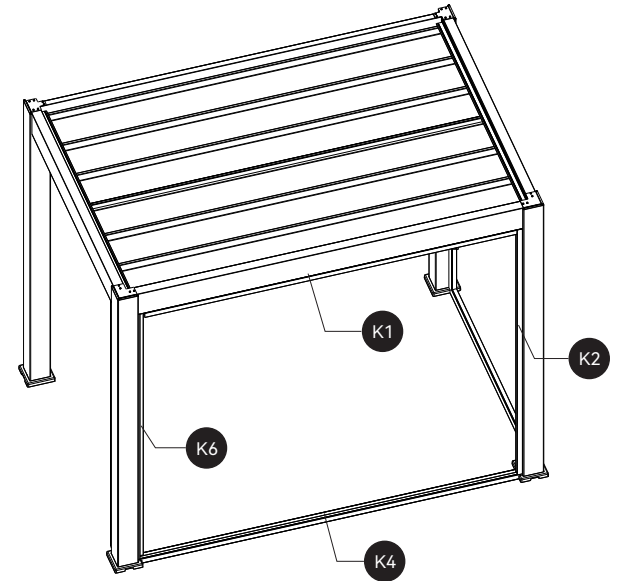
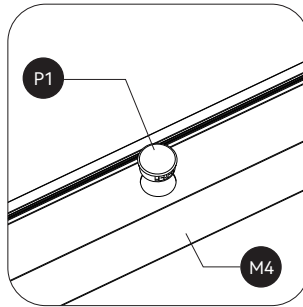
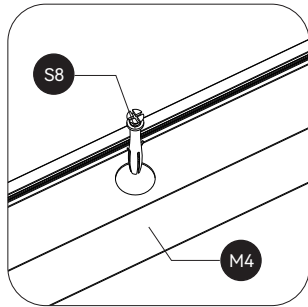
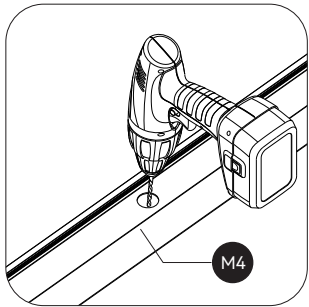
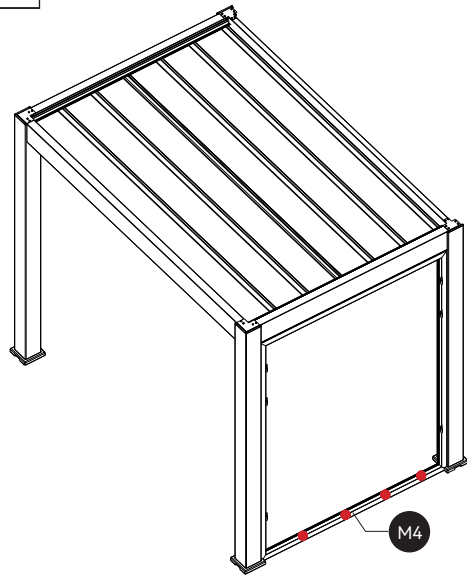


P1		12
S5		12

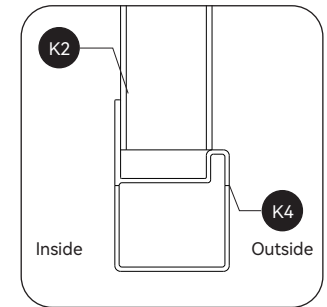
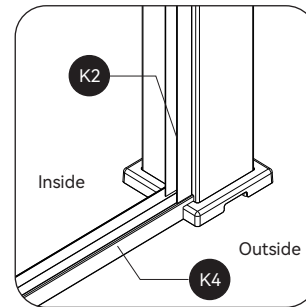
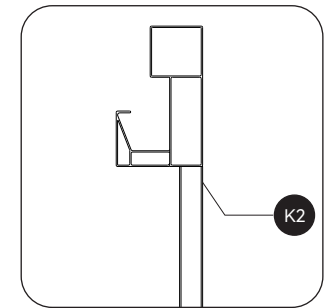
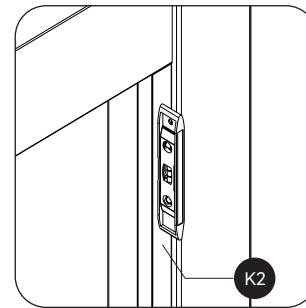


# Combination A+B



P1		4
S5	 4x16	4

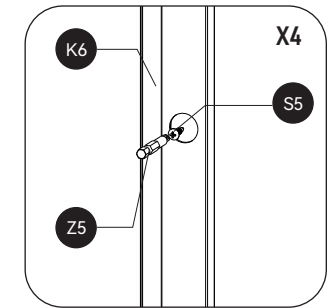
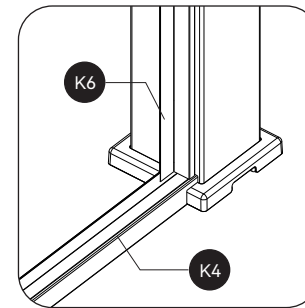
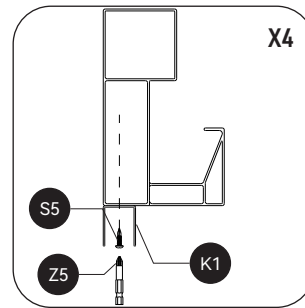
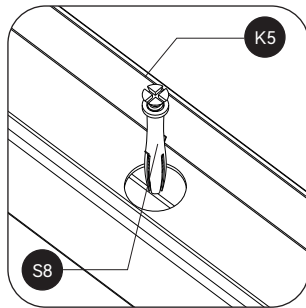
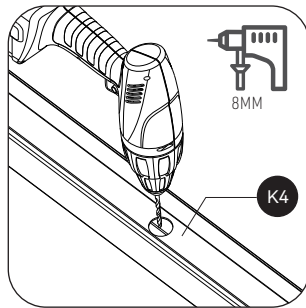
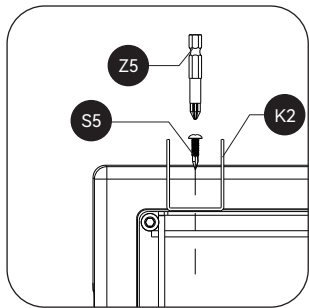
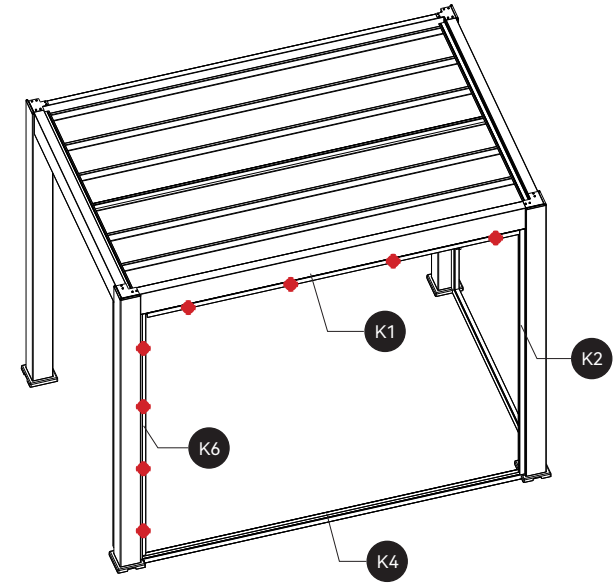
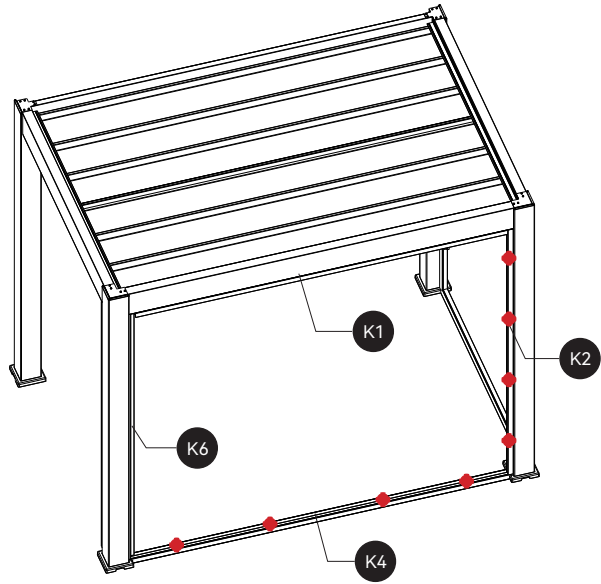


Install K2 and K4 first, taking care that K2 is flush with the outside of the beam.



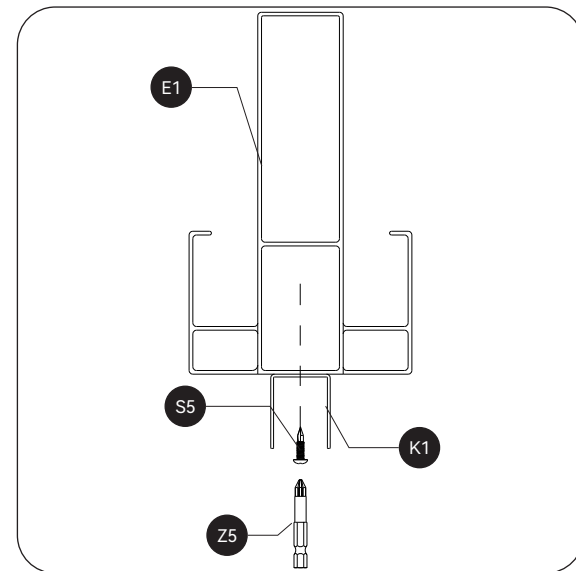
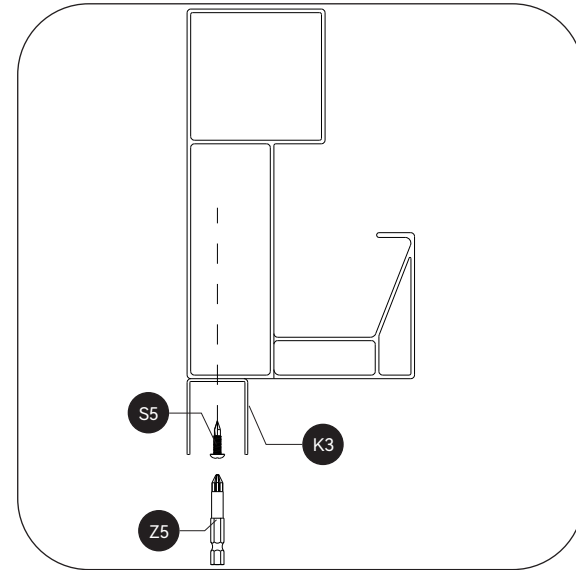
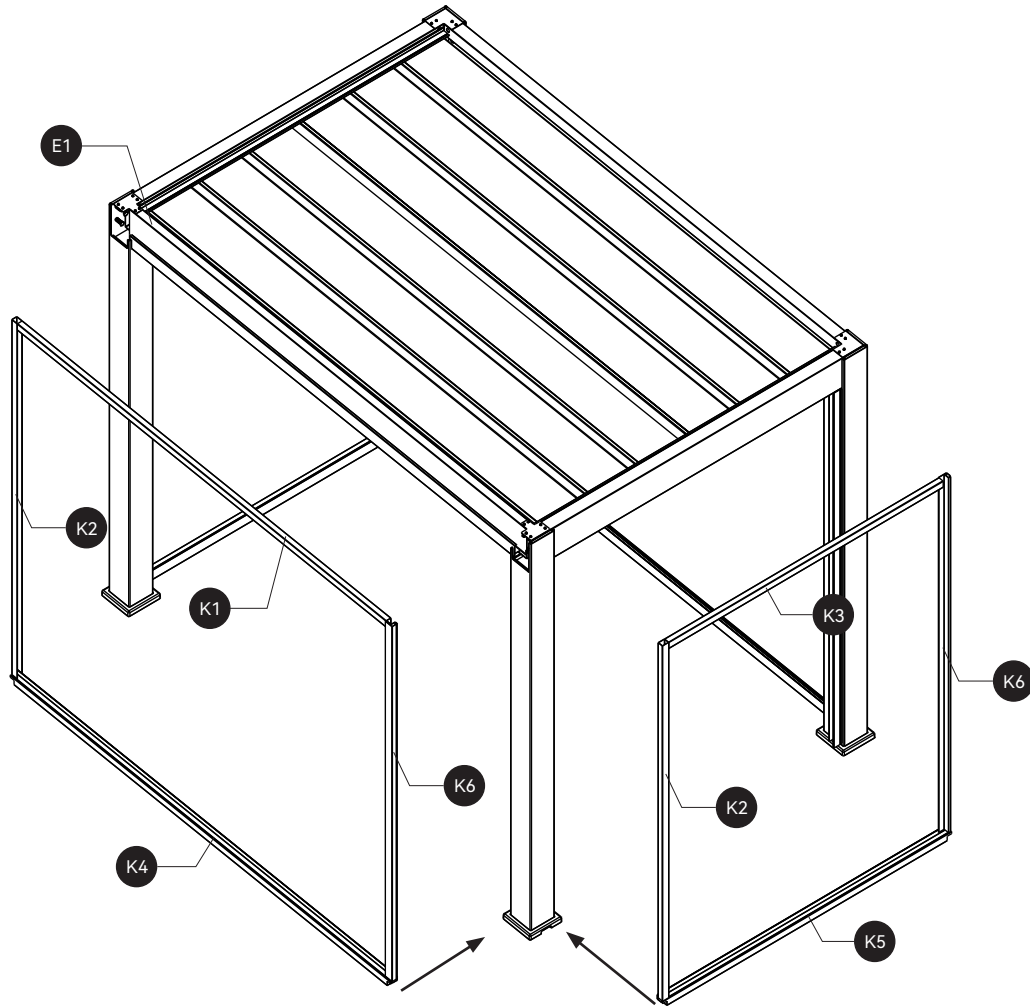
# Combination A+B

S5	 4x16	12
S8	 8x100	4



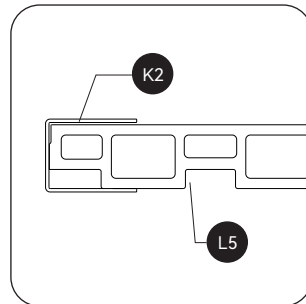
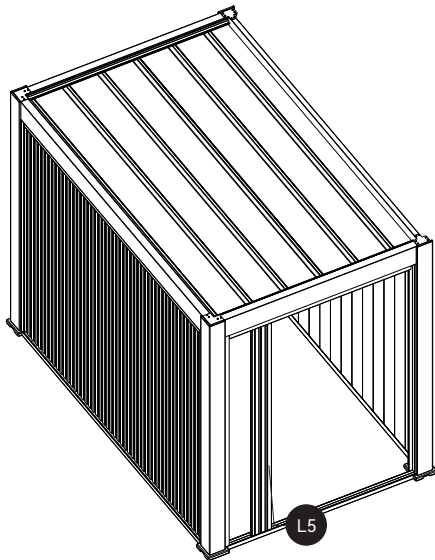
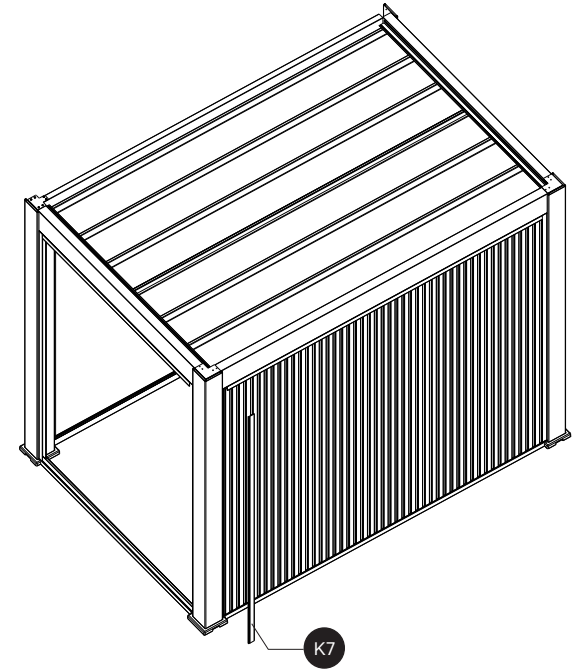
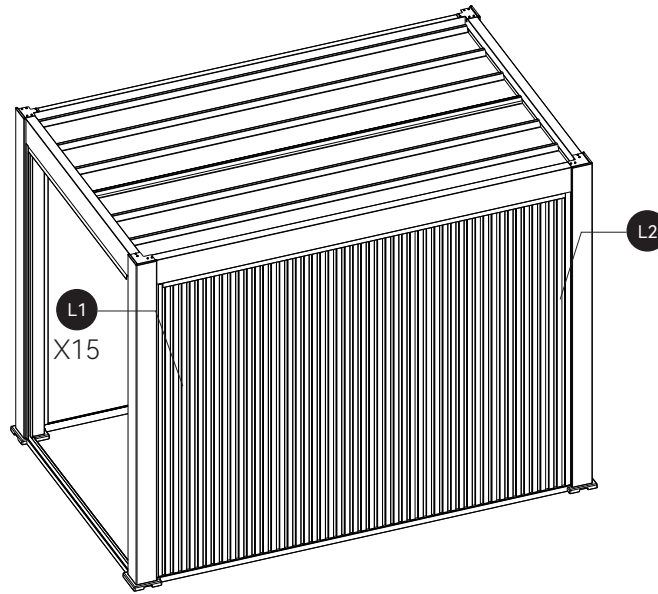
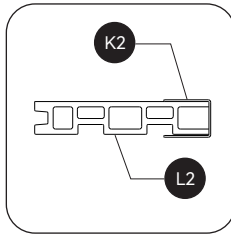
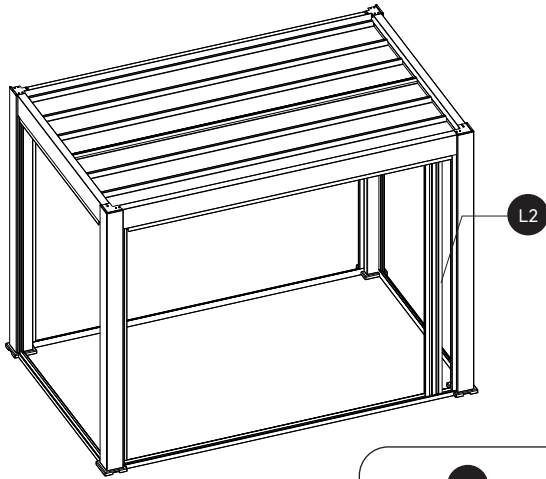
## Combination A+B

Install the front mounting to complete the framing of the other two walls, need to pay attention to the location of the bottom beam to prevent screws from striking the gutters.

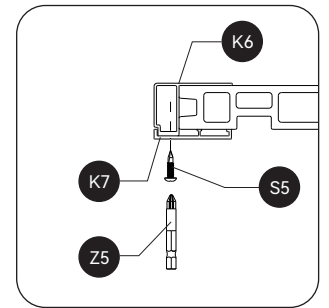
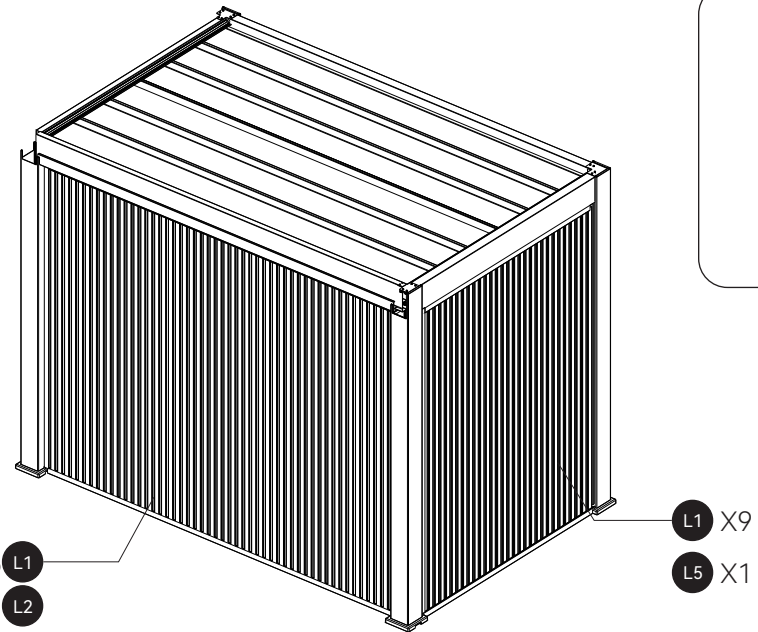


# Combination A+B

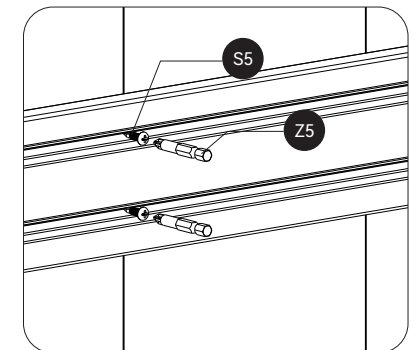
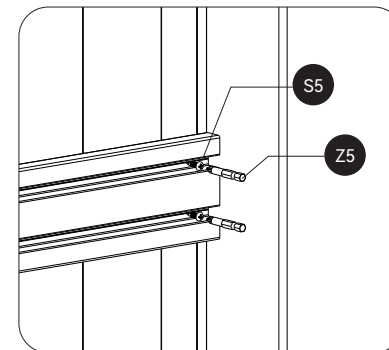
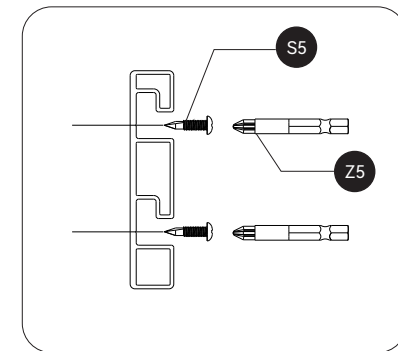
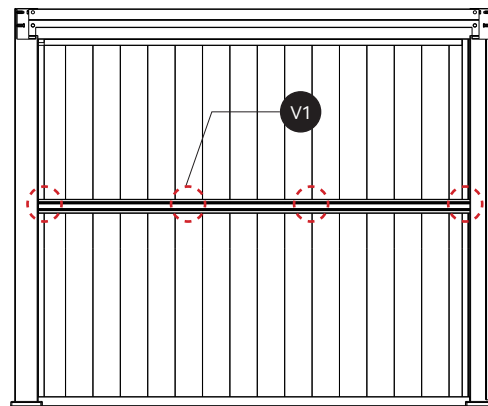
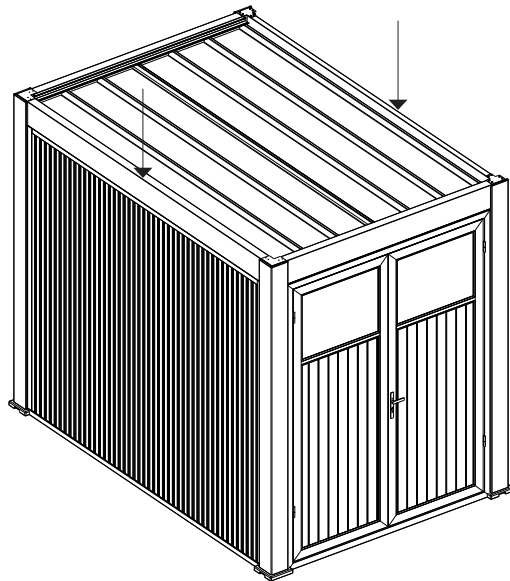
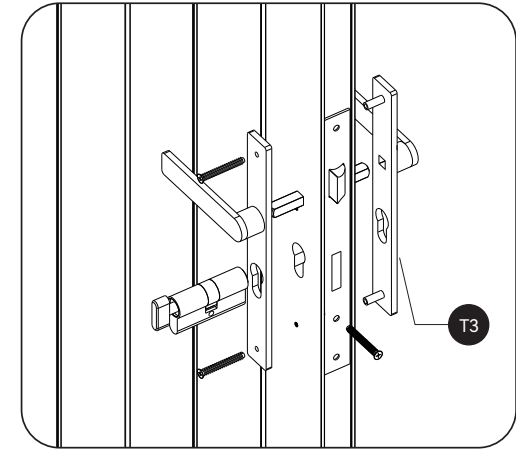
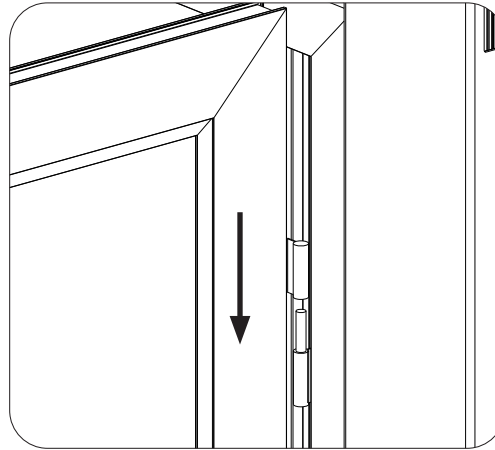
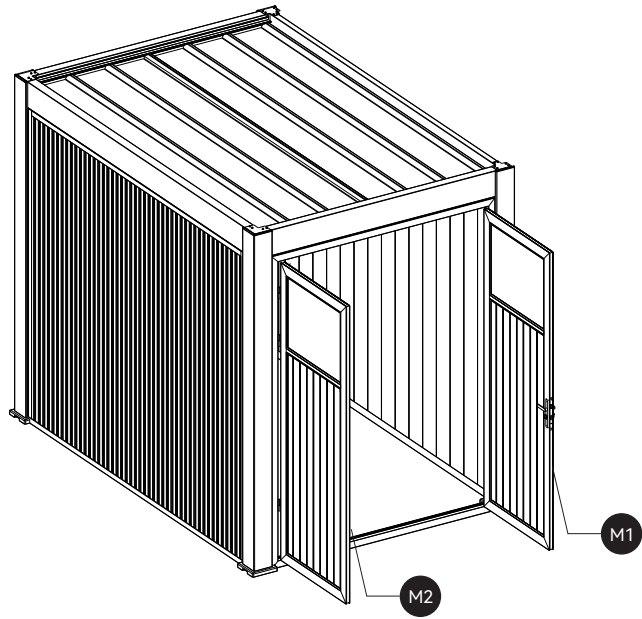
S5	 4x16	12
----	----------------------------------------------------------------------------------------	----



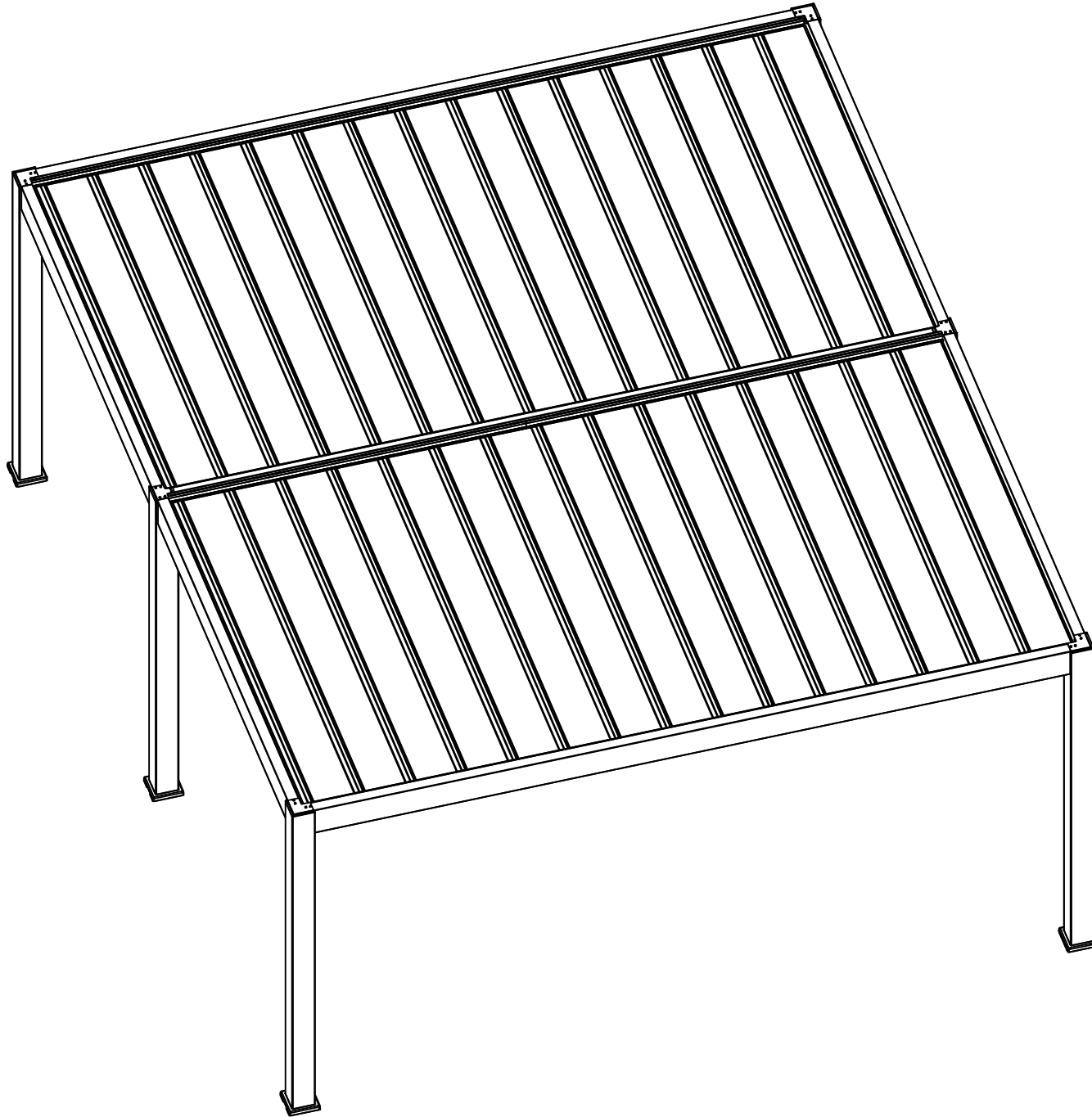
X15 L1  
X1 L2







# Combination A+B

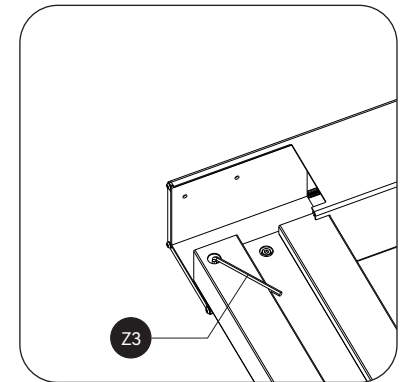
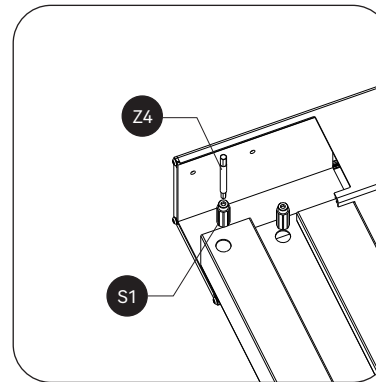
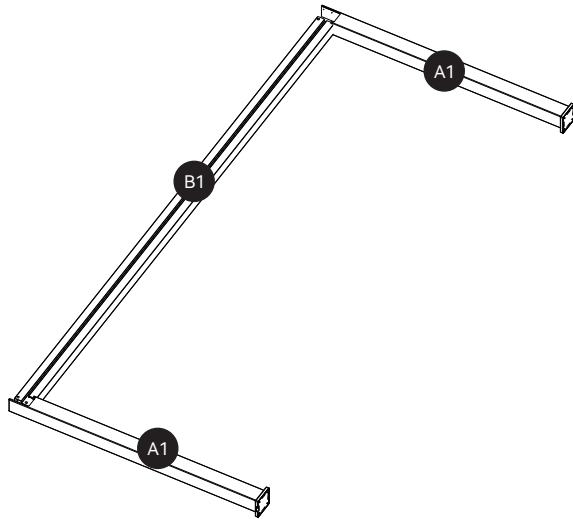
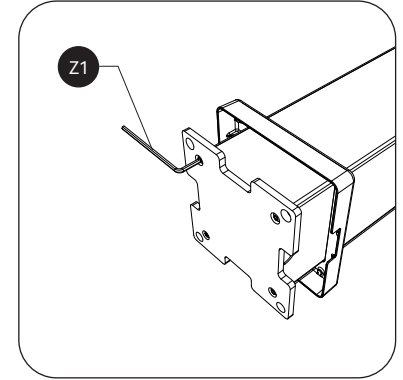
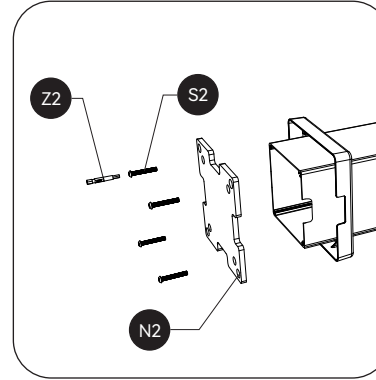
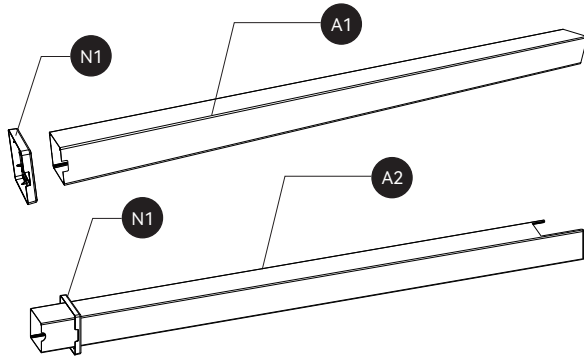


# Combination A+C

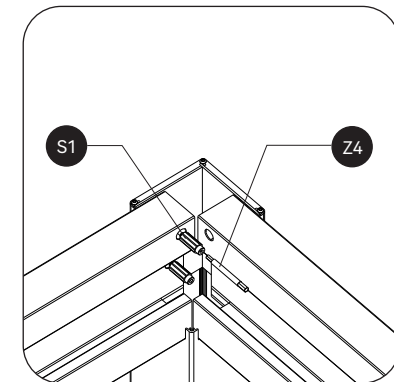
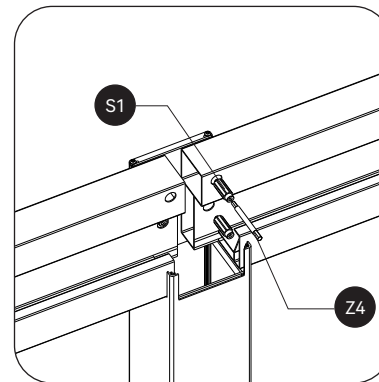
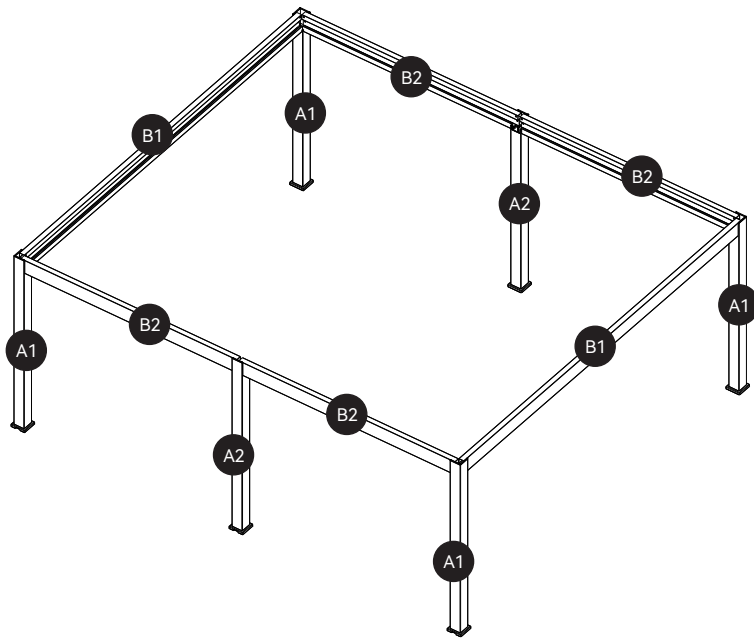
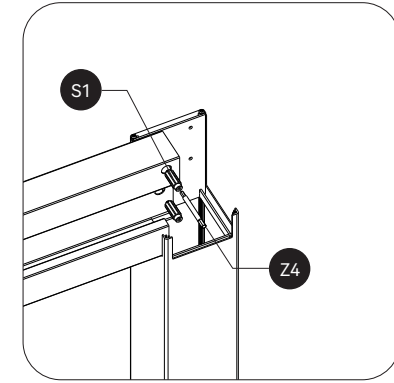
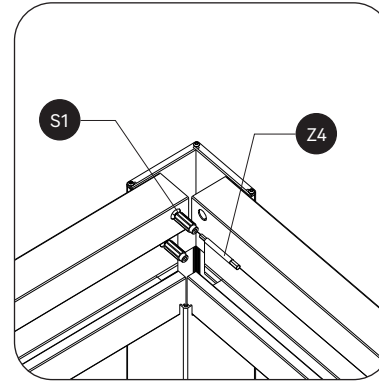
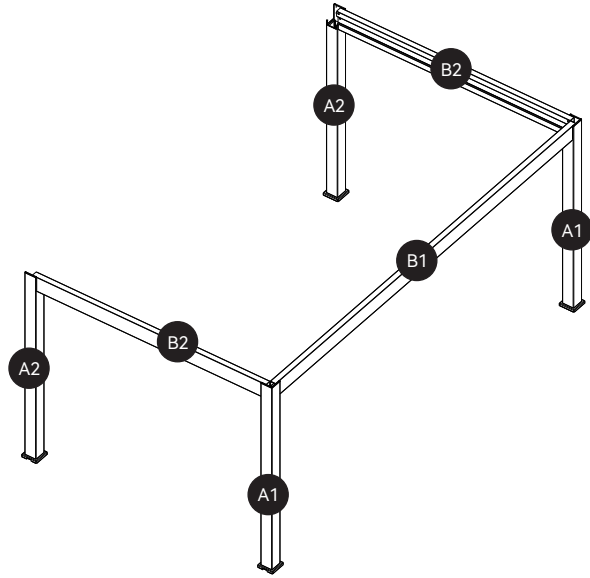


# Combination A+C



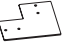

S1		24
S2		24
N1		6
N2		6

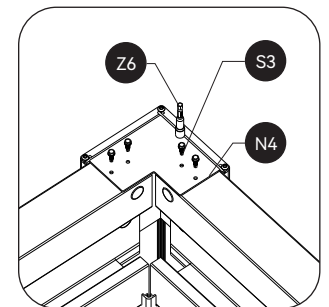
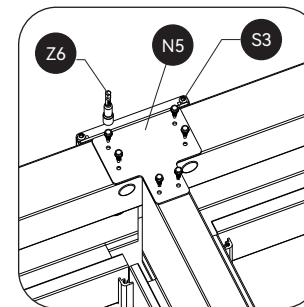
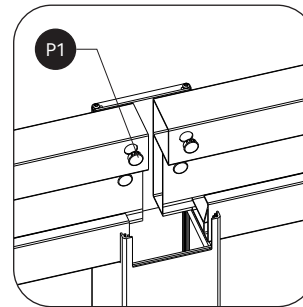
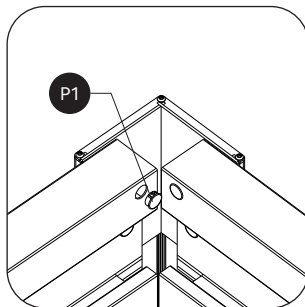
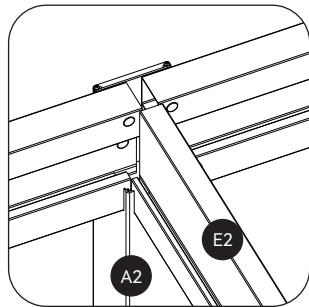
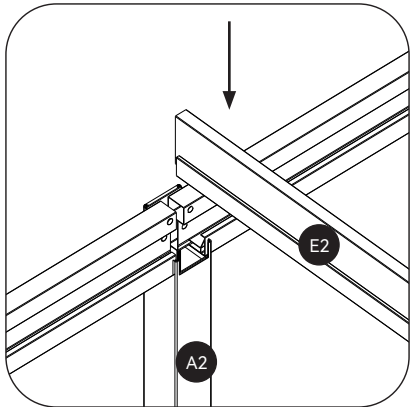
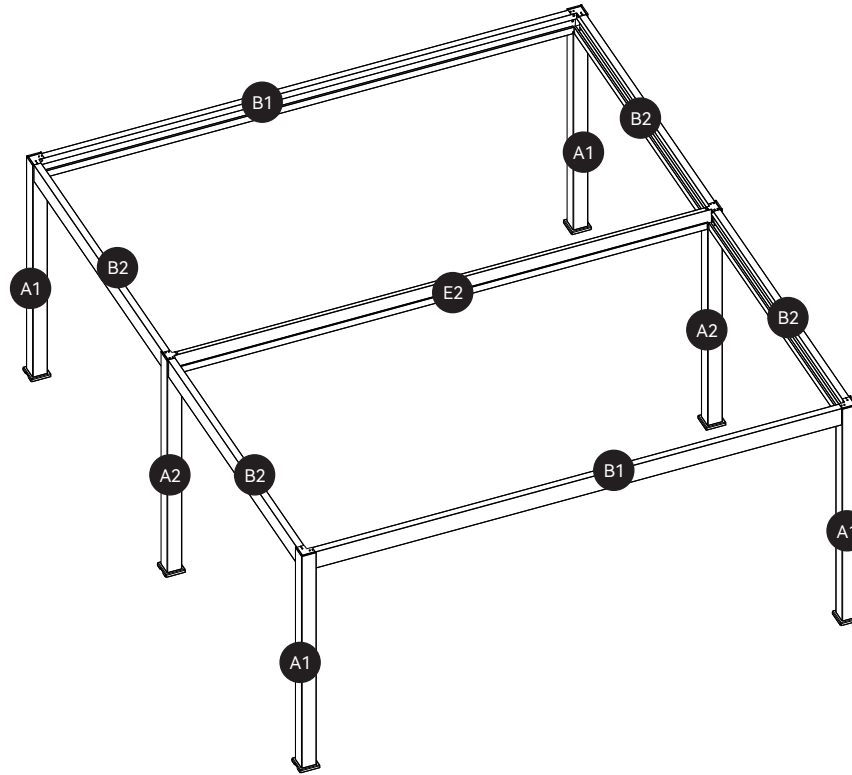


# Combination A+C

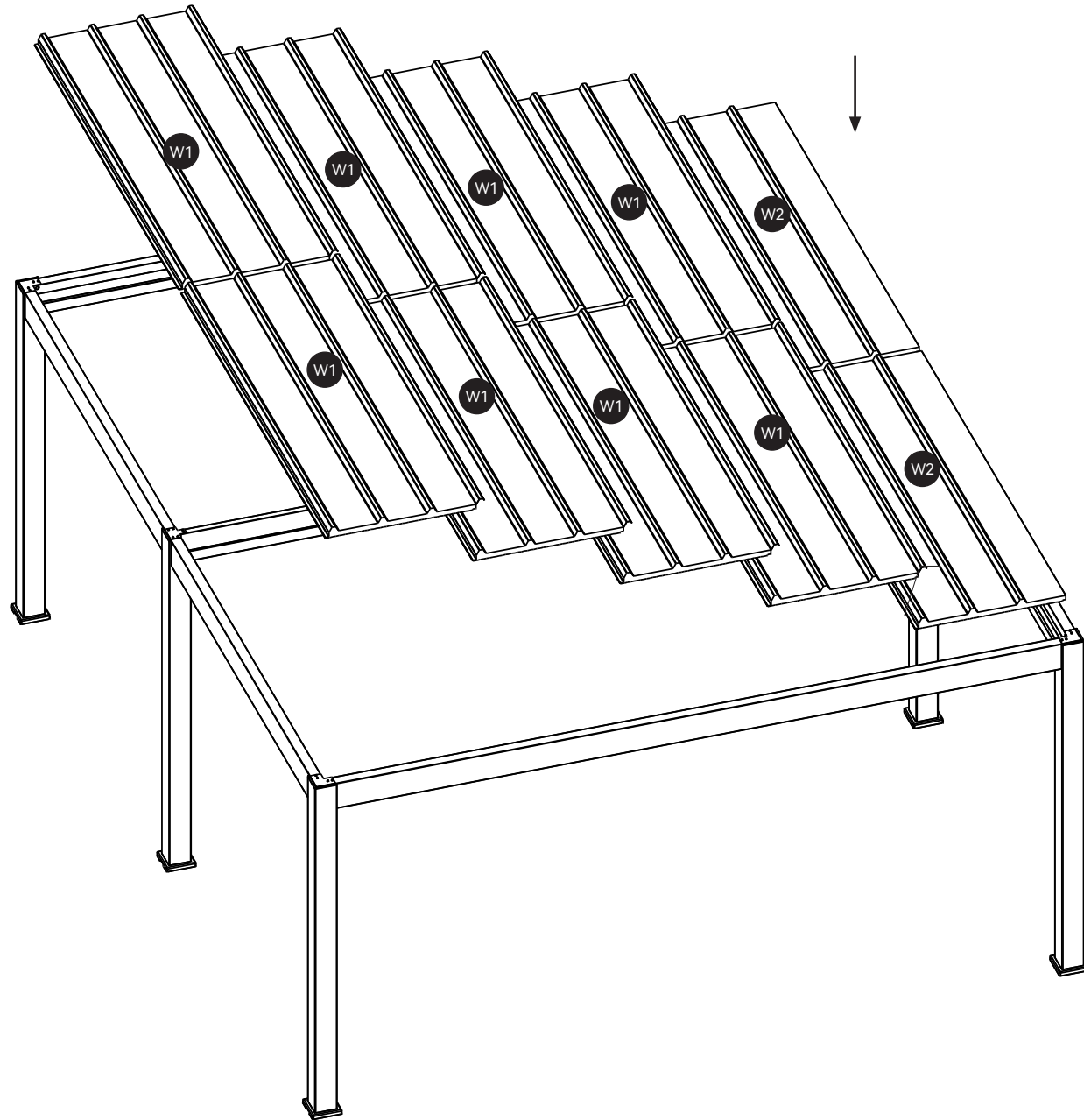


# Combination A+C



P1		24
S3	 5x19	24
N4		4
N5		2

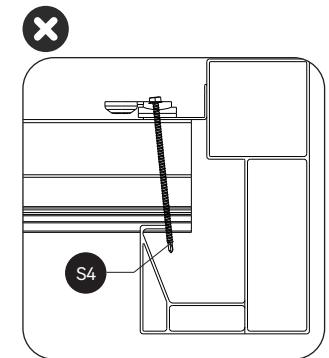
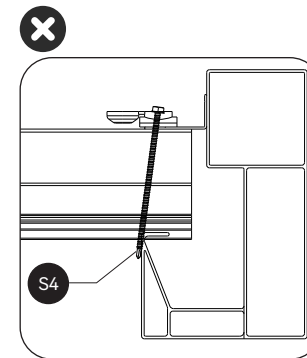
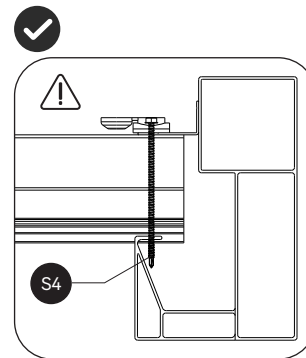
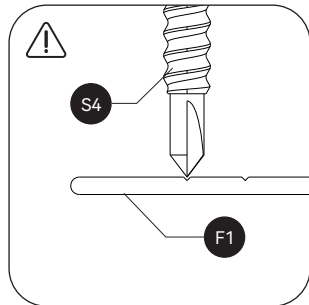
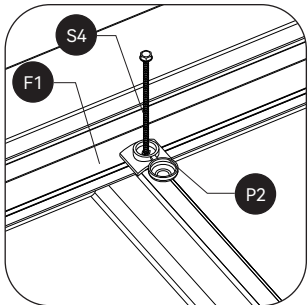
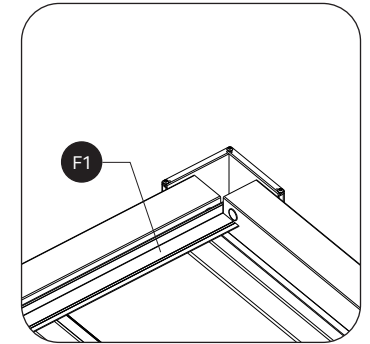
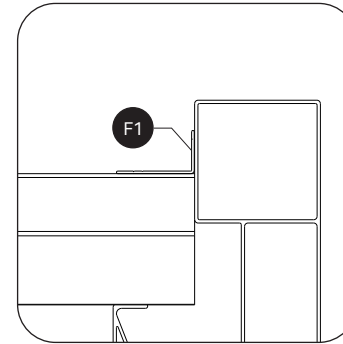
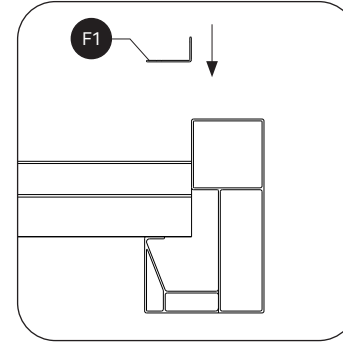
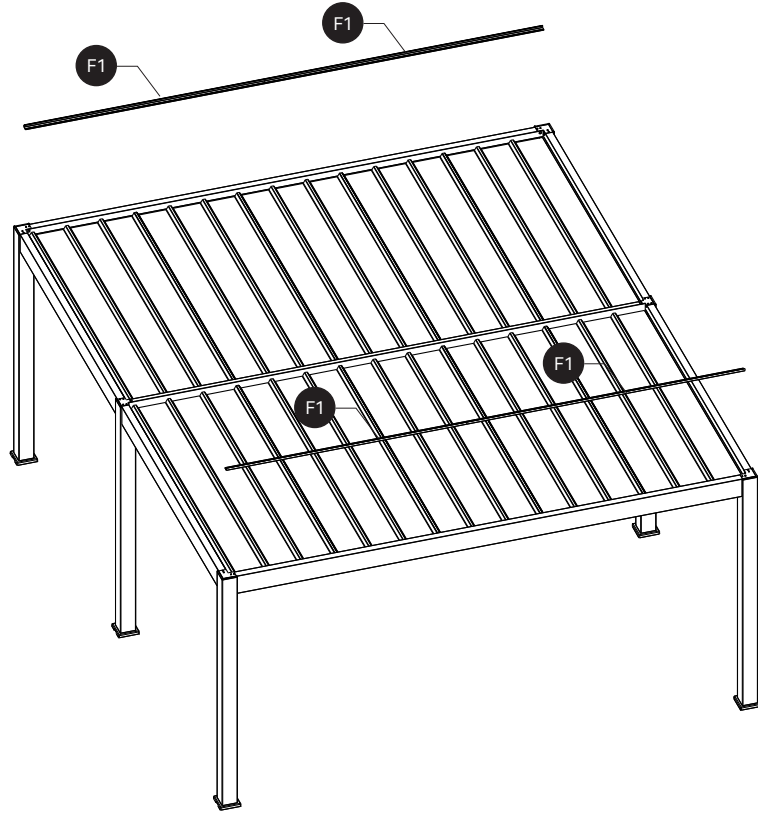


# Combination A+C





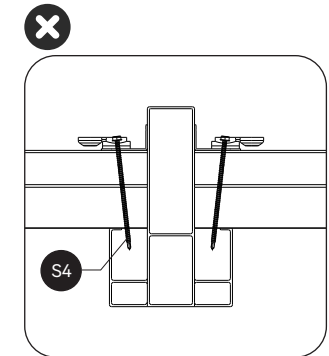
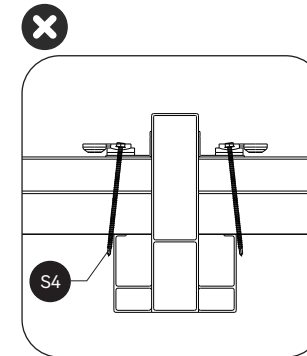
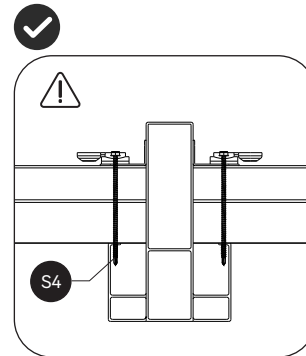
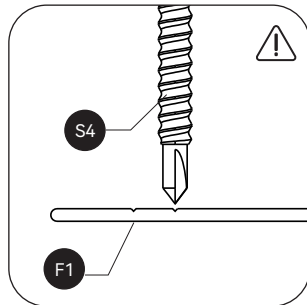
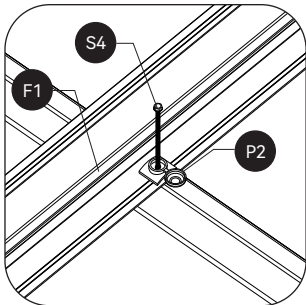
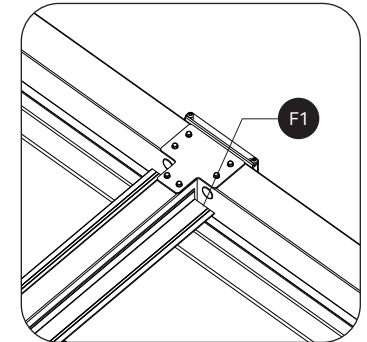
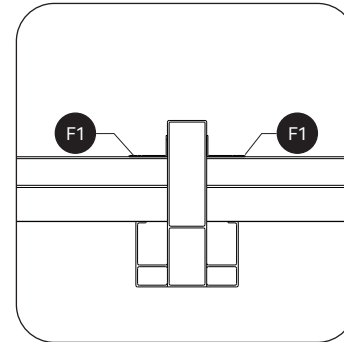
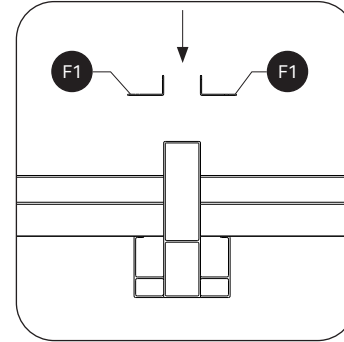
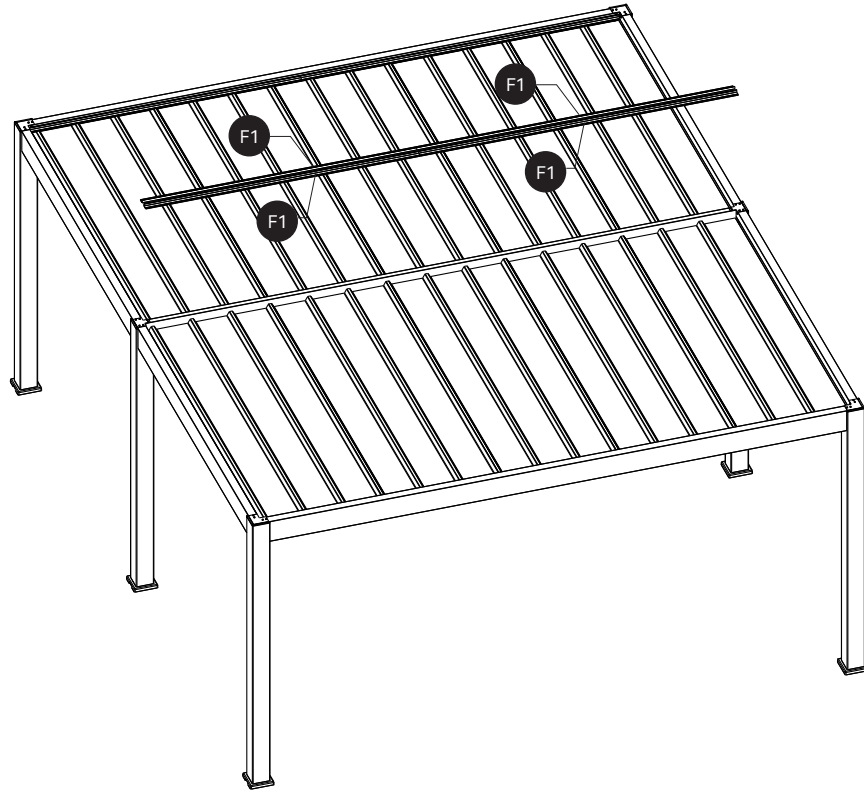
# Combination A+C

P2		34
S4		34





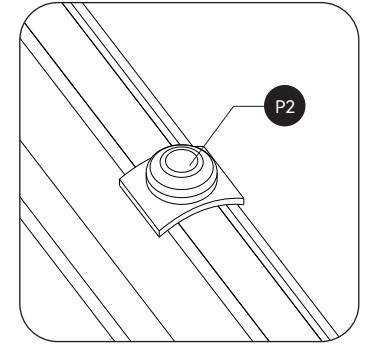
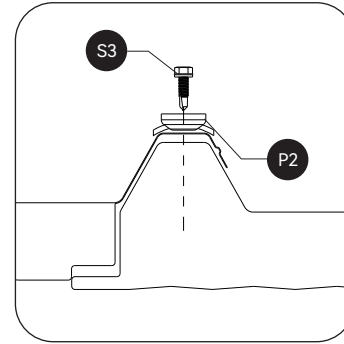
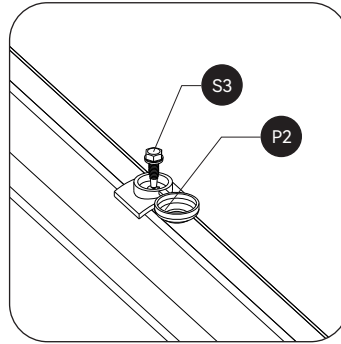
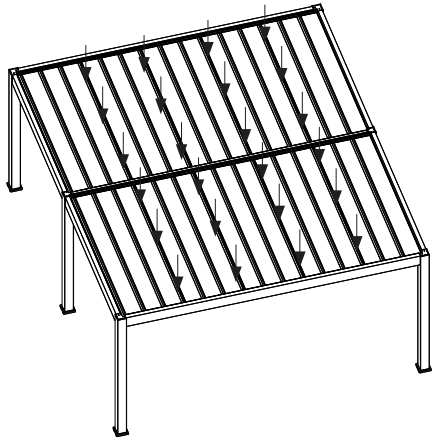
# Combination A+C


P2		34
S4		34

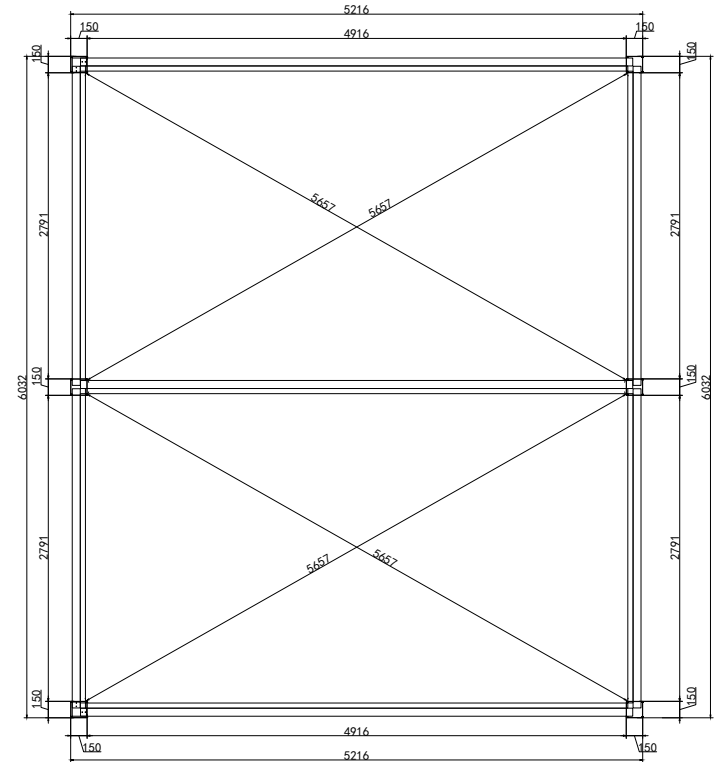
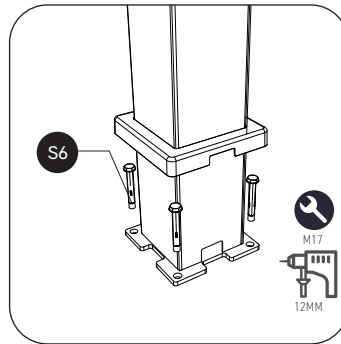
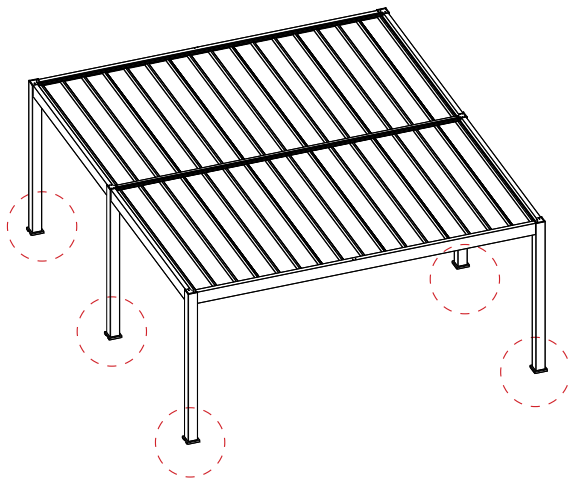


# Combination A+C

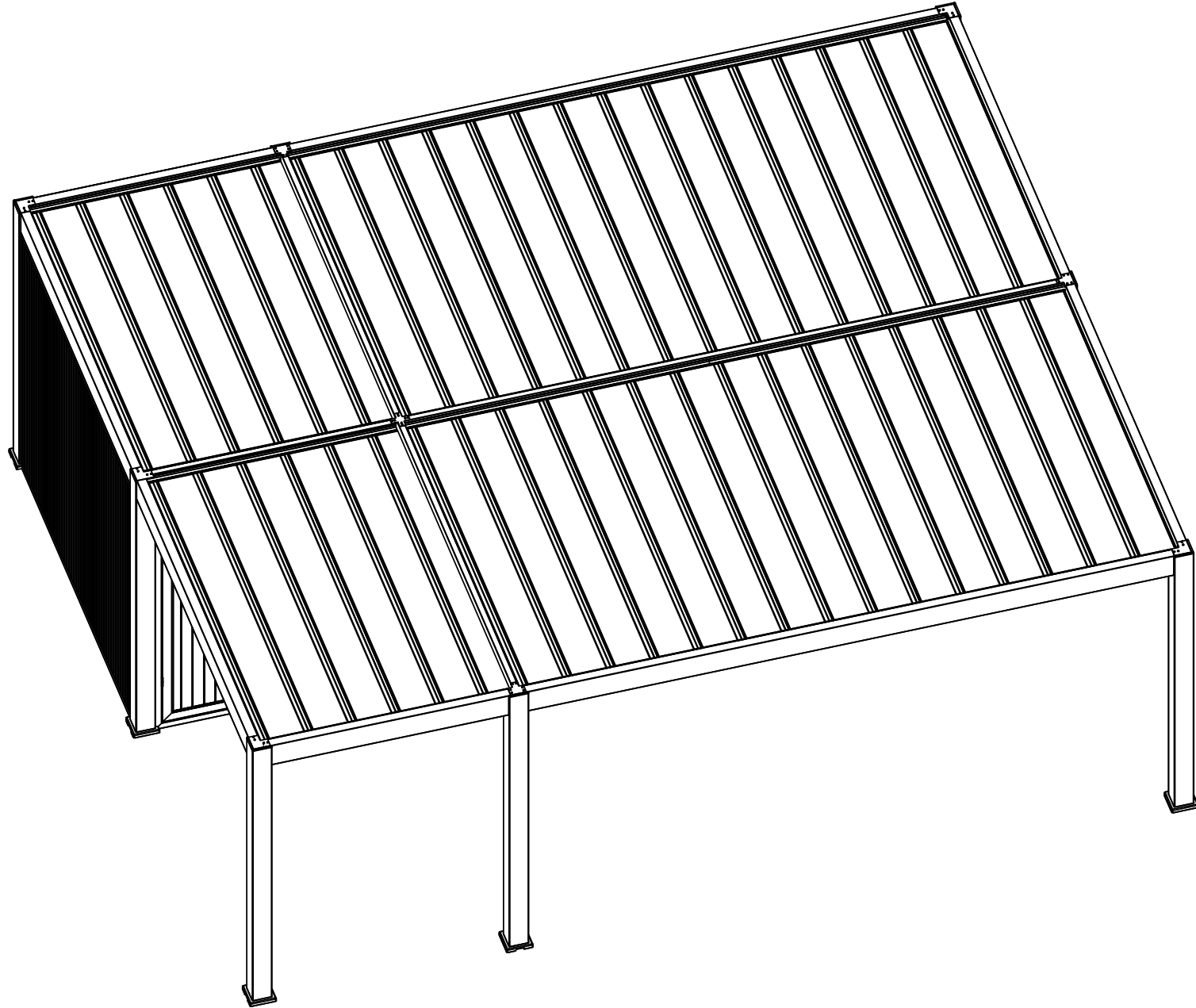
S3	 5x19	30
P2		30



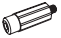



S6		24
----	-----------------------------------------------------------------------------------	----

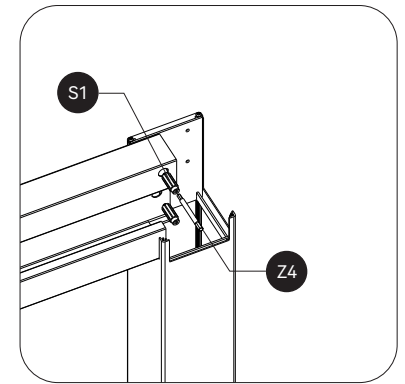
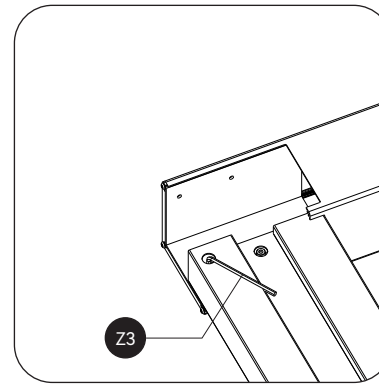
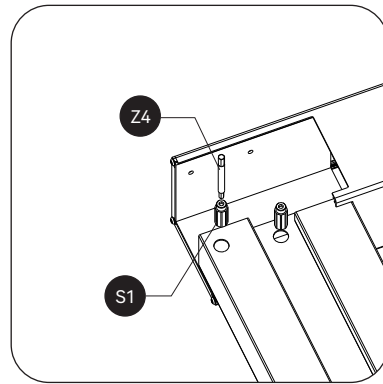
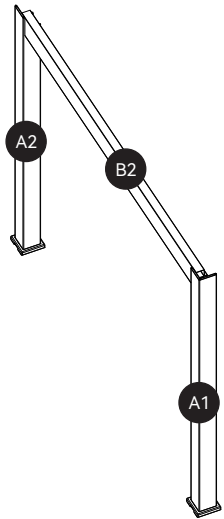
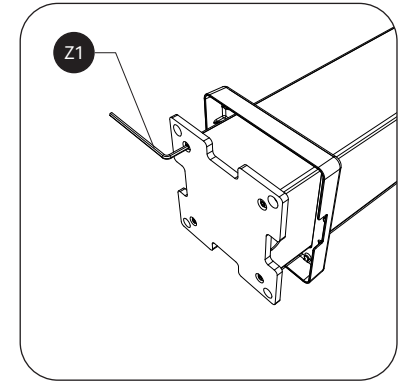
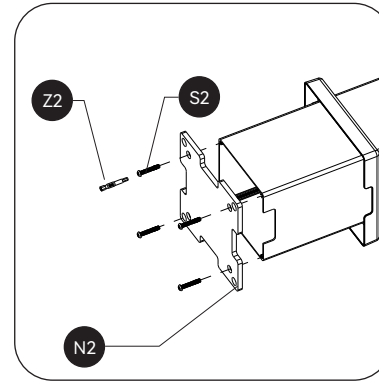
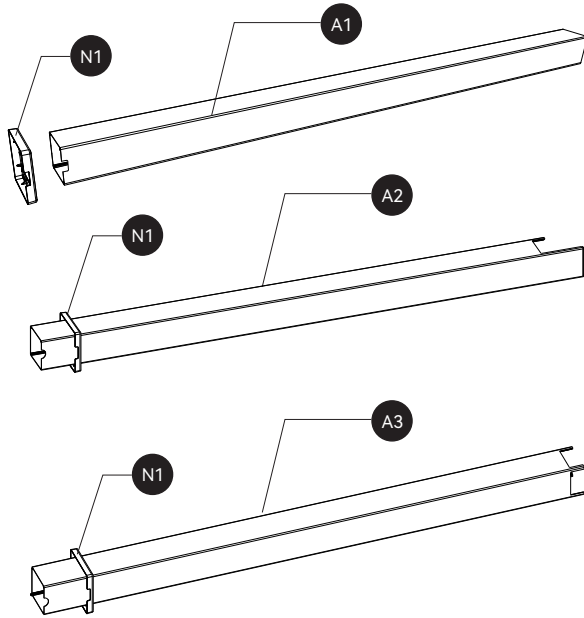


# Combination A+B+C+D



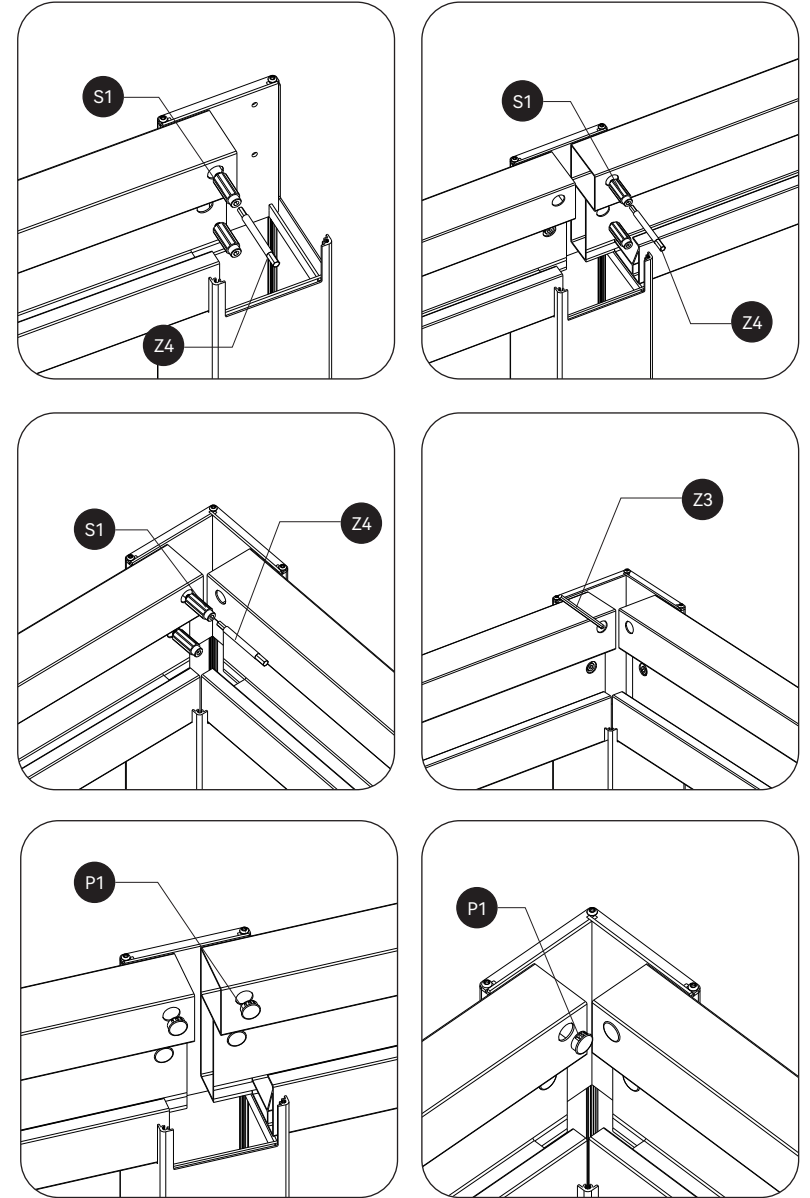
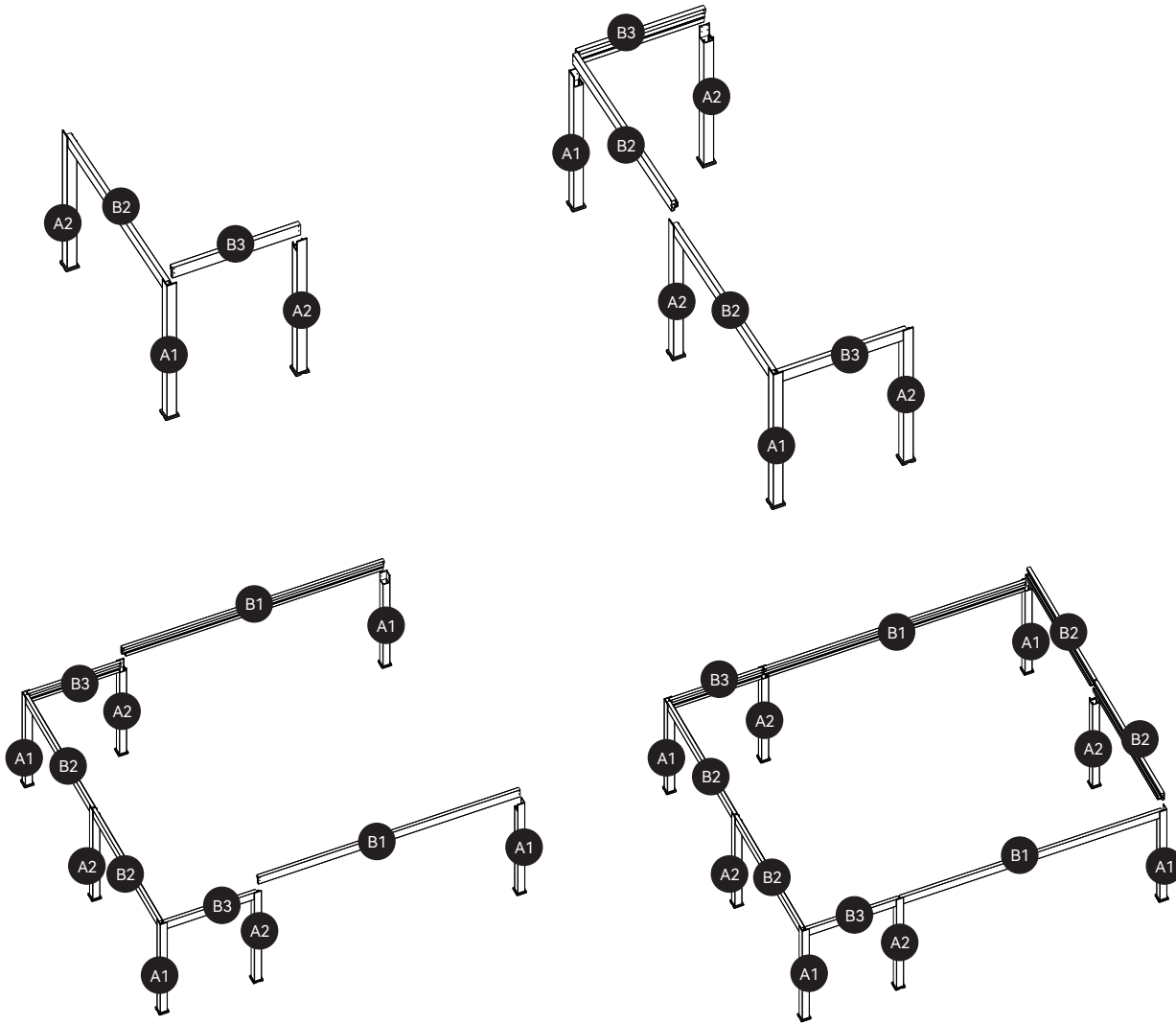
# Combination A+B+C+D

S1		32
S2		32
N1		9
N2		9







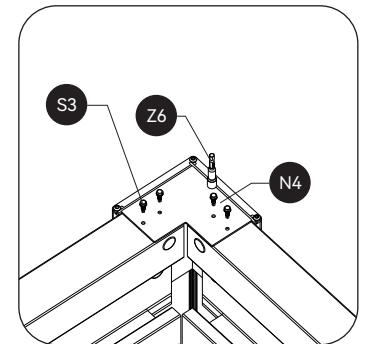
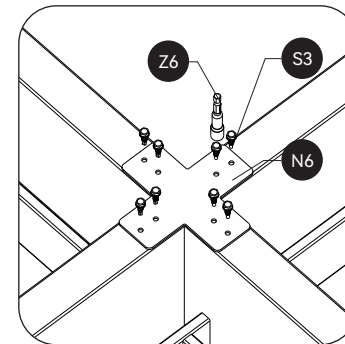
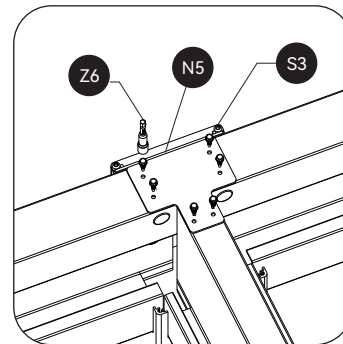
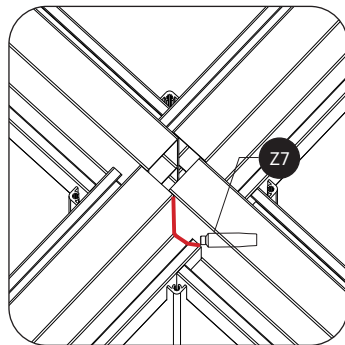
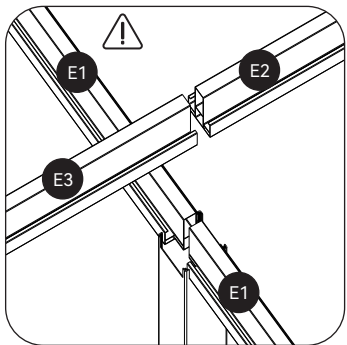
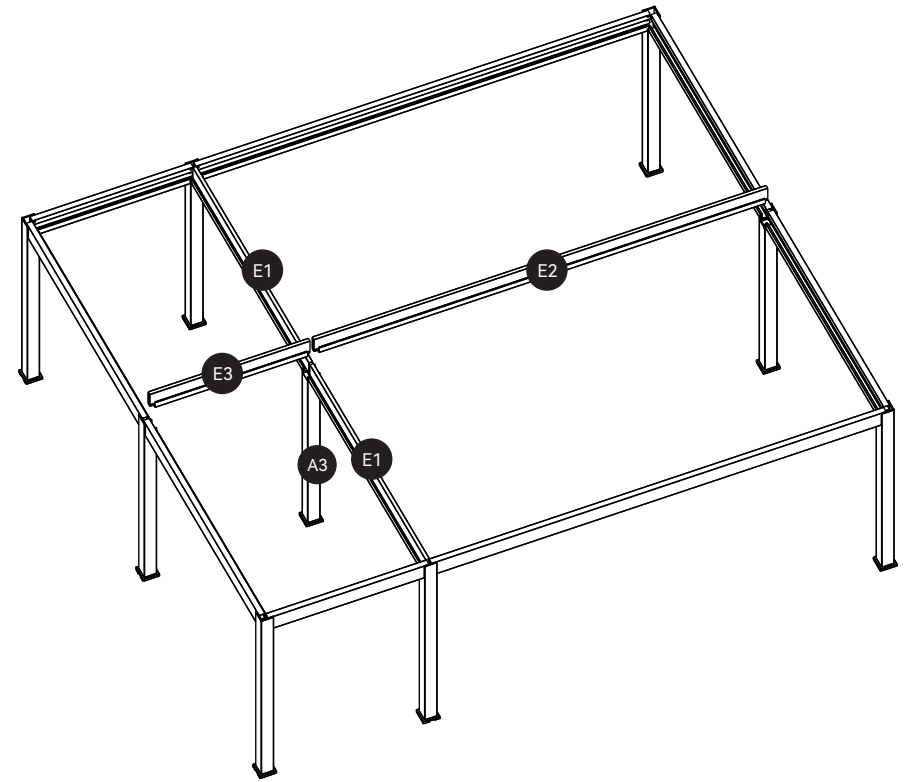
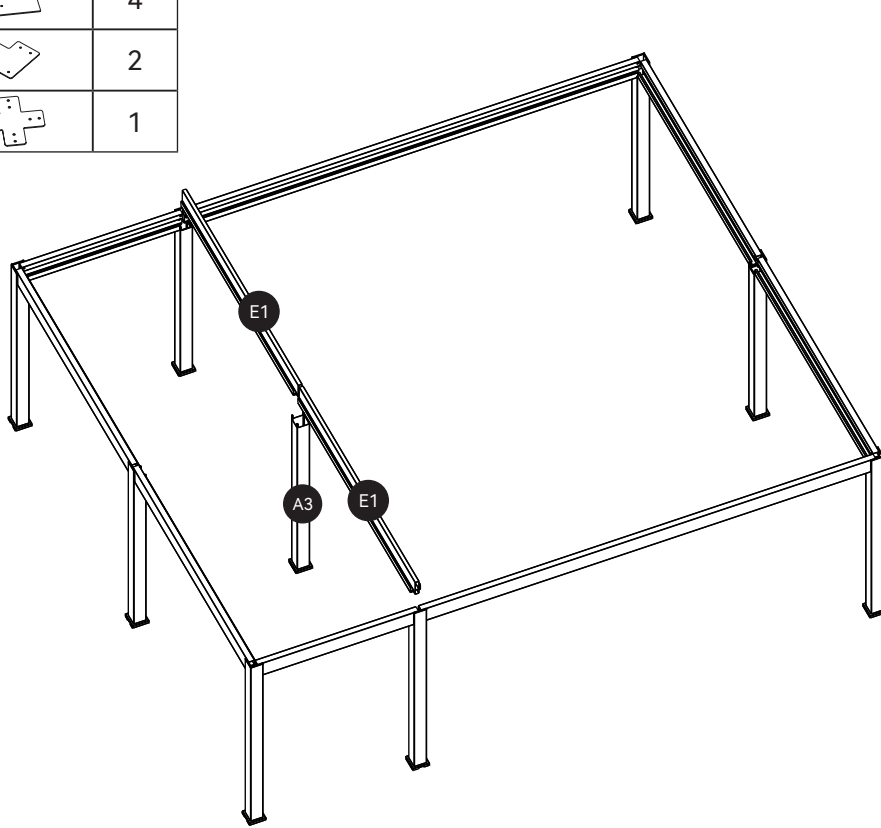
# Combination A+B+C+D

P1		32
----	-----------------------------------------------------------------------------------	----

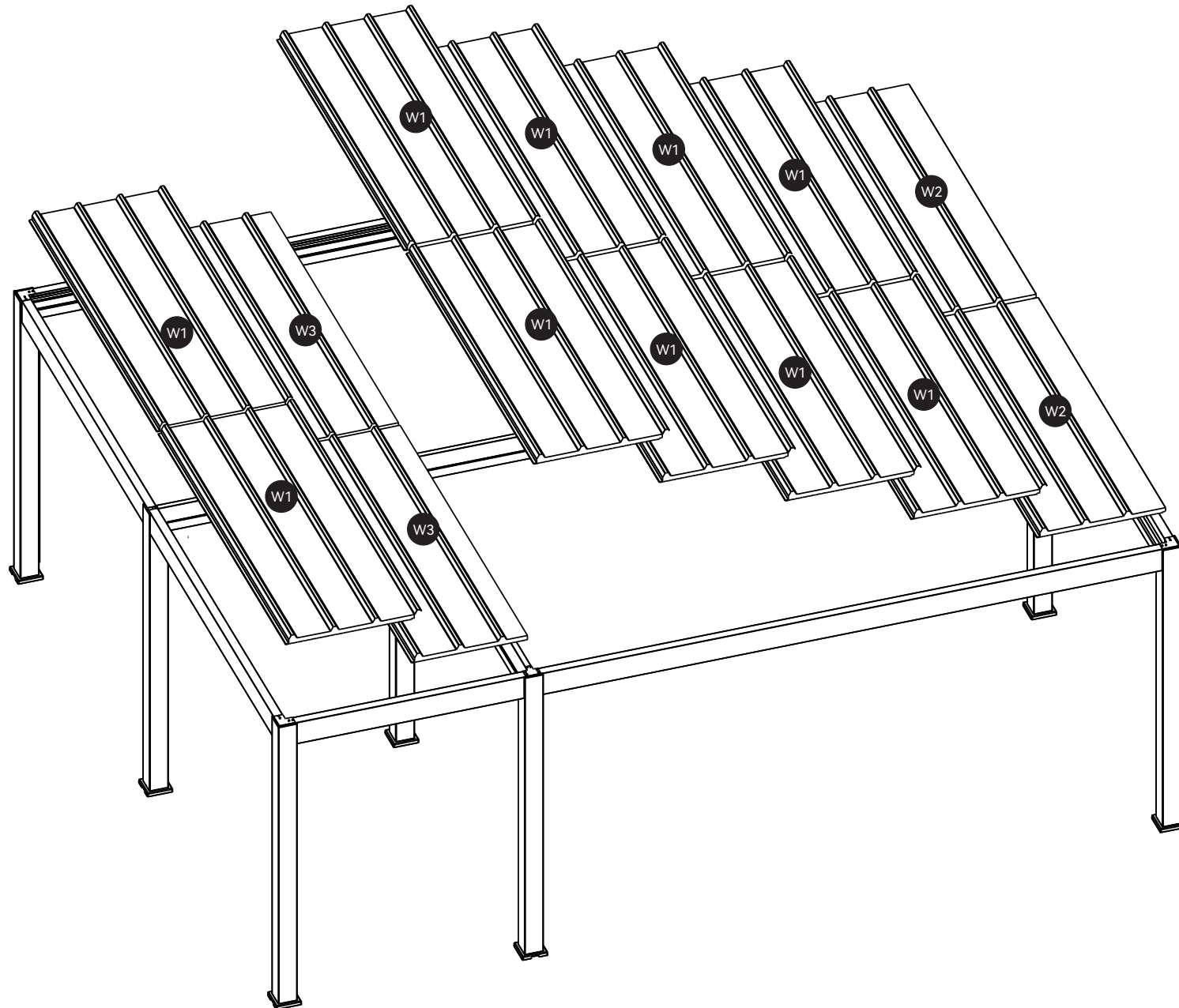


# Combination A+B+C+D



S3	 5x19	36
N4		4
N5		2
N6		1

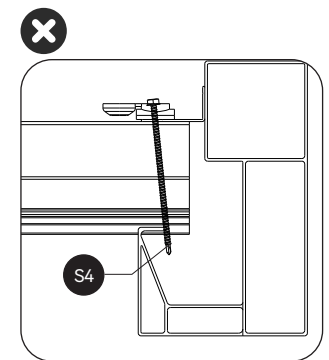
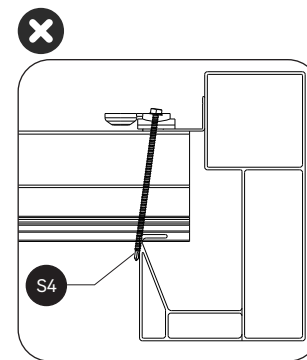
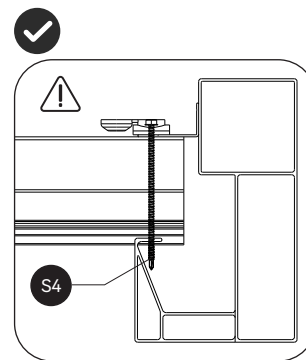
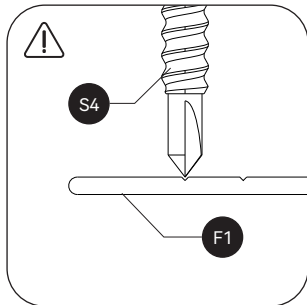
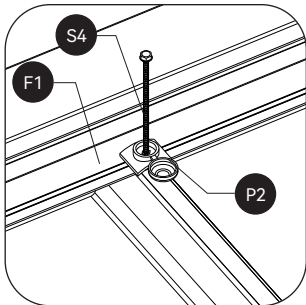
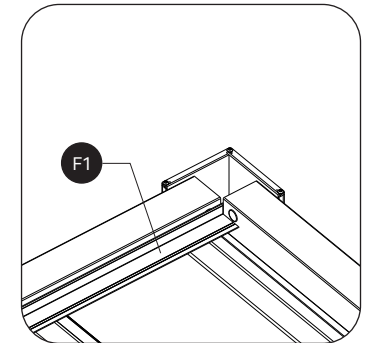
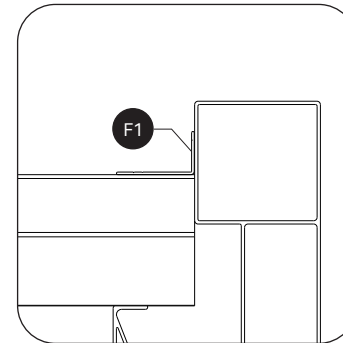
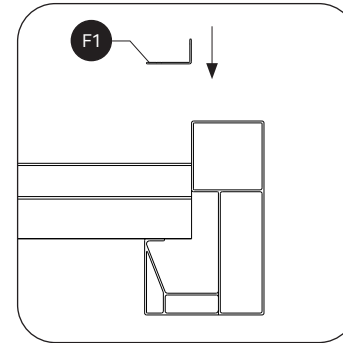
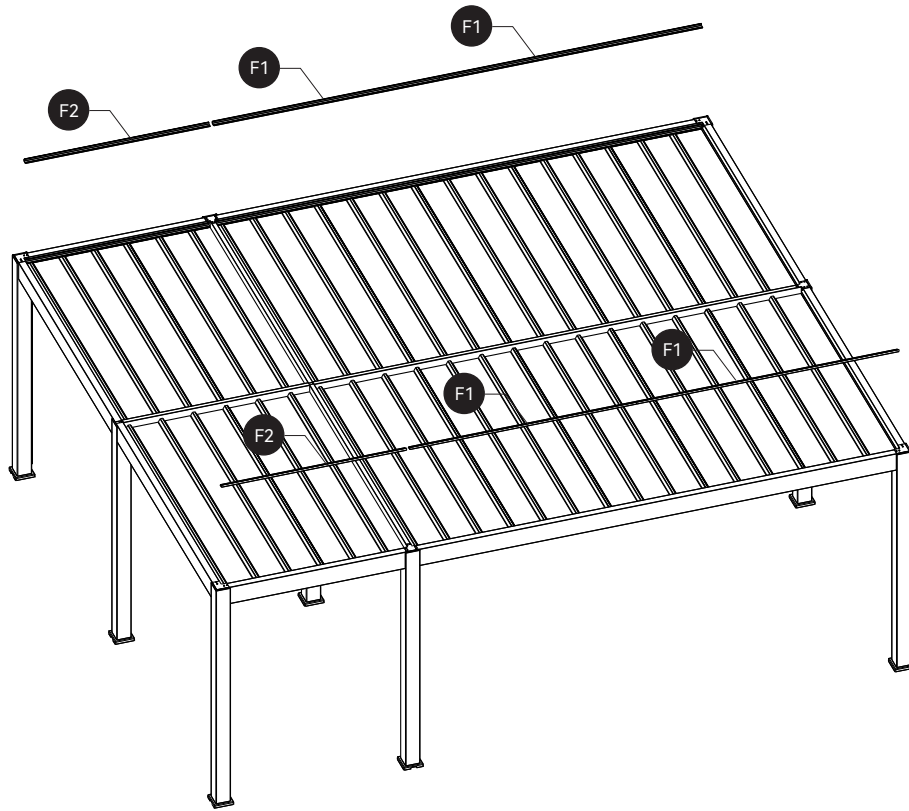


# Combination A+B+C+D





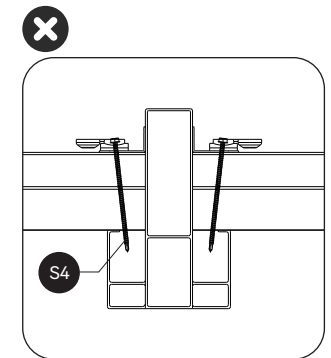
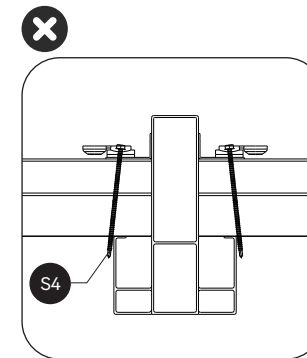
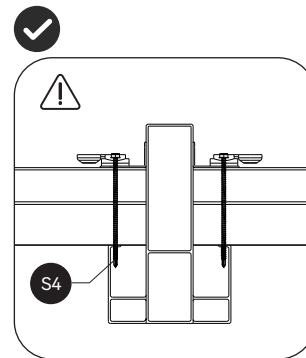
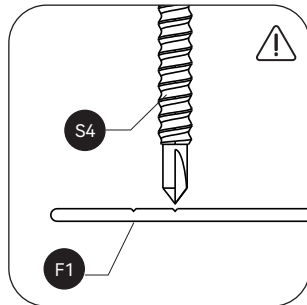
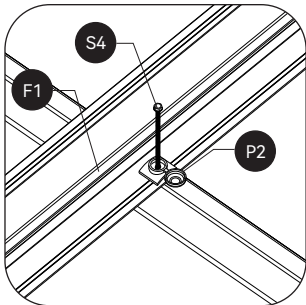
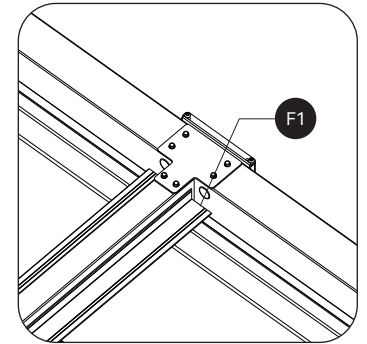
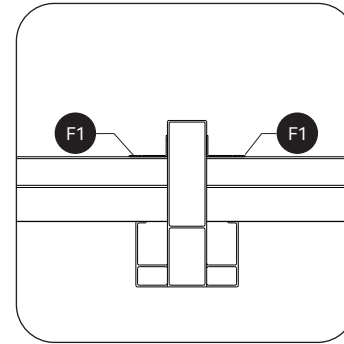
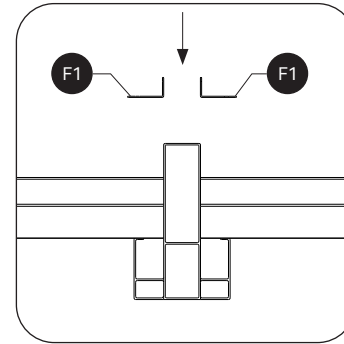
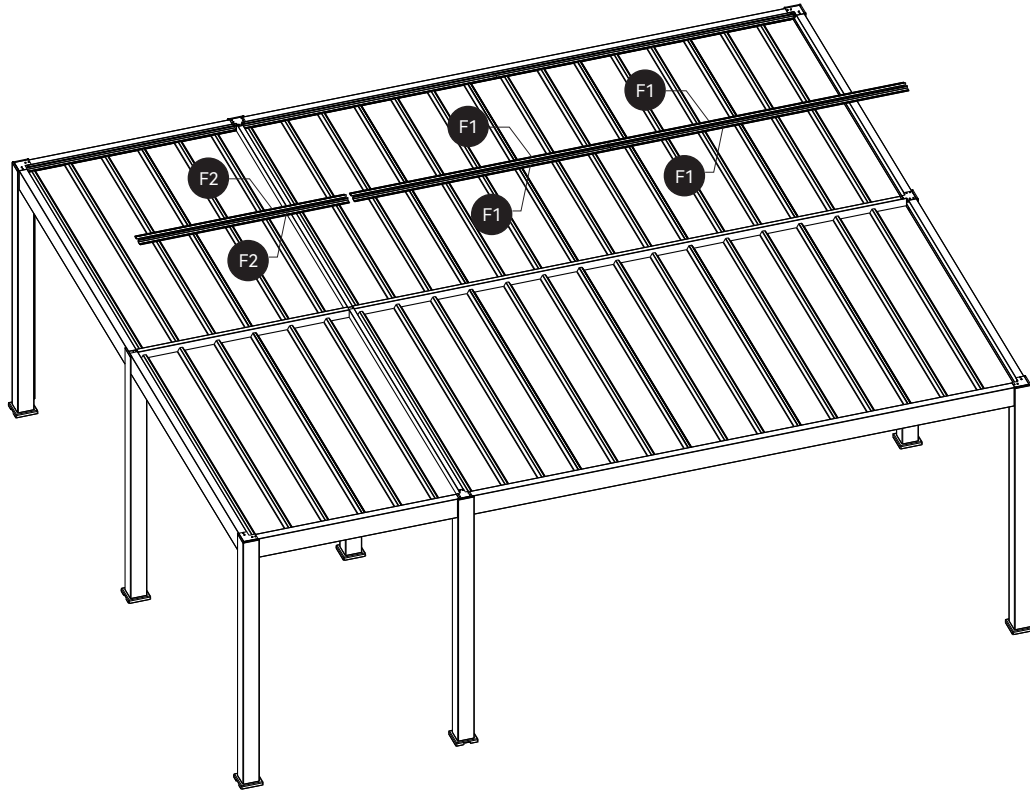
# Combination A+B+C+D

P2		46
S4		46





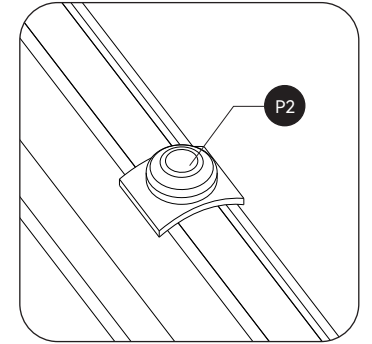
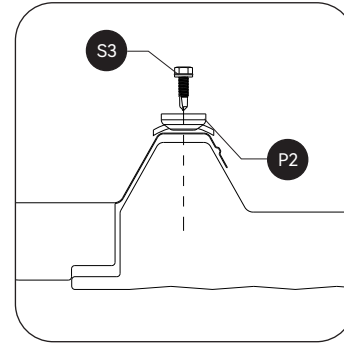
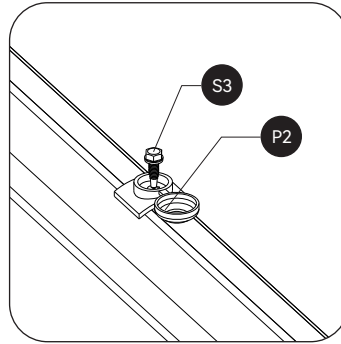
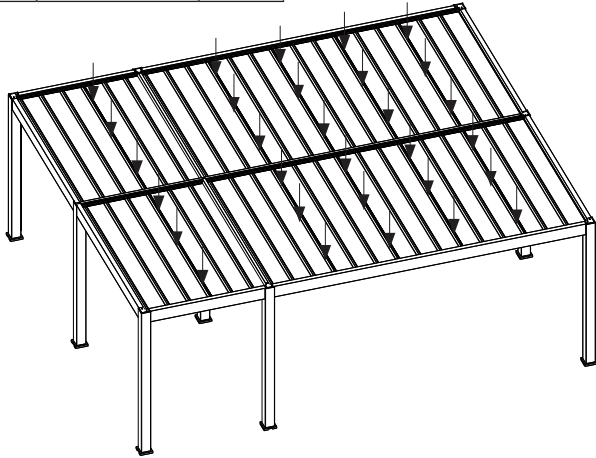
# Combination A+B+C+D


P2		46
S4		46

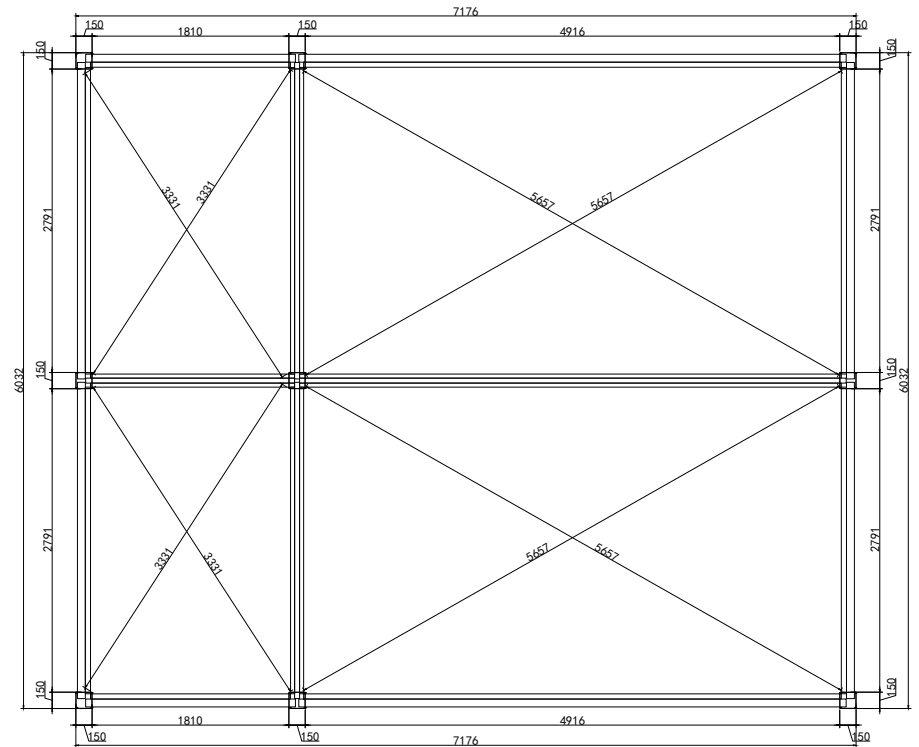
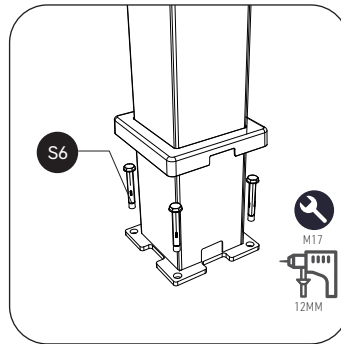
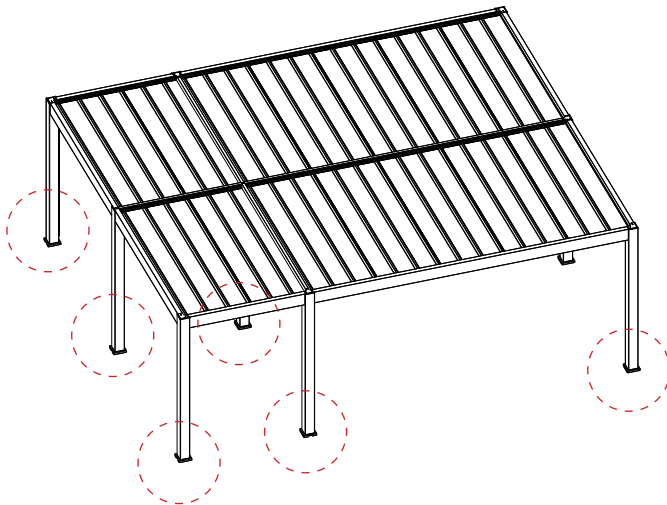


# Combination A+B+C+D

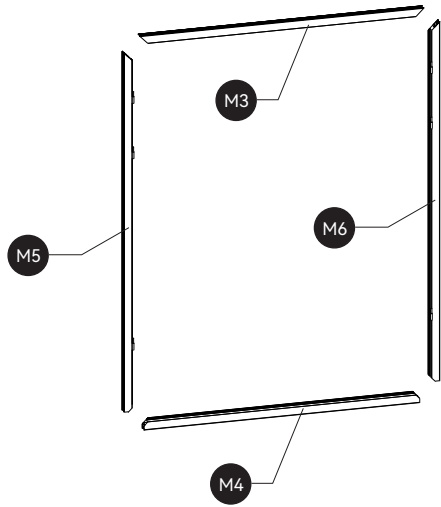
S3	 5x19	36
P2		36





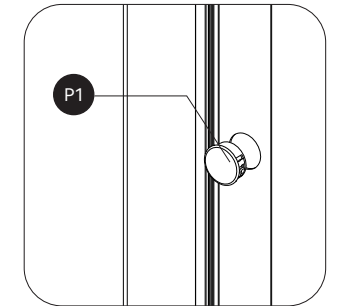
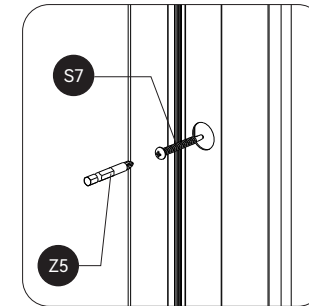
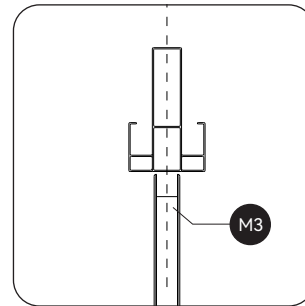
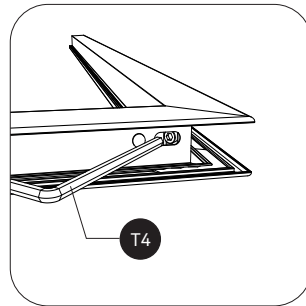
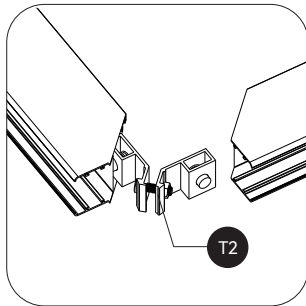
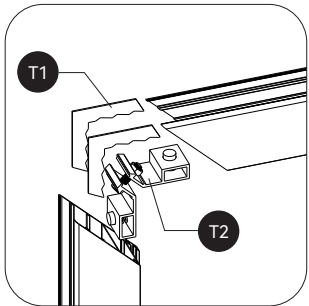
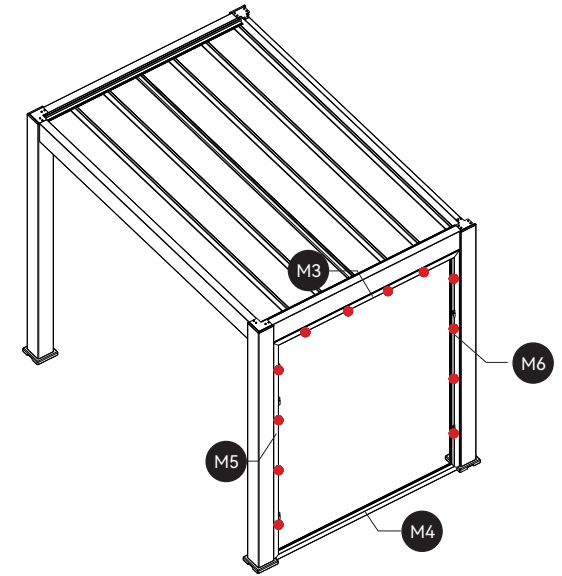
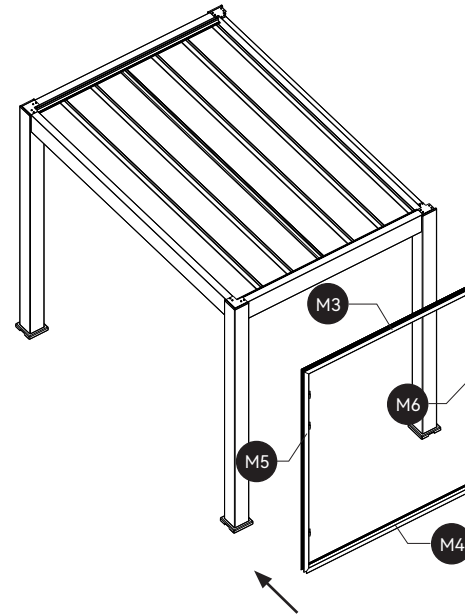
S6		32
----	-----------------------------------------------------------------------------------	----





# Combination A+B+C+D

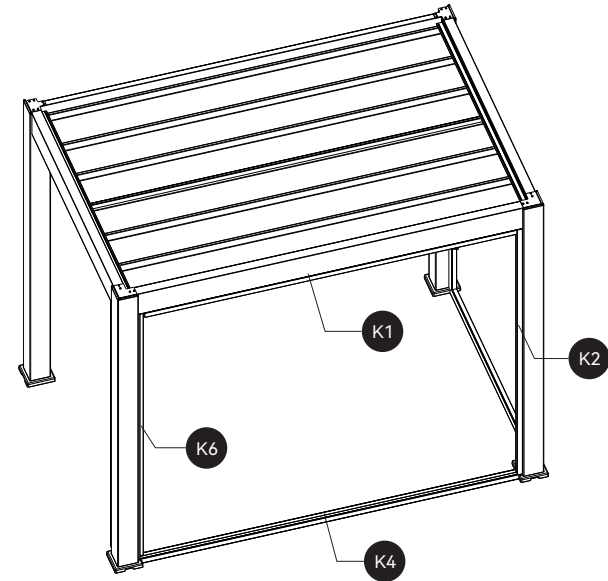
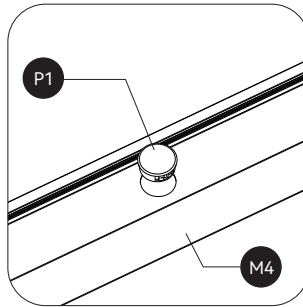
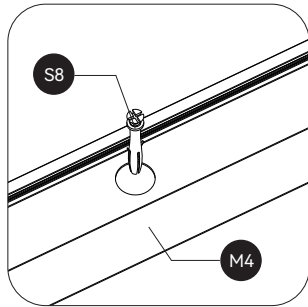
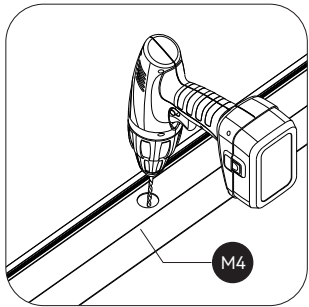
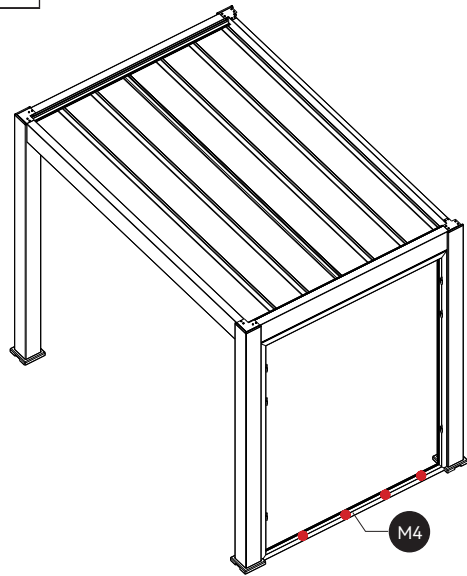


P1		12
S5	 4x16	12

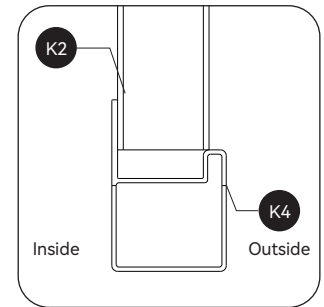
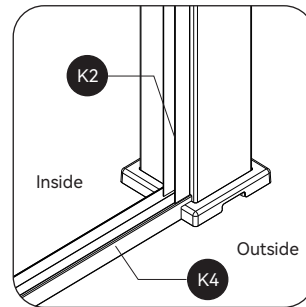
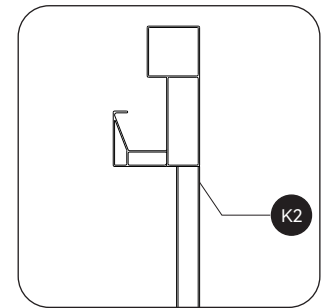
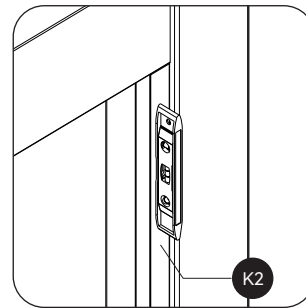


# Combination A+B+C+D



P1		4
S5	 4x16	4

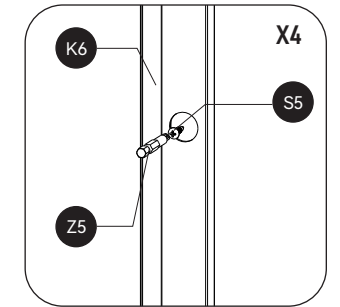
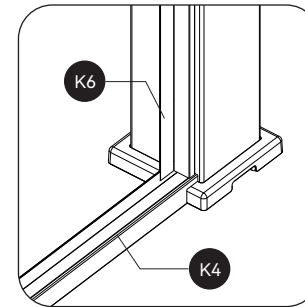
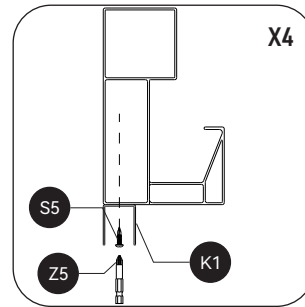
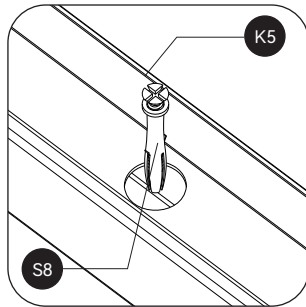
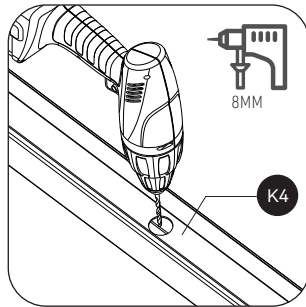
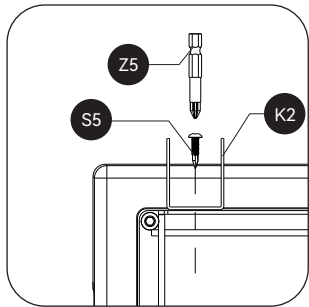
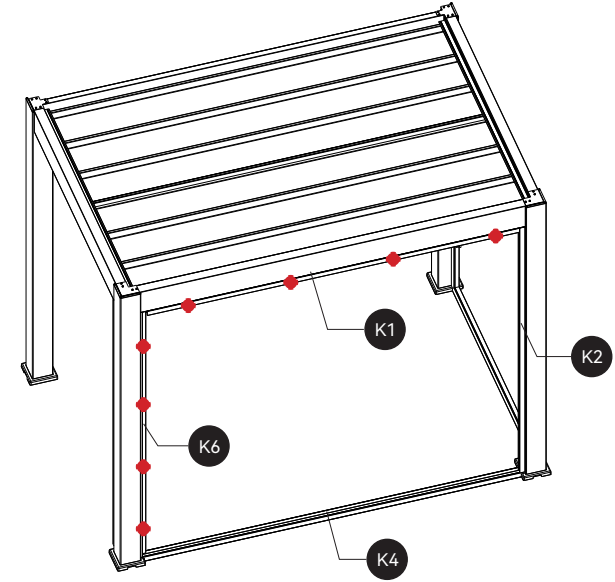
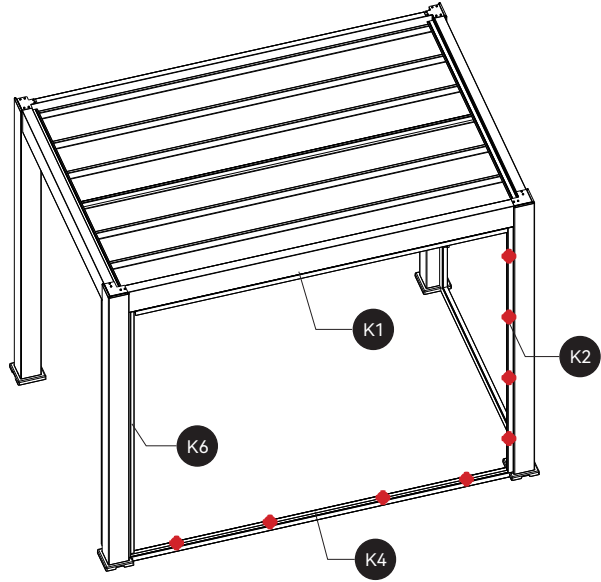


Install K2 and K4 first, taking care that K2 is flush with the outside of the beam.



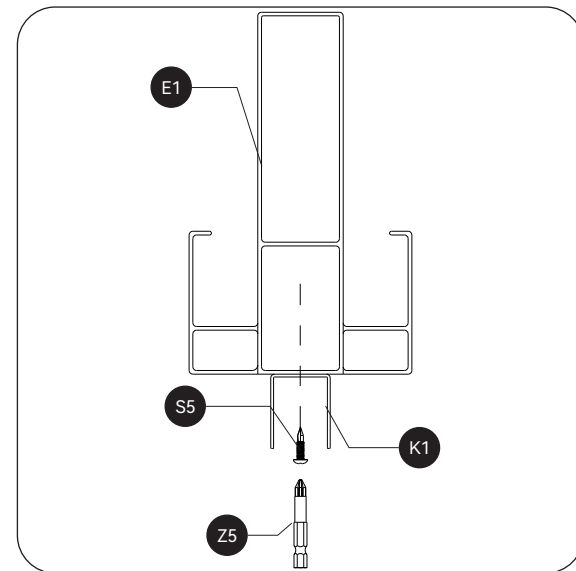
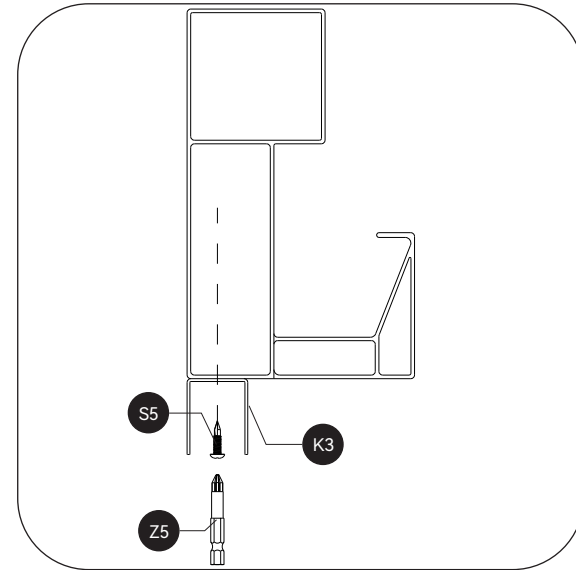
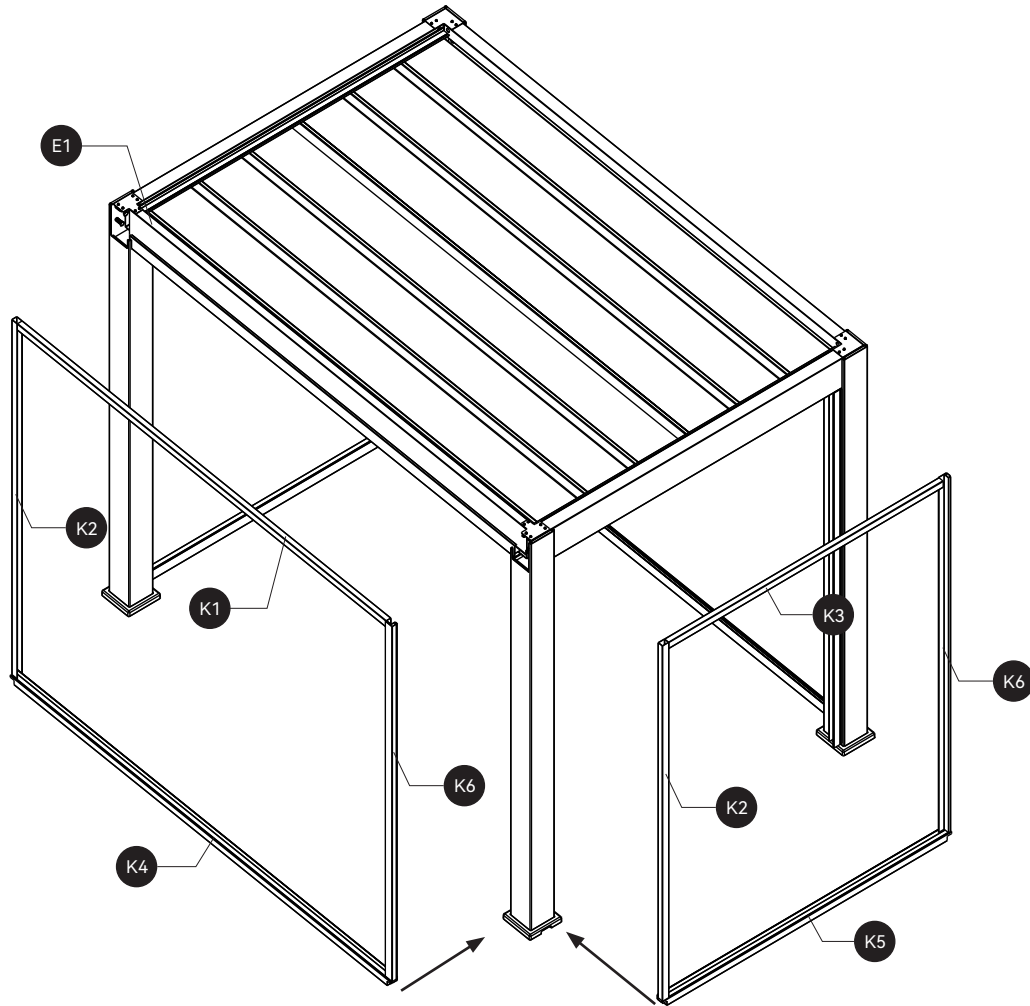
# Combination A+B+C+D

S5	 4x16	12
S8	 8x100	4



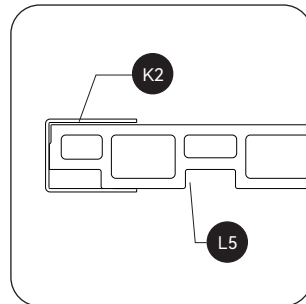
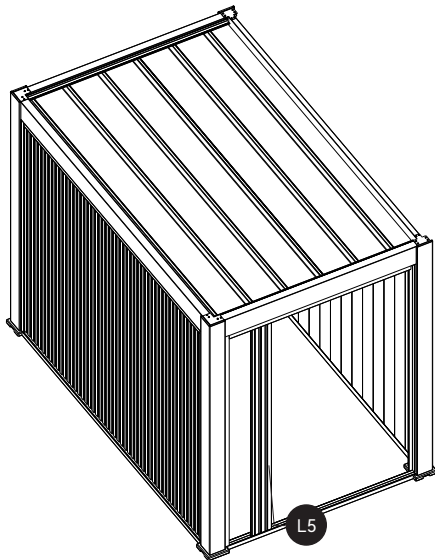
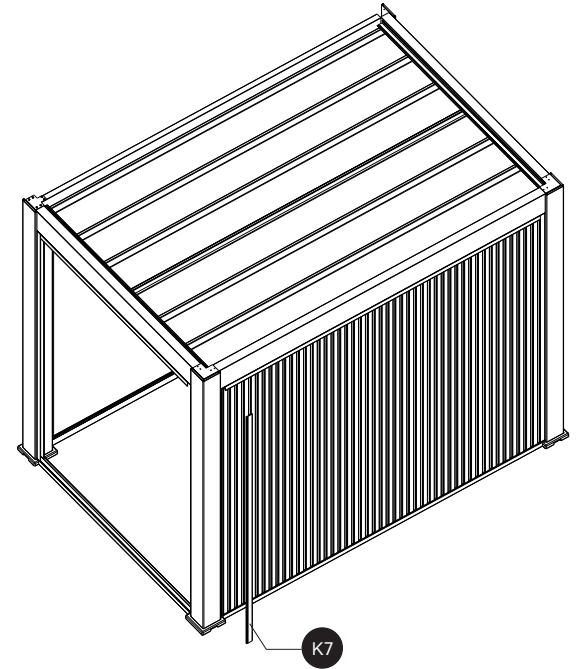
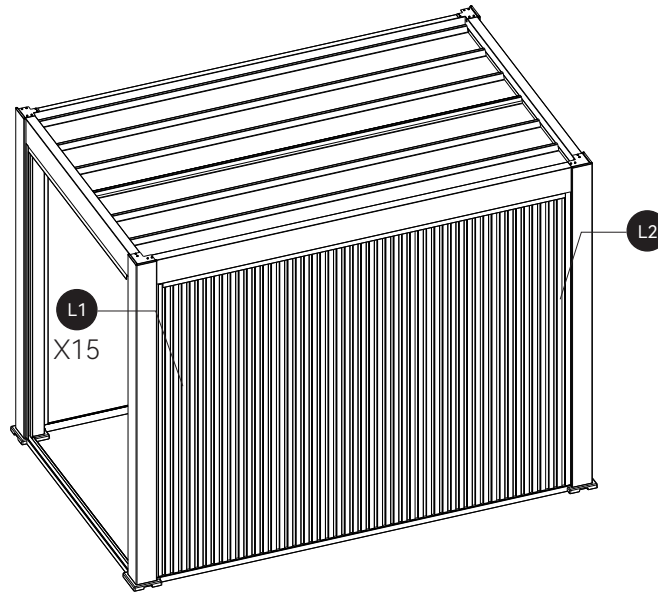
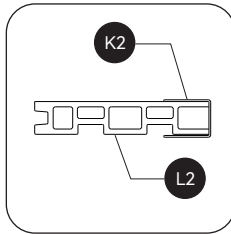
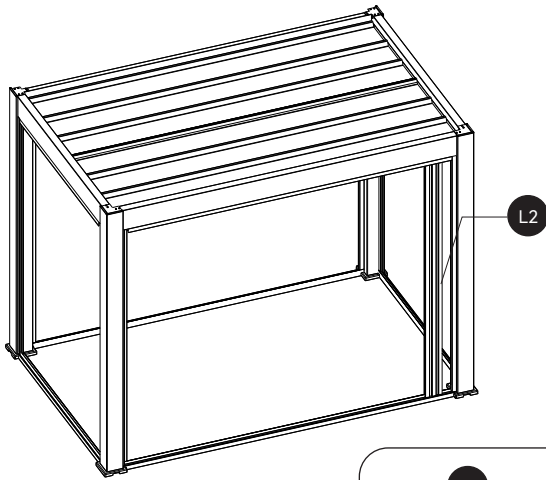
## Combination A+B+C+D

Install the front mounting to complete the framing of the other two walls, need to pay attention to the location of the bottom beam to prevent screws from striking the gutters.

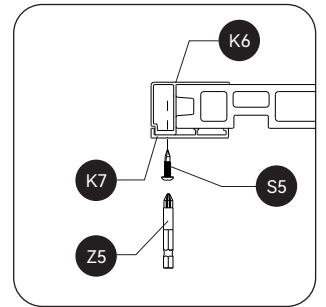
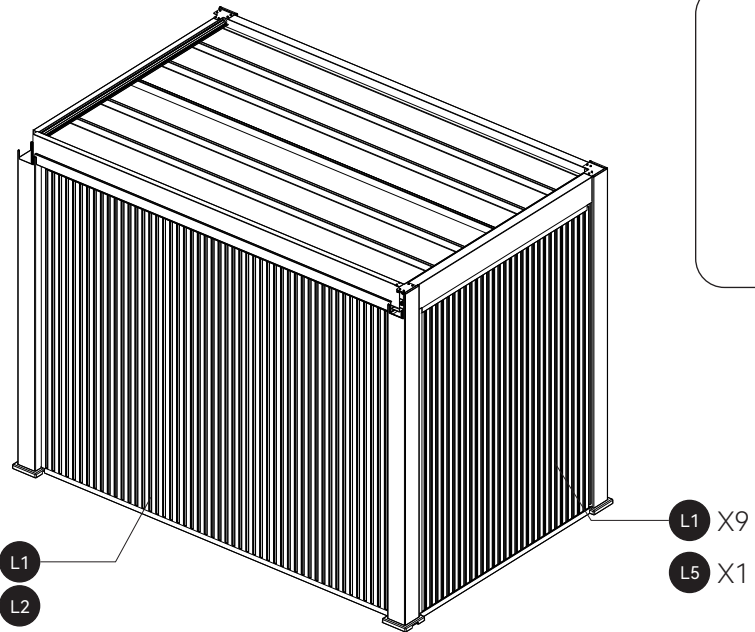


# Combination A+B+C+D

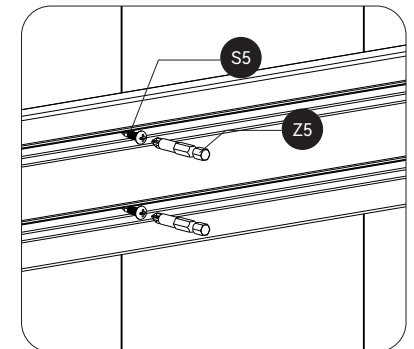
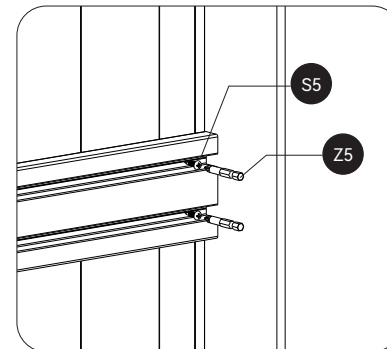
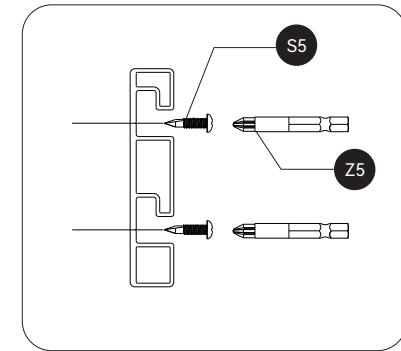
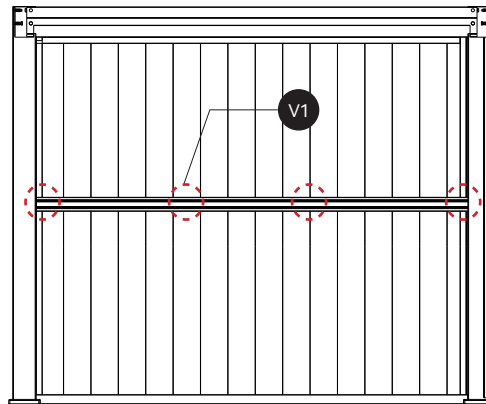
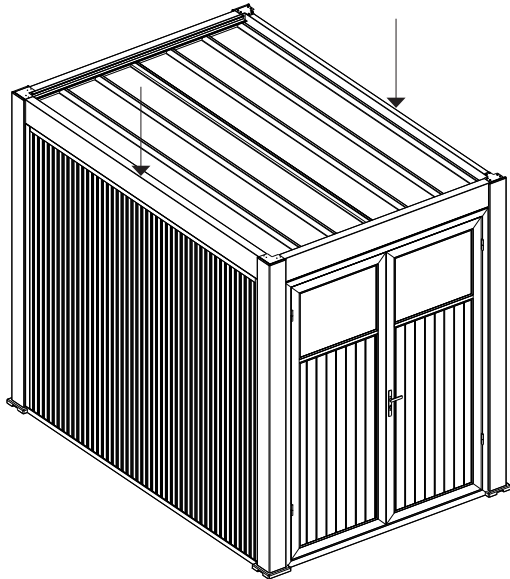
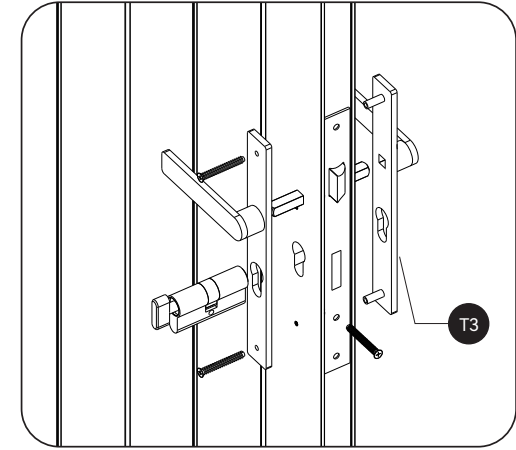
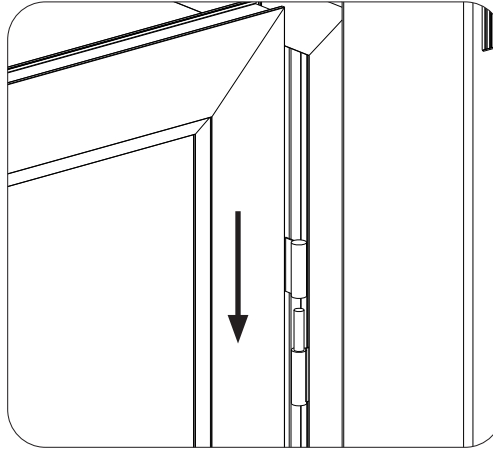
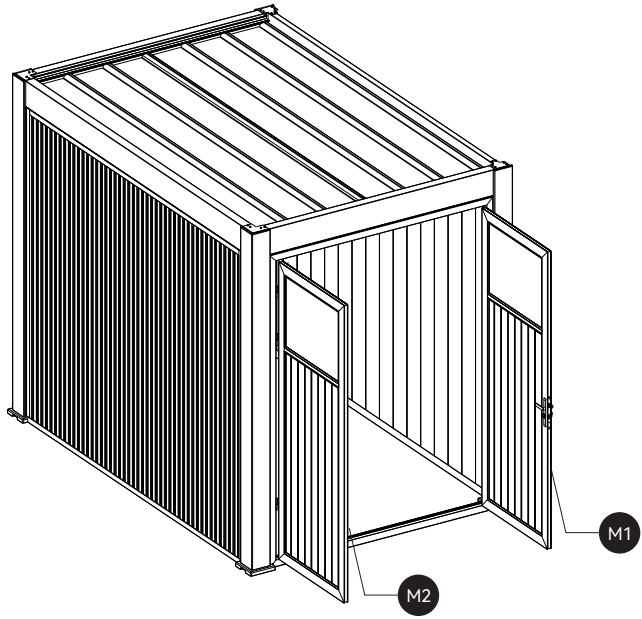
S5	 4x16	12
----	----------------------------------------------------------------------------------------	----

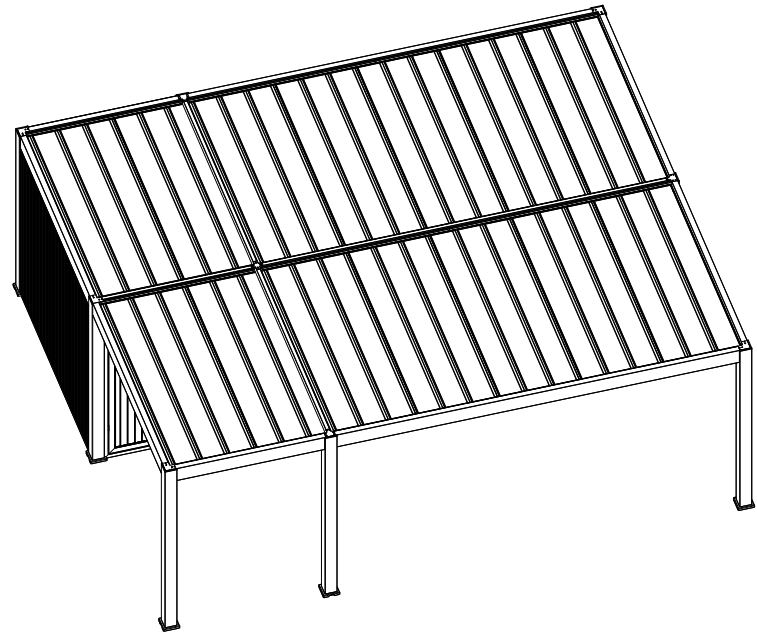
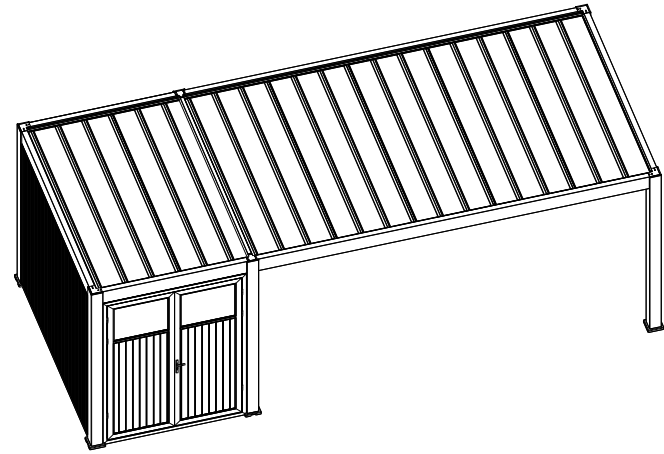


X15 L1  
X1 L2



# Combination A+B+C+D





# CARPORT + STORAGE