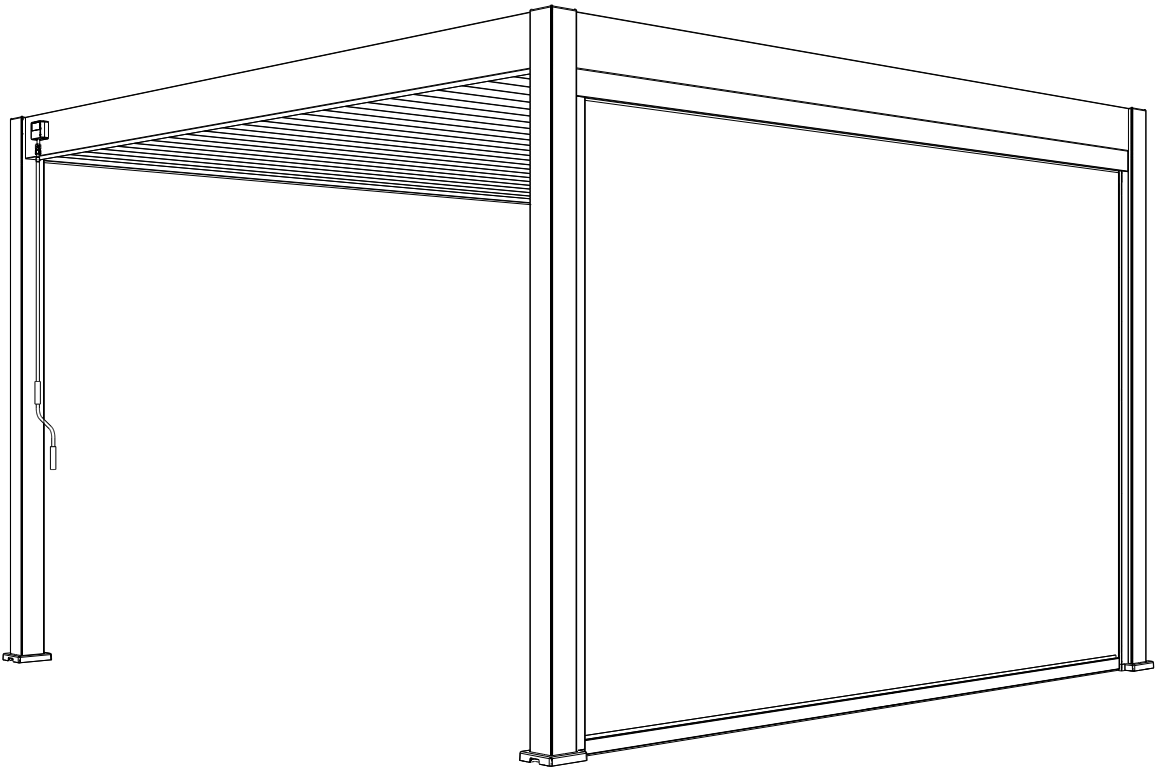


live life outside

FORAVIDA

Wind Screen

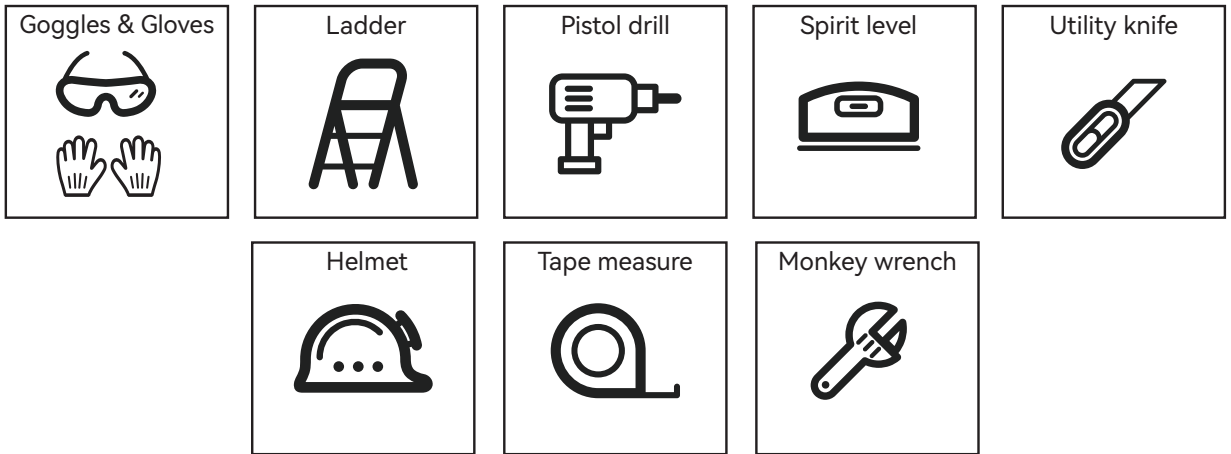
Assembly Instructions



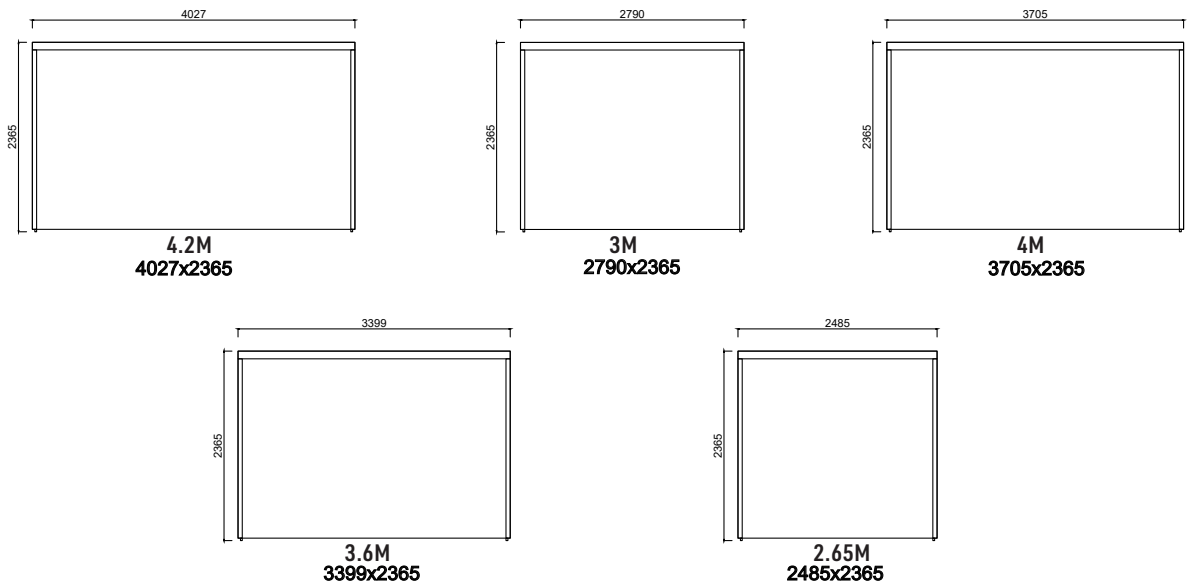
Wind Screen

Please read the following instructions completely before you begin assembly. Any errors made during installation are not covered by the product's warranty. If you have any questions during the installation process, please call us .


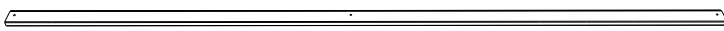


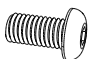

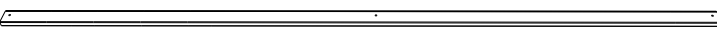



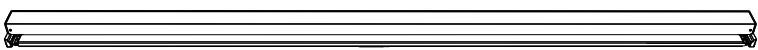
NECESSARY TOOLS AND SAFETY GEAR(NOT SUPPLIED)

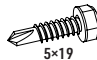




2D&3D FOOTING MEASUREMENT



CARTON LIST

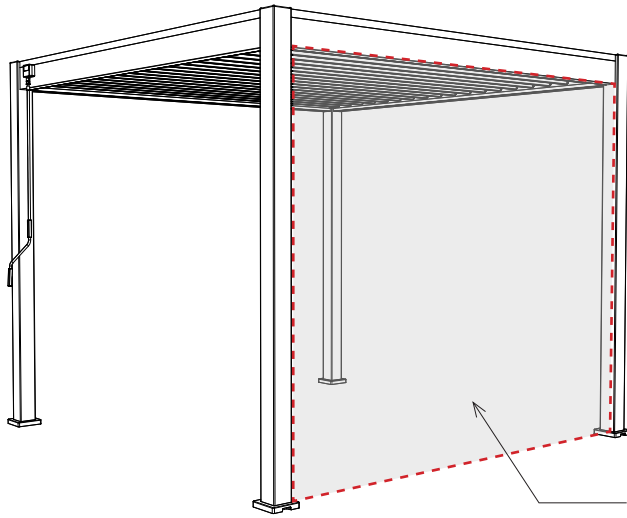
Reference	Parts	Quantity
A		1
	A-1 	1
	A-2 	1
	A-3 	1
	A-4 	3
B		1
	B-1 	1
	B-2 	1
	B-3 	1
	B-4 	3
C-1		1

Reference	Parts	Quantity
K1	 5x19	8
K2	 3mm	1

Reference	Parts	Quantity
K3	 8mm	1

Before installation, please make sure the dimension should be correct as the diagram shows below, namely, $A1=A2=A3$ and $AX=BX$.

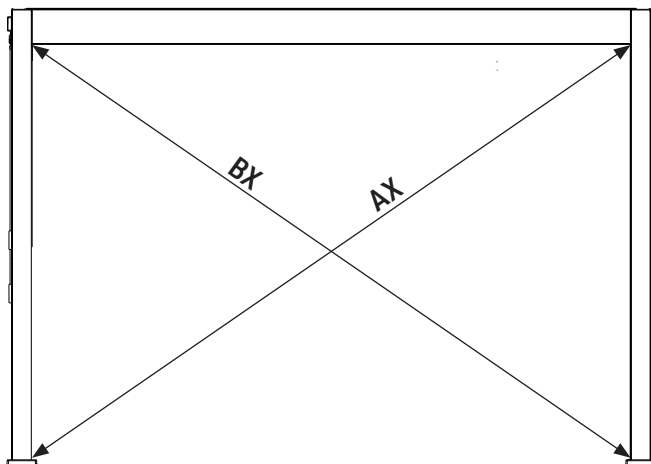
Please do not install the wind screen if the dimension is incorrect. Please adjust the finished size before installing.



Please choose which face to install the wind screen.



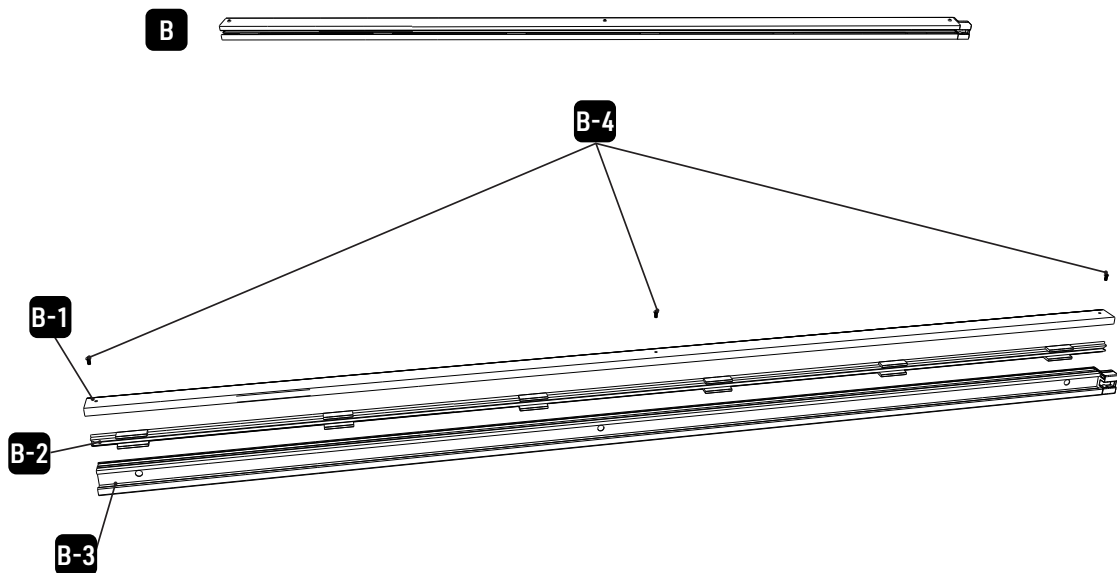
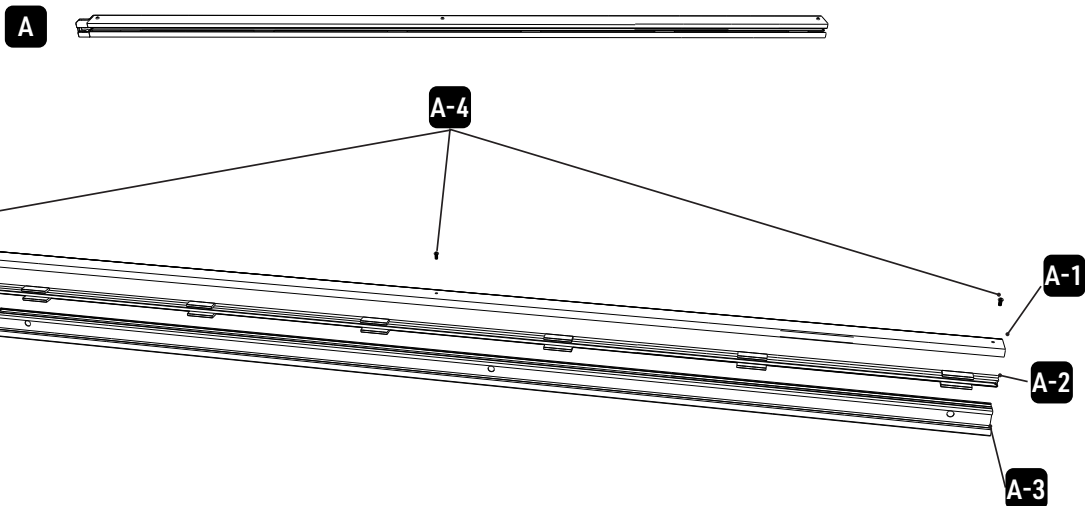
$$A1=A2=A3$$



$$AX=BX$$

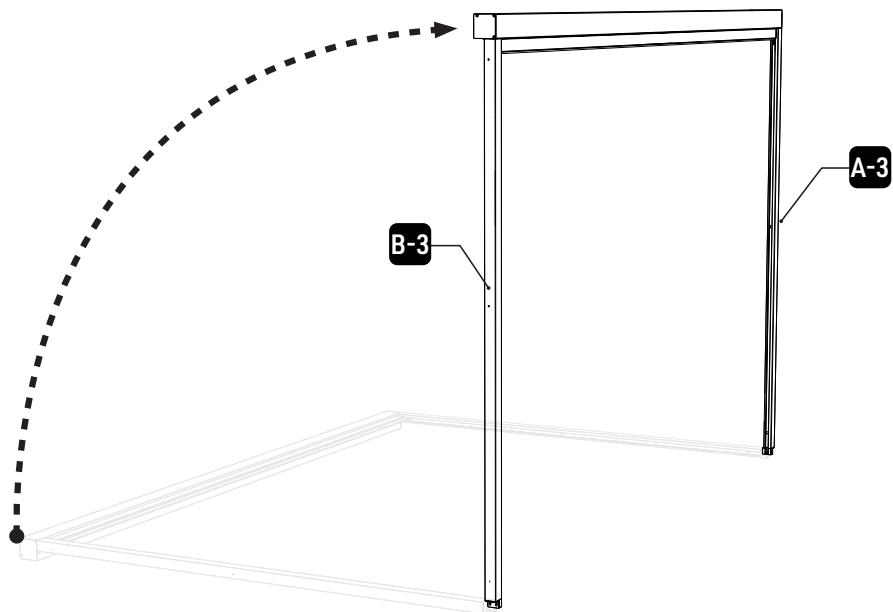
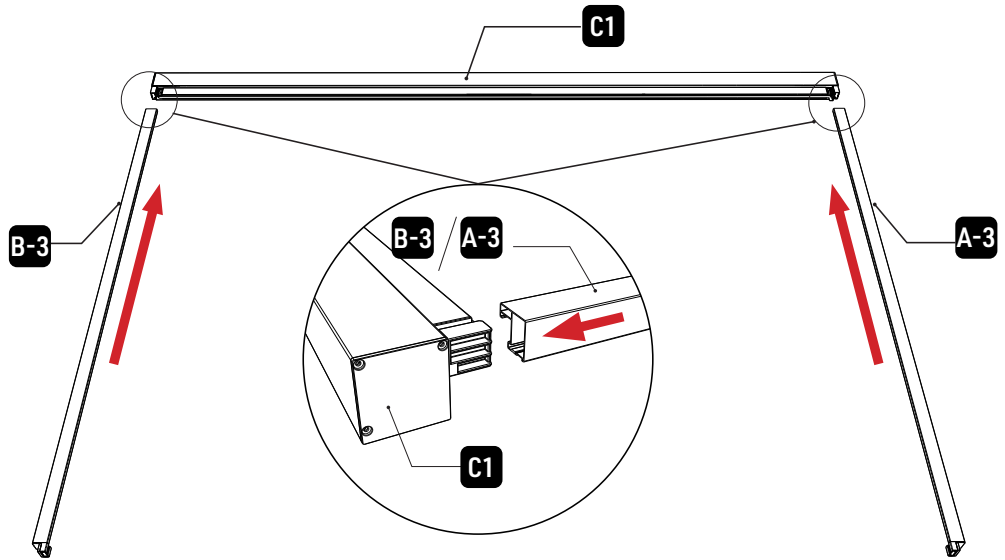
STEP 1

Disassemble the post **A** and **B** as shown above.



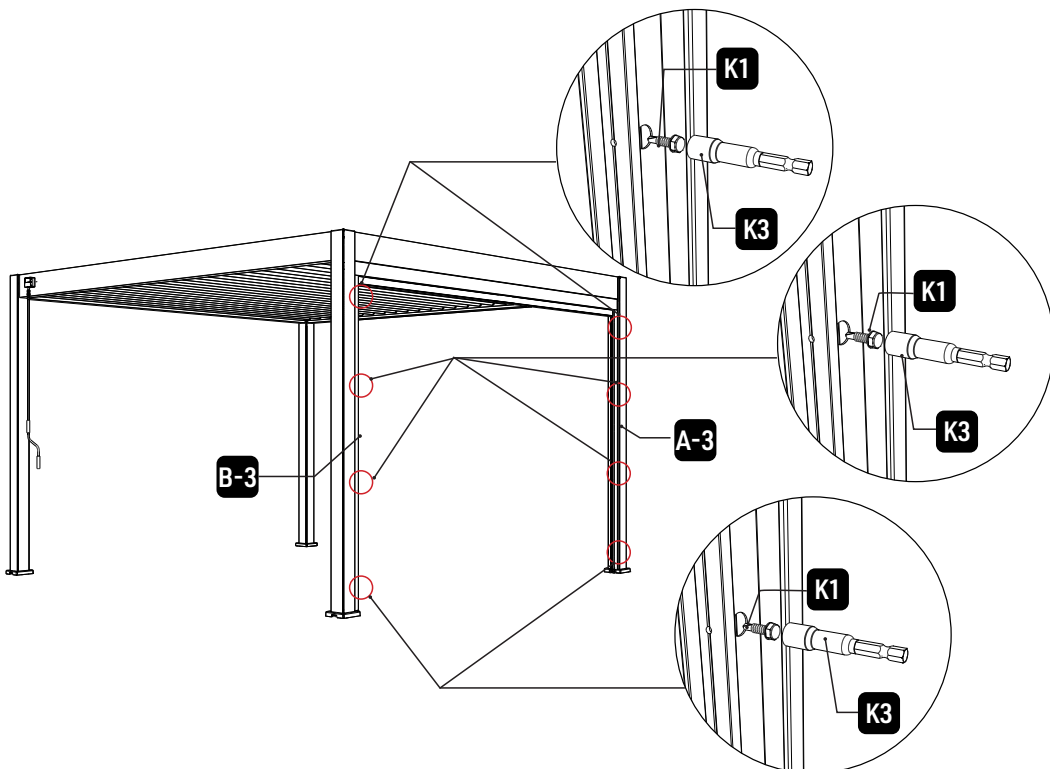
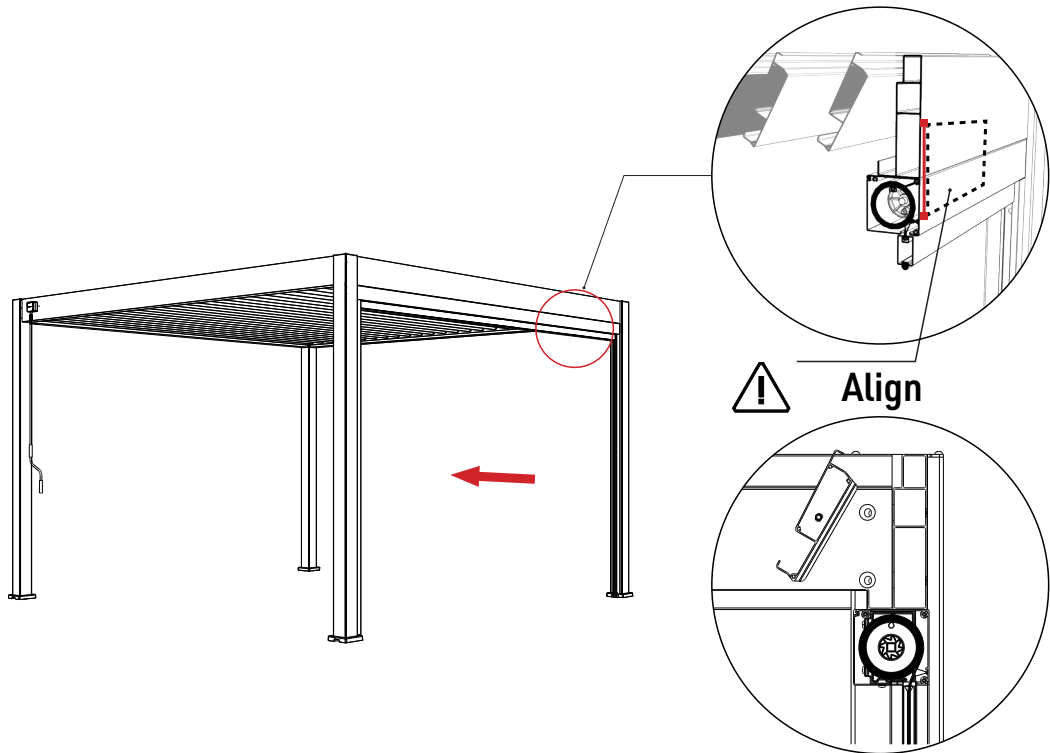
STEP 2

Insert A-3/B-3 into the side panel of wind screen box (C1).



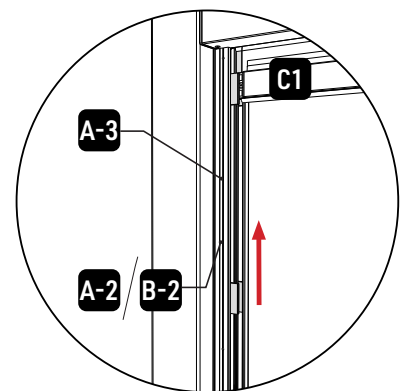
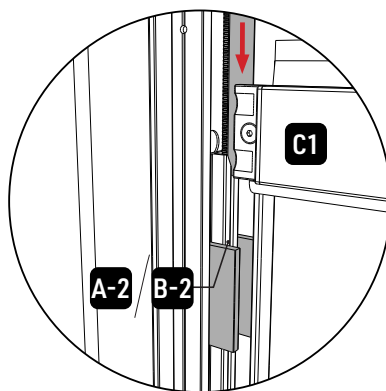
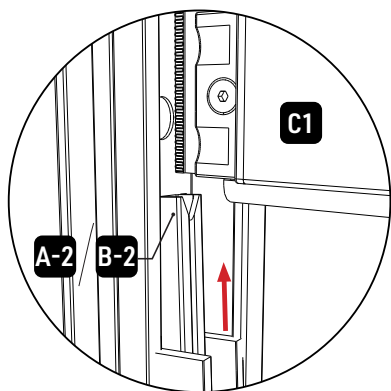
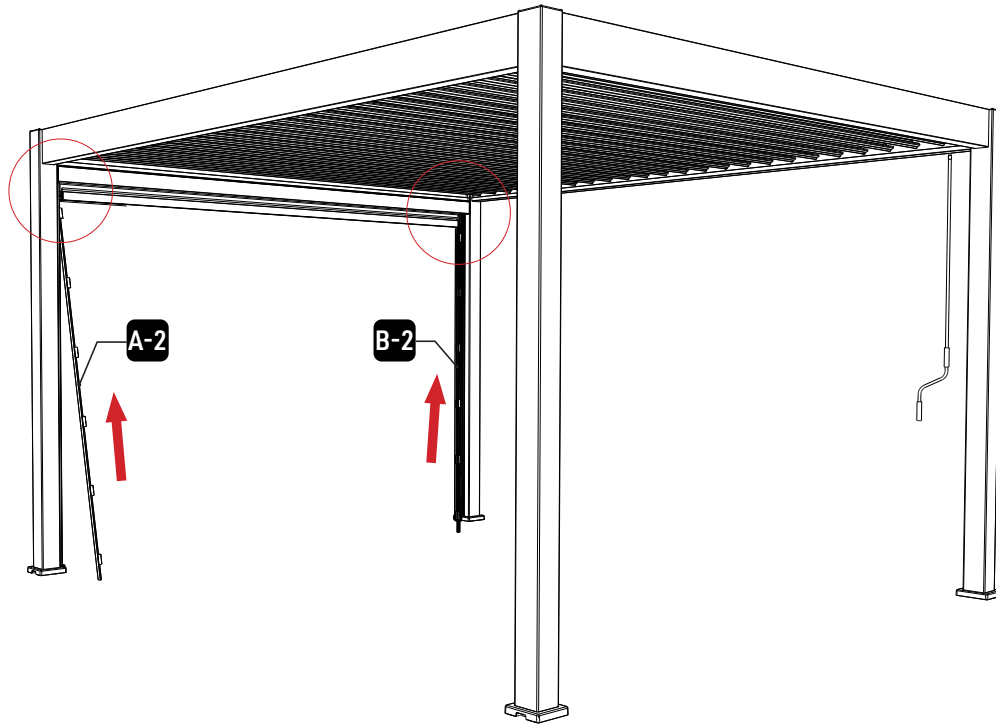
STEP 3

Put the frame up and make sure the outer face of wind screen box align with outer face of beam.



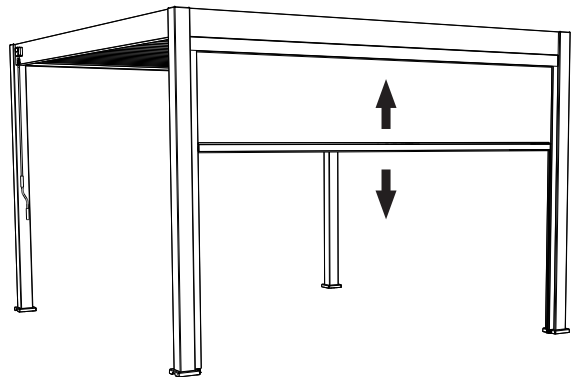
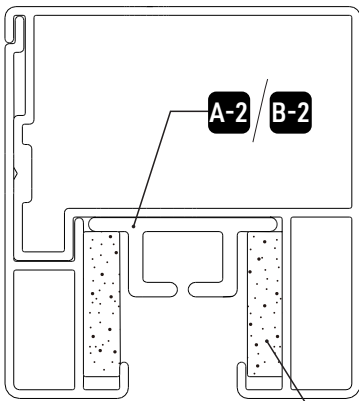
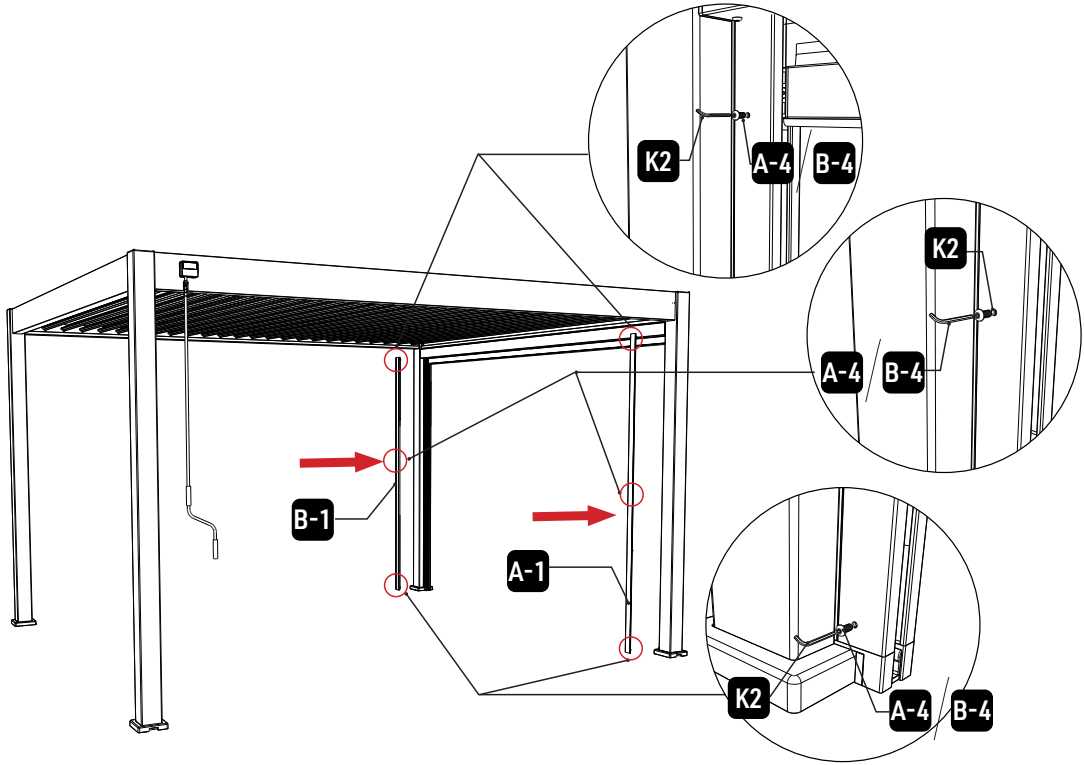
STEP 4

- Insert **A-2** diagonally into the channel of **A-3**.
- Make sure the notch of **A-2** meet to side zipper along the screen.
- Place **A-2** vertically into the channel of **A-3**.
- Repeat the same process in the other side.

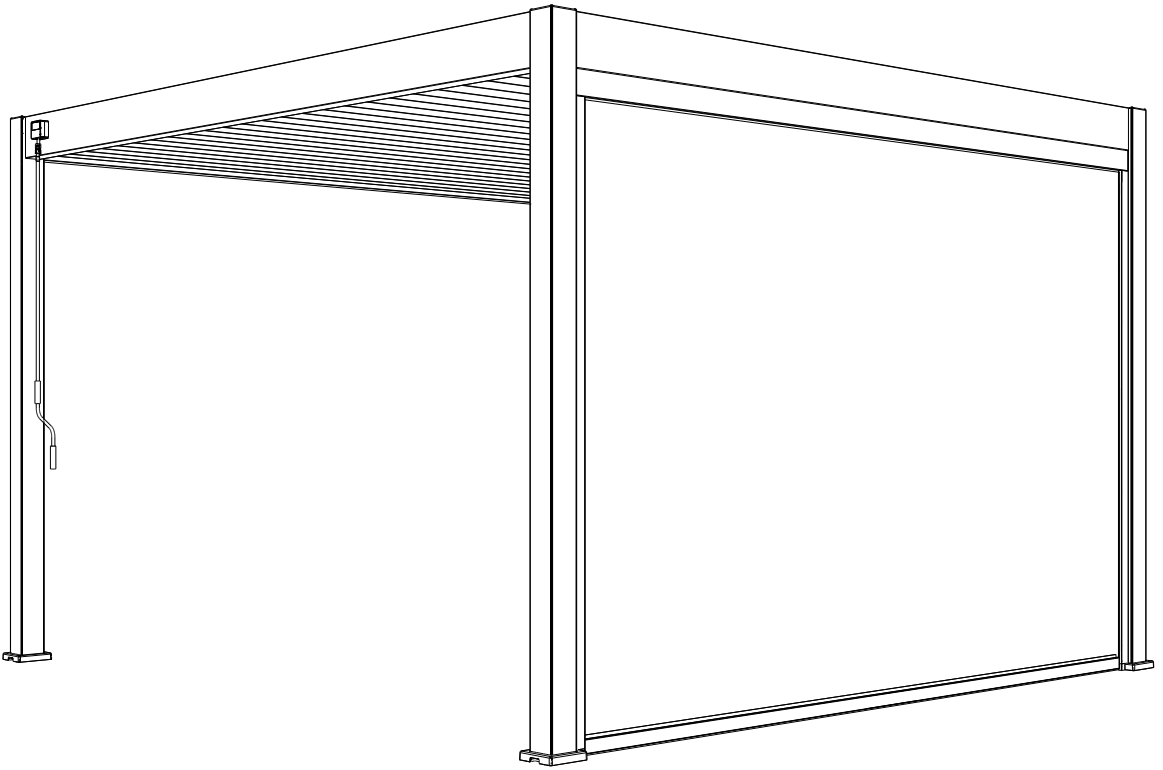


STEP 5

- Insert post cover (A-1/B-1) to the post
- Settle sponge block into right position (see below)
- Fix screw slightly (not to tight)
- Test the screen up and down
- Fix all screws when you confirm screen is running well.



Please make sure the foam strip on the sides of A-2/B-2 can be inserted into the U groove of the wind screen's frame.



Wind Screen

Assembly Instructions