

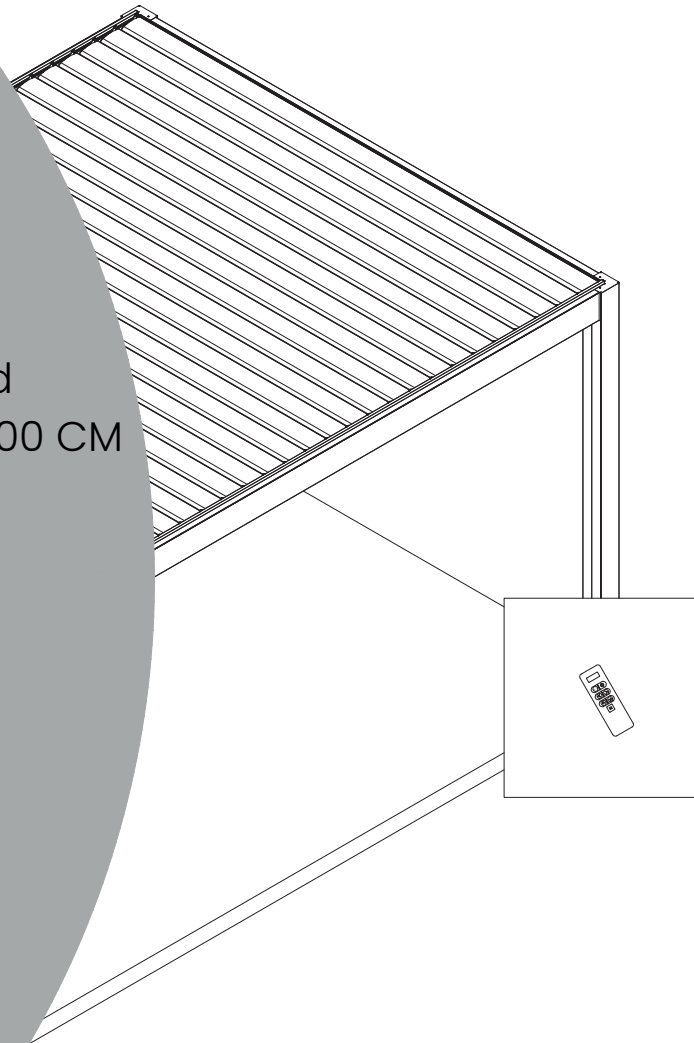
OWNER'S MANUAL

Assembly Instruction Manual for Freestanding
Pergola in General Version

Pergola

Operation: Motorized

Size: 300x500 CM / 350x500 CM
400x500 CM



Please read this manual before installing your
pergola for the first time.
Please keep this manual for future reference.

Safety Warning

- Installation requires a minimum of three people: one for measurement and marking, one for installation and one as an assistant
- Only concrete floor fasteners are provided. In the case where there is no concrete slab on the ground, it is recommended to make concrete slabs at each column. The concrete slab should be a minimum of 500x500x500mm.
- After the Pergola frame is assembled, use a square, level and ruler to measure the product level and diagonal to ensure the size of the pergola.
- Power tools are required: make sure they work properly and follow the safety instructions.
- Be careful when using sharp tools.
- Wear protective clothing including safety glasses, helmets and gloves.
- Don't climb or stand on the roof.

Safety Warning

- It is highly recommended to wear gloves for assembly.
- Do not install pergola during bad weather conditions, such as wind or rain.
- Do not touch any wires with aluminum profiles.
- Always wear protective shoes and glasses when installing pergola. Keep all plastic bags out of the reach of children.
- The pergola column must be positioned and fixed on a flat surface.
- Do not lean on the column during the assembly phase.
- Do not let children approach the scene during the assembly phase.
- Don't be near pergola in a storm or typhoon.
- Do not try to climb pergola under the influence of alcohol or drugs.
- When using ladders or similar tools and power tools during the assembly phase, be sure to follow the manufacturer's safety recommendations.
- Any hot tool, such as an electric drill, cannot be in contact with the pergola profile.
- Make sure there are no cables or other cables hidden underground before positioning the column.

General Advice

- This pergola has several components and it takes at least 90 minutes to assemble. The pergola should not be positioned under a tree.
- If you connect the column directly to cement or a similar base, use the pre-punched holes on the supplied base.
- Check the number of profiles and fittings before assembly and use them according to the list of profile fittings for easy assembly.
- Put small pieces such as screws into a container to avoid loss.
- Please pay attention to the position of the transmission on the beam to avoid misplacement.
- Regularly clean leaves, snow or other objects off the pergola.

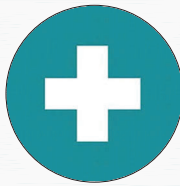
Maintenance and Repair

- To clean pergola, use a mild detergent and rinse with water.
- Do not use acetone or abrasive cleaning products to clean the surface of the aluminum profile.

Safety Warning

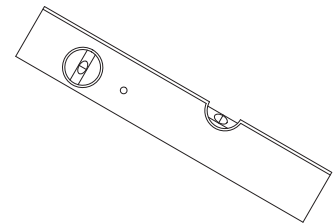
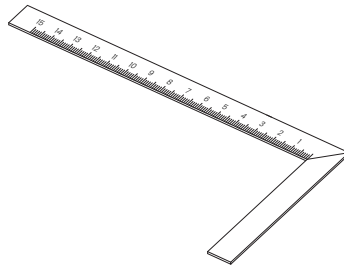
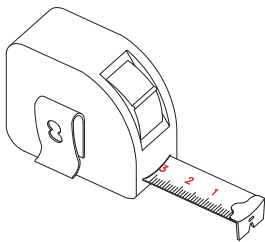
Protective Equipments:

1. Helmet
2. Gloves
3. Emergency first-aid kit
4. Protective glasses



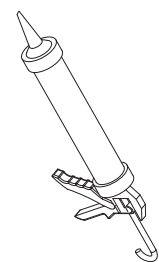
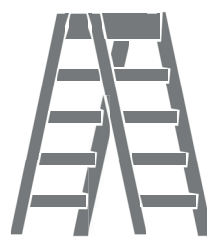
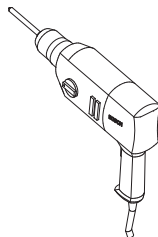
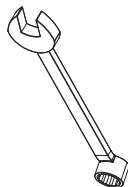
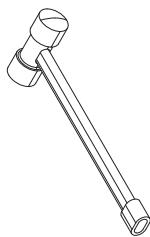
Measuring Instrument:

1. Tape measure (6 metres or more)
2. Square ruler
3. Level

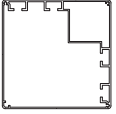
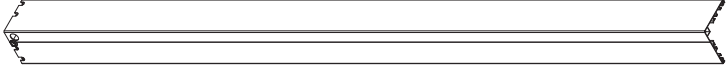
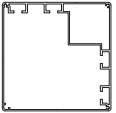
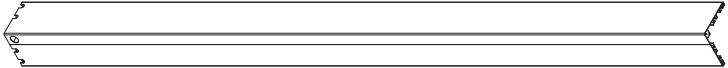
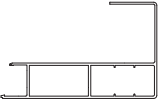
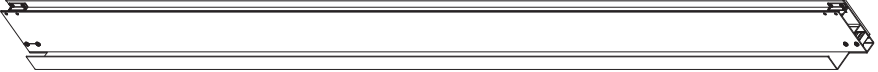

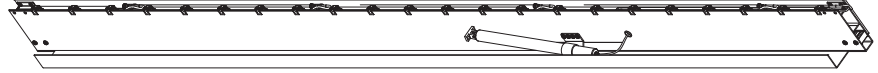
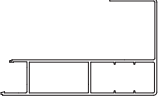
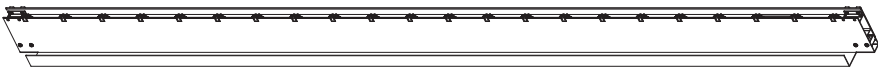
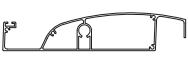
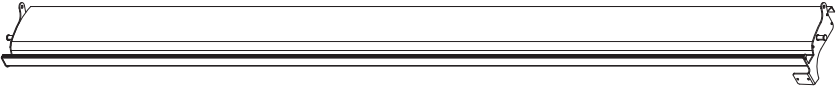
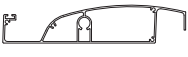
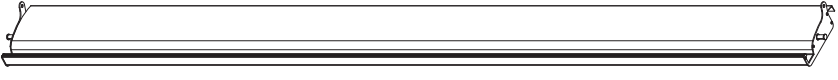
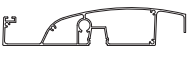
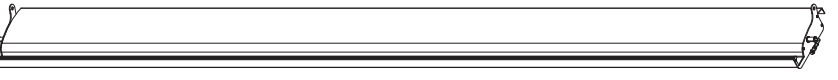
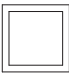





Tools:

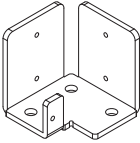
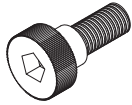
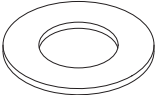
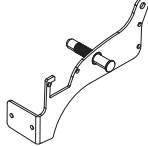
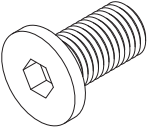

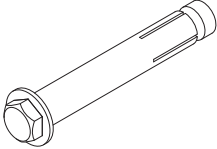
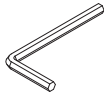

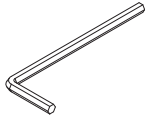
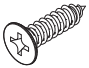
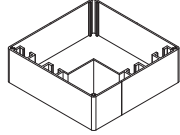
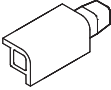
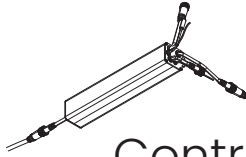

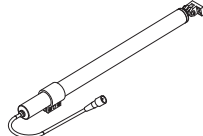
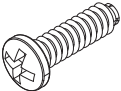
1. 2 metre ladder (1.5 metres or more)
2. 13mm hex wrench
3. 17mm hex wrench
4. Electric drill
5. Electric drill bit (10 mm drill bit)
6. Marker or pencil
7. Rubber hammer
8. Silicon and glue gun



5m projection Accessories List

A1	 x 1	
A2 ~ A4	 x 3	
B1 B3	 x 2	
B2	 x 1	
B4	 x 1	
C1	 x 1	
C2	 x 22	
C3	 x 5	
D1	 x 2	
E	 x 4	

Accessories List

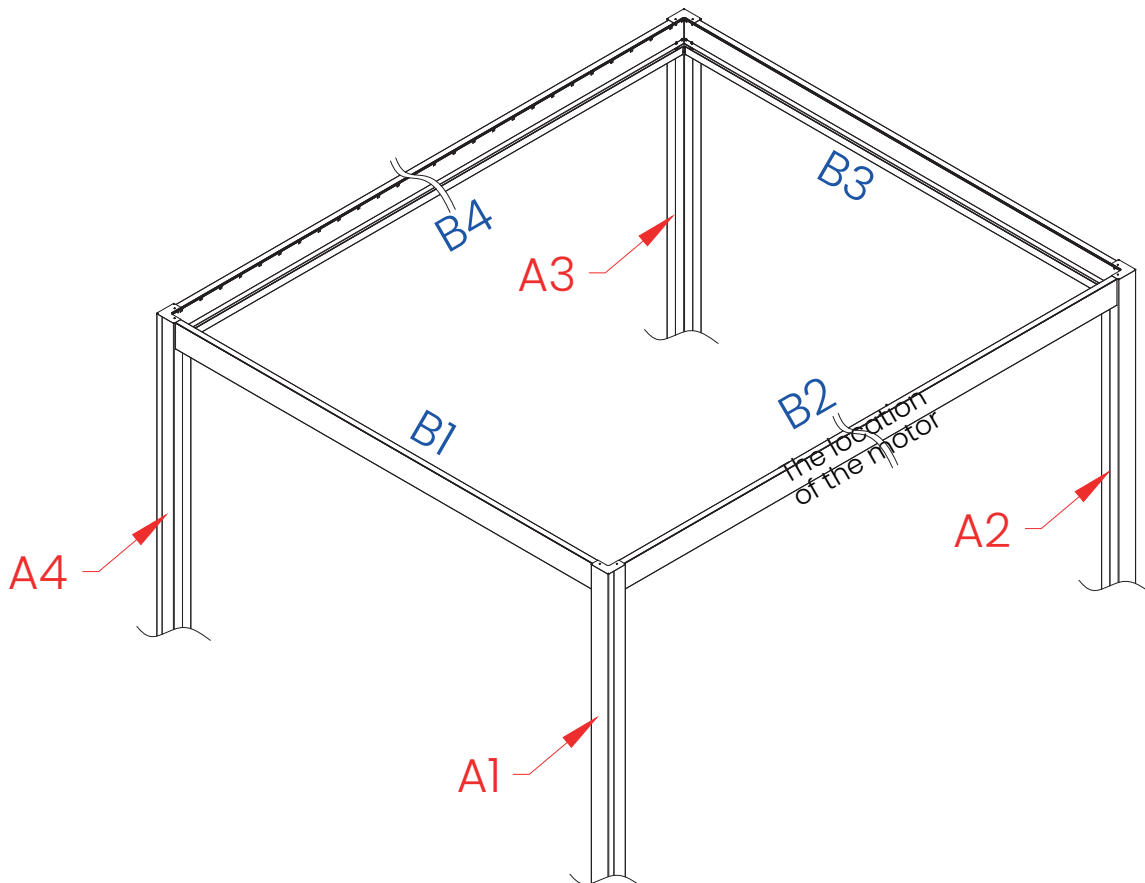
①		x 4	⑩		x 56
②		x 20	⑪		x 1
③		x 20	⑫		x 4
④		x 12	⑬		x 1
⑤		x 4	⑭		x 2
⑥		x 12			x 1 Post
⑦		x 4			x 1 Control System
⑧		x 56			x 1 Motor
⑨		x 112			

Safety Warning

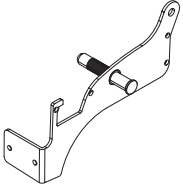


Installation Notes

- To take the goods out of the carton, 3 people are required to lift them up, put them on the ground lightly, and keep the ground level and clean, better to put a layer of cloth on the floor to prevent the profile from scratching.
- The goods on the ground should not be dragged, and avoid collision with metal surfaces or other uneven walls.
- After setting up the whole set pergola and test the pergola well, then proceed to remove all the surface film.



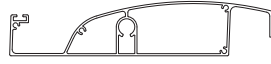
Fasten ⑪ to C1 by using ⑫



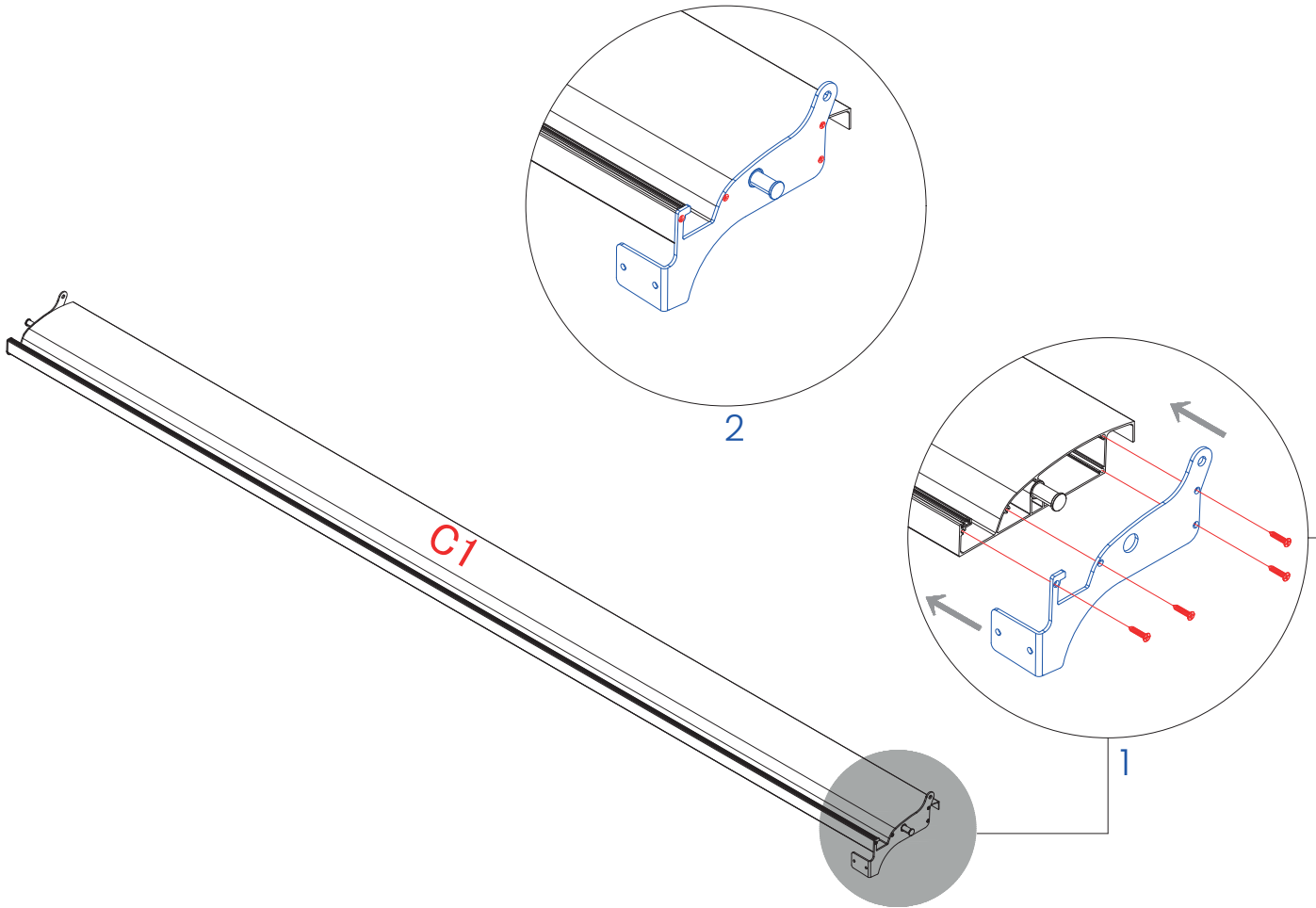
⑪



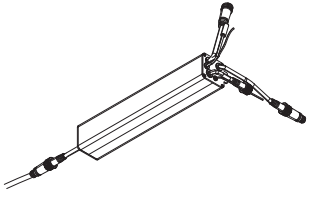
⑫



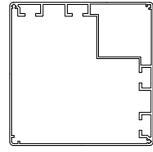
C1



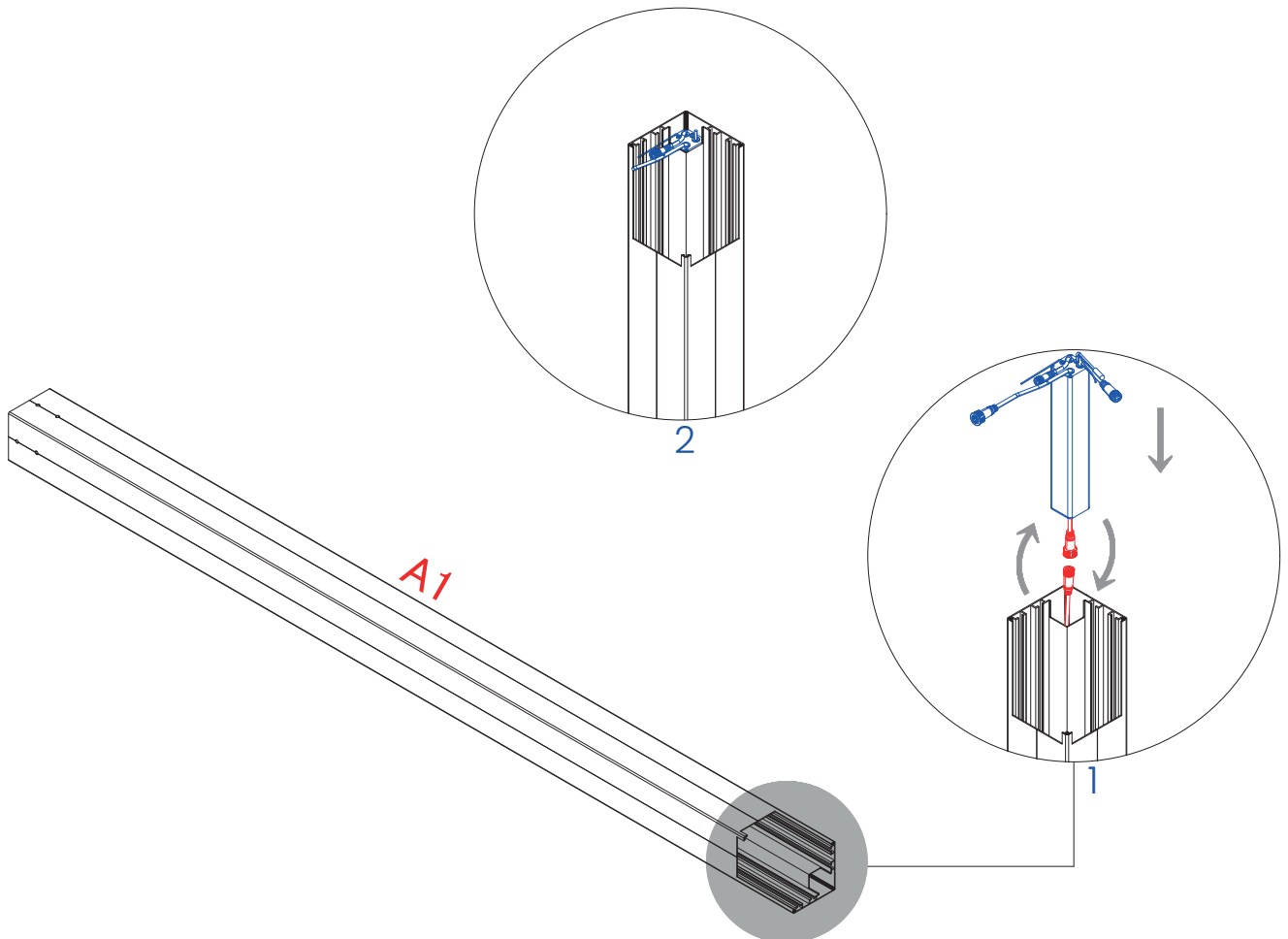
Connect the connector from bottom of the control system to the connector from A1. Then insert the Control System into the small square cavity of A1.



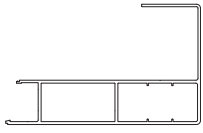
Control System



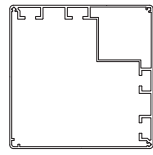
A1



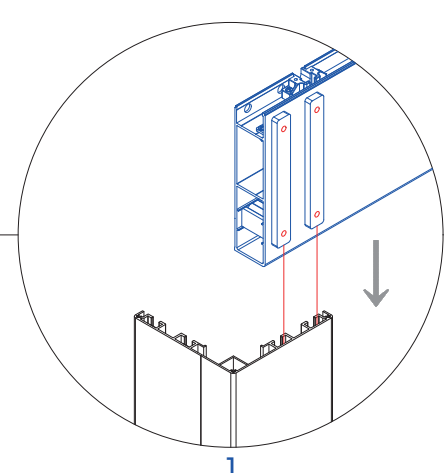
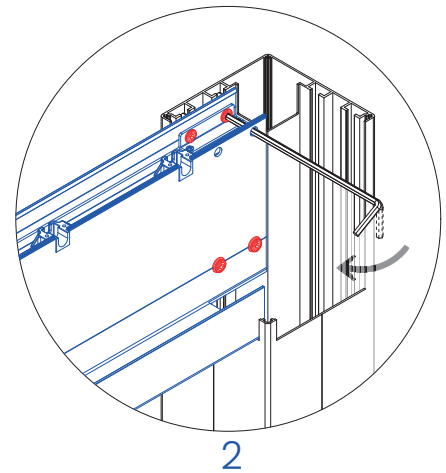
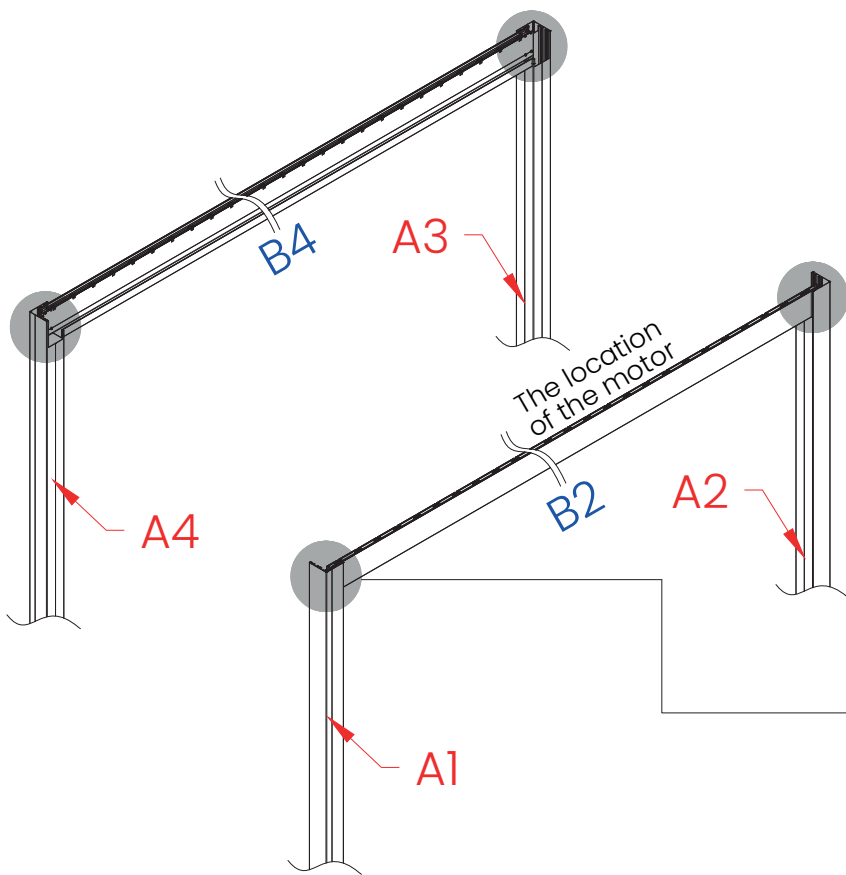
Assemble B2 and B4 with A1~A4.



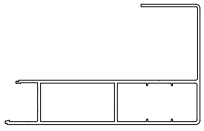
B2/B4



A1~A4



Assemble B1 and B3 with A1~A4. Then snap ⑦ into the top inner corner of the upper post.



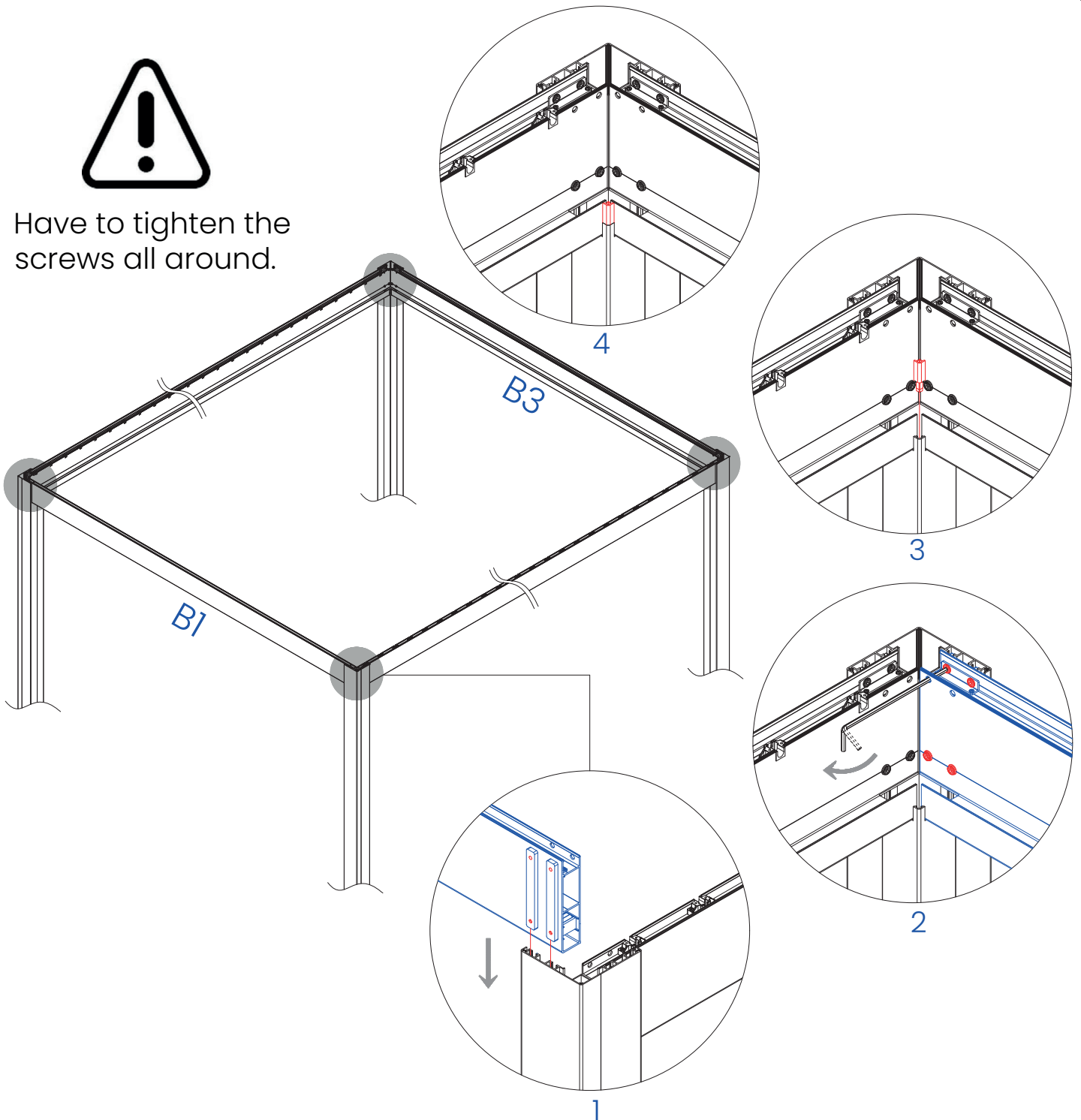
B1/B3



⑦

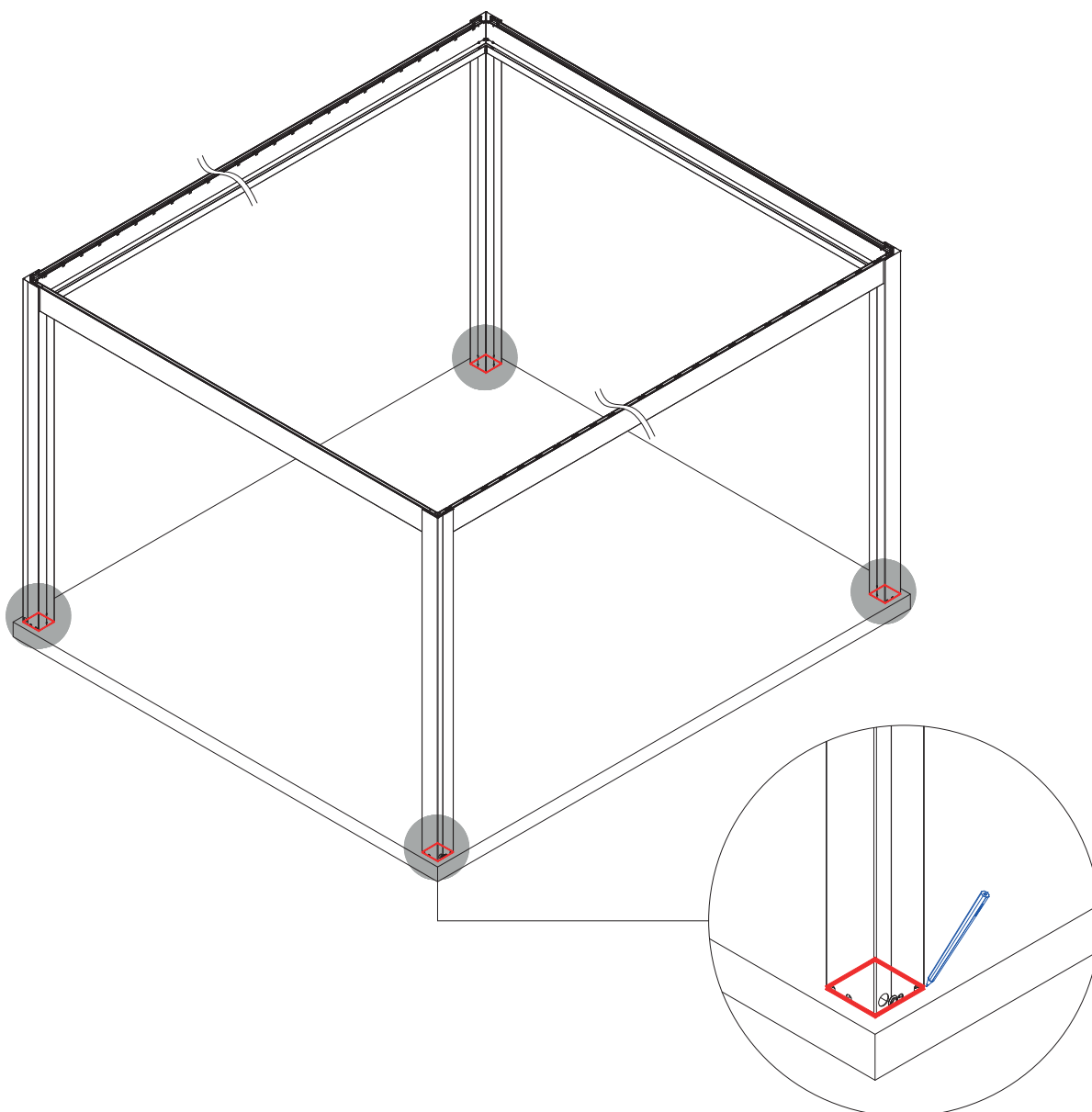
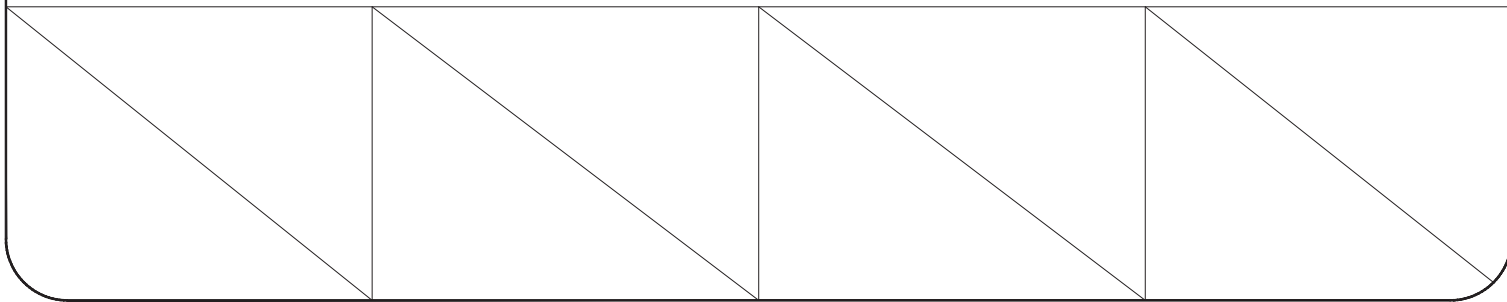


Have to tighten the screws all around.



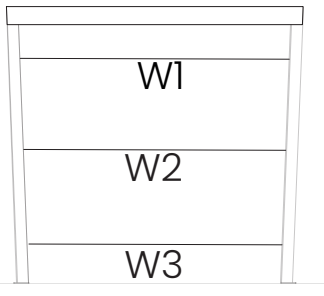
Measure the assembled frame with a level (not supplied) on the position where it will be installed, ensuring $W1=W2=W3$, $H1=H2=H3$, $X1=X2$, and the above tolerance should be less than 5mm (see the next page for details).

Then use a marker (not supplied) to mark the bottom of all the posts of the pergola that have been placed in the correct position (draw around the outer perimeter of the post).

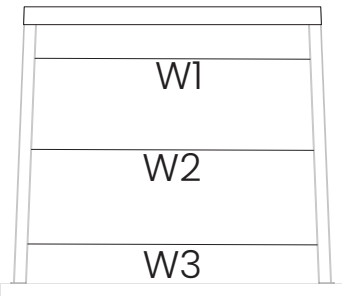




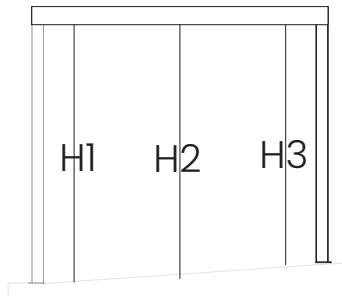
$W1 \neq W2 \neq W3$



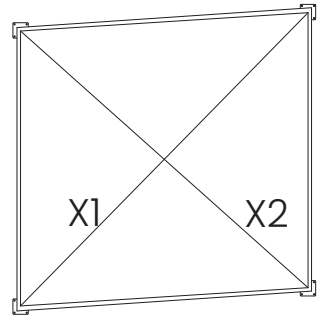
$W1 \neq W2 \neq W3$



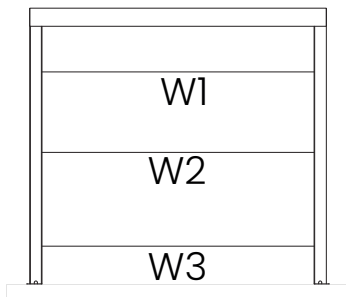
$H1 \neq H2 \neq H3$



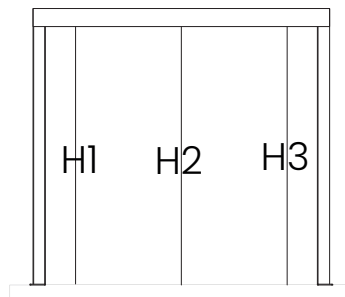
$X1 \neq X2$



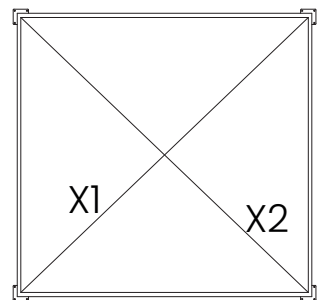
$W1 = W2 = W3$



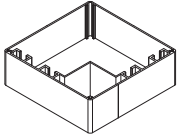
$H1 = H2 = H3$



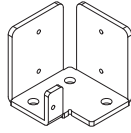
$X1 = X2$



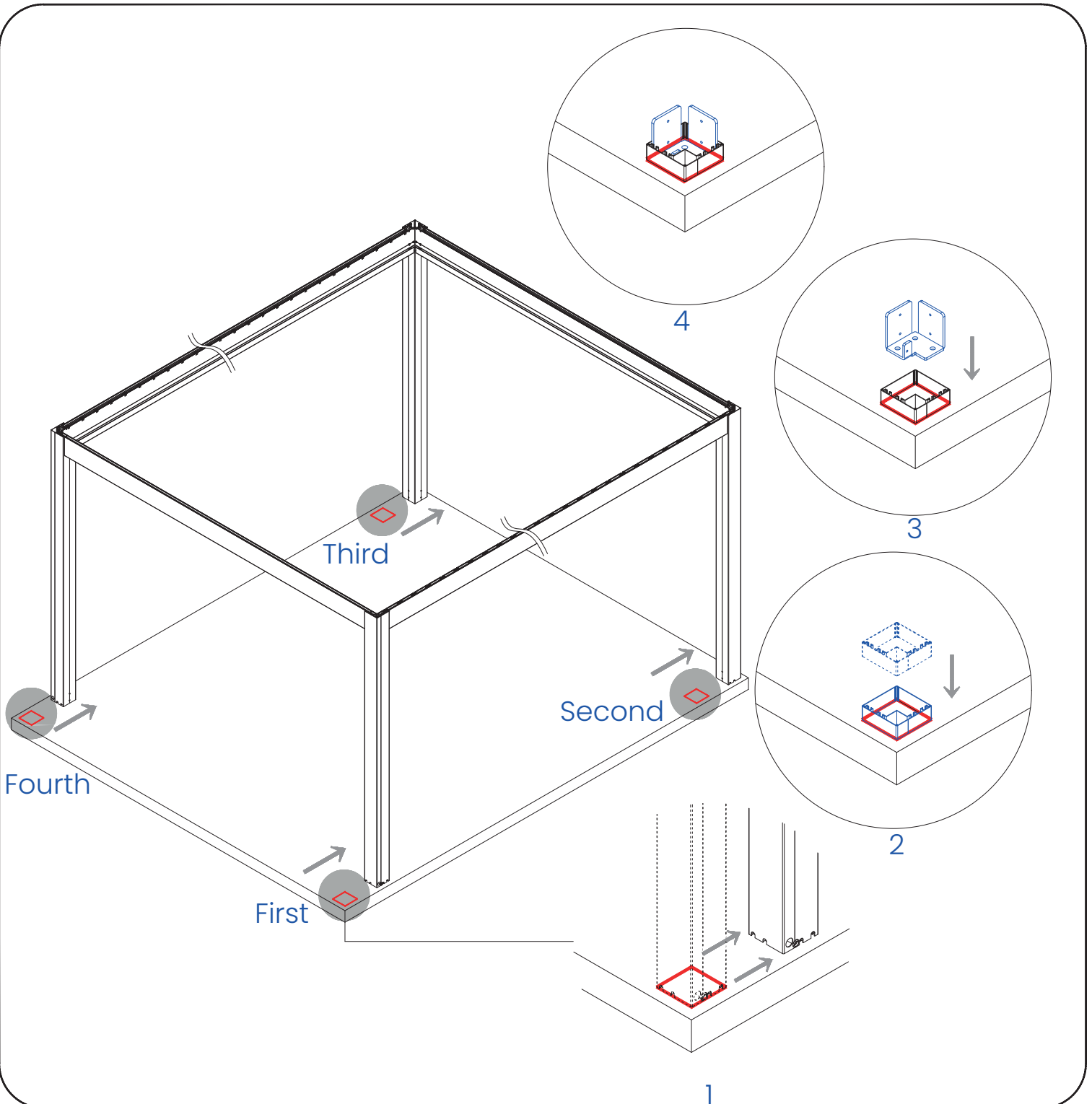
After marking with a marker pen, remove the assembled frame and place the Post on the marked marks, then place the ① into the Post, and mark the holes in ① where ④ needs to be punched with a marker (please do not make a mistake in the direction of ①). Then use a electric drill to make holes on the marked holes in ①, and finally install ④ on the holes (please see the next page for more details).



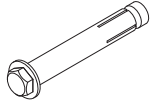
Post



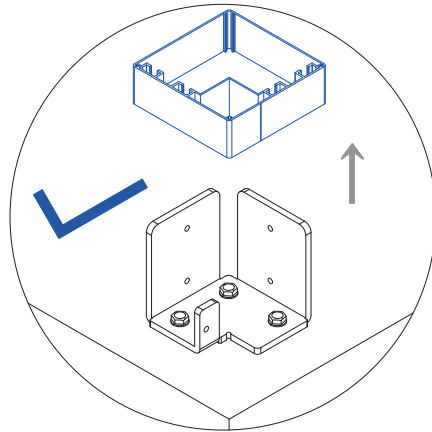
①



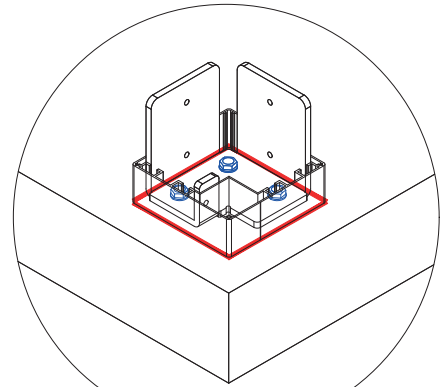
Please install ① by following the sequence one after another.



④



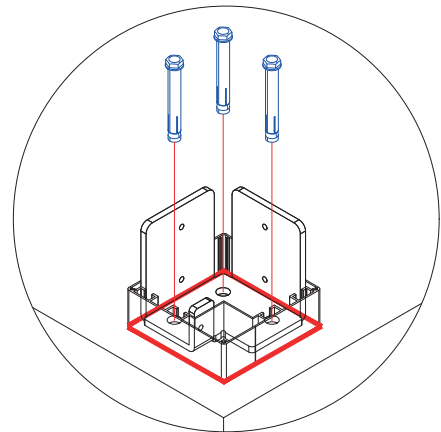
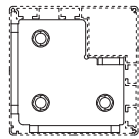
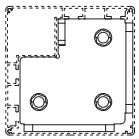
4



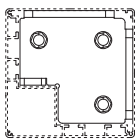
3

Third

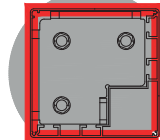
Second



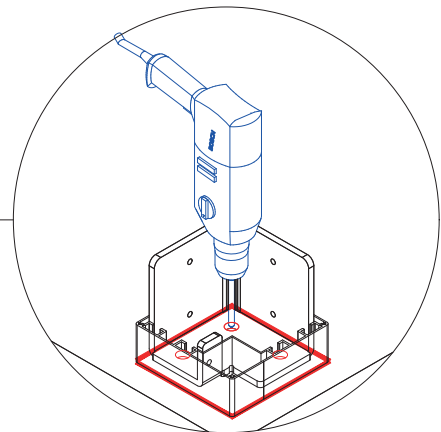
2



Fourth



First

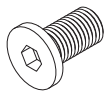


1

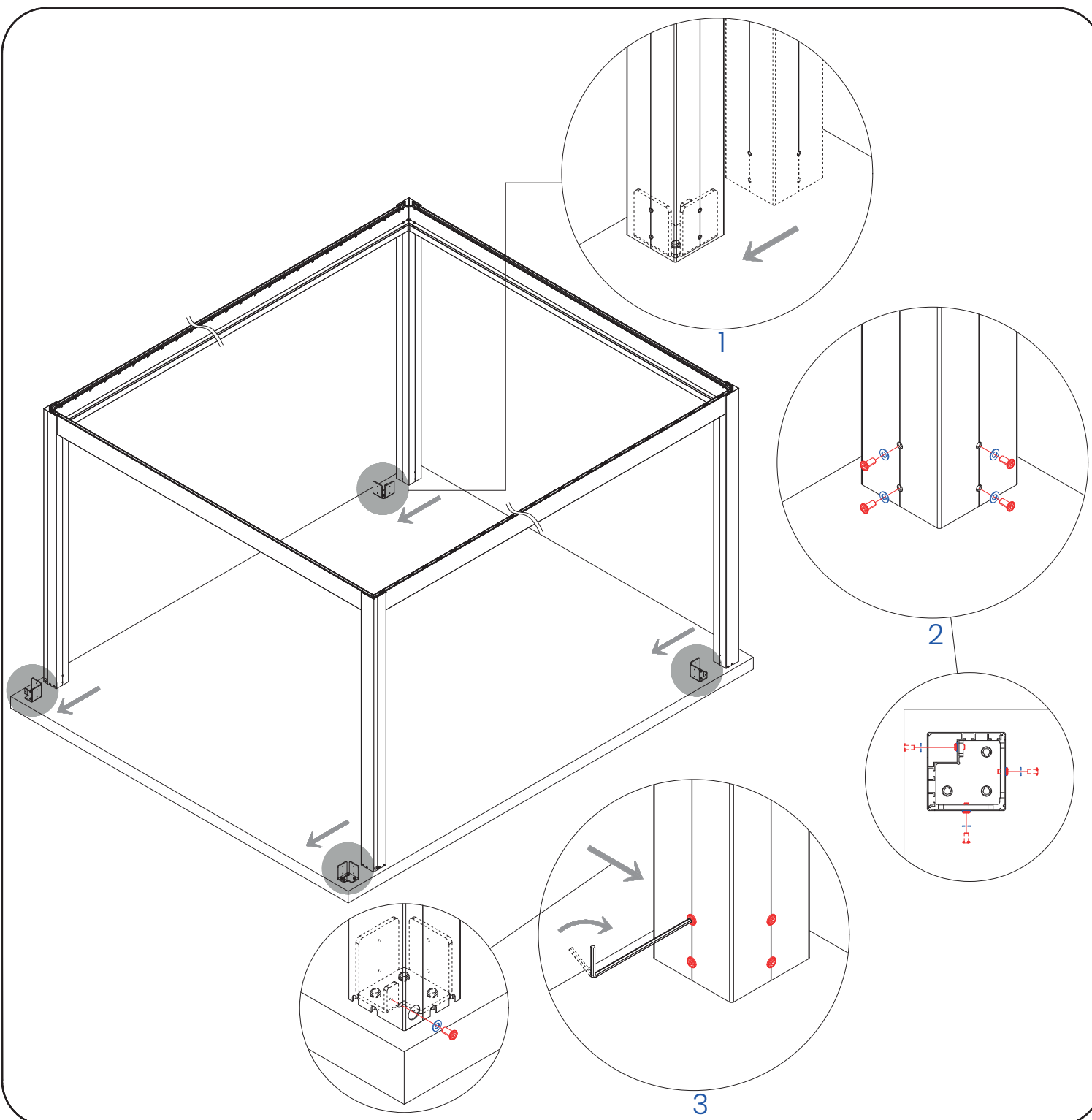
After completing the above step, move the assembled frame to the already mounted ①, then fasten the assembled frame to ① with ② and ③.



②



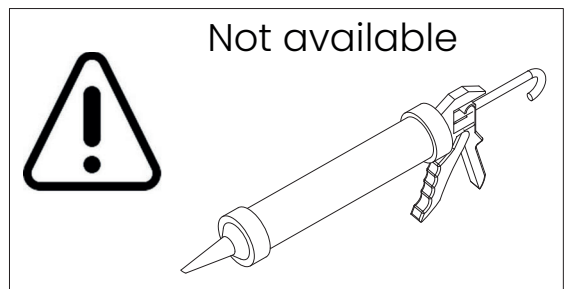
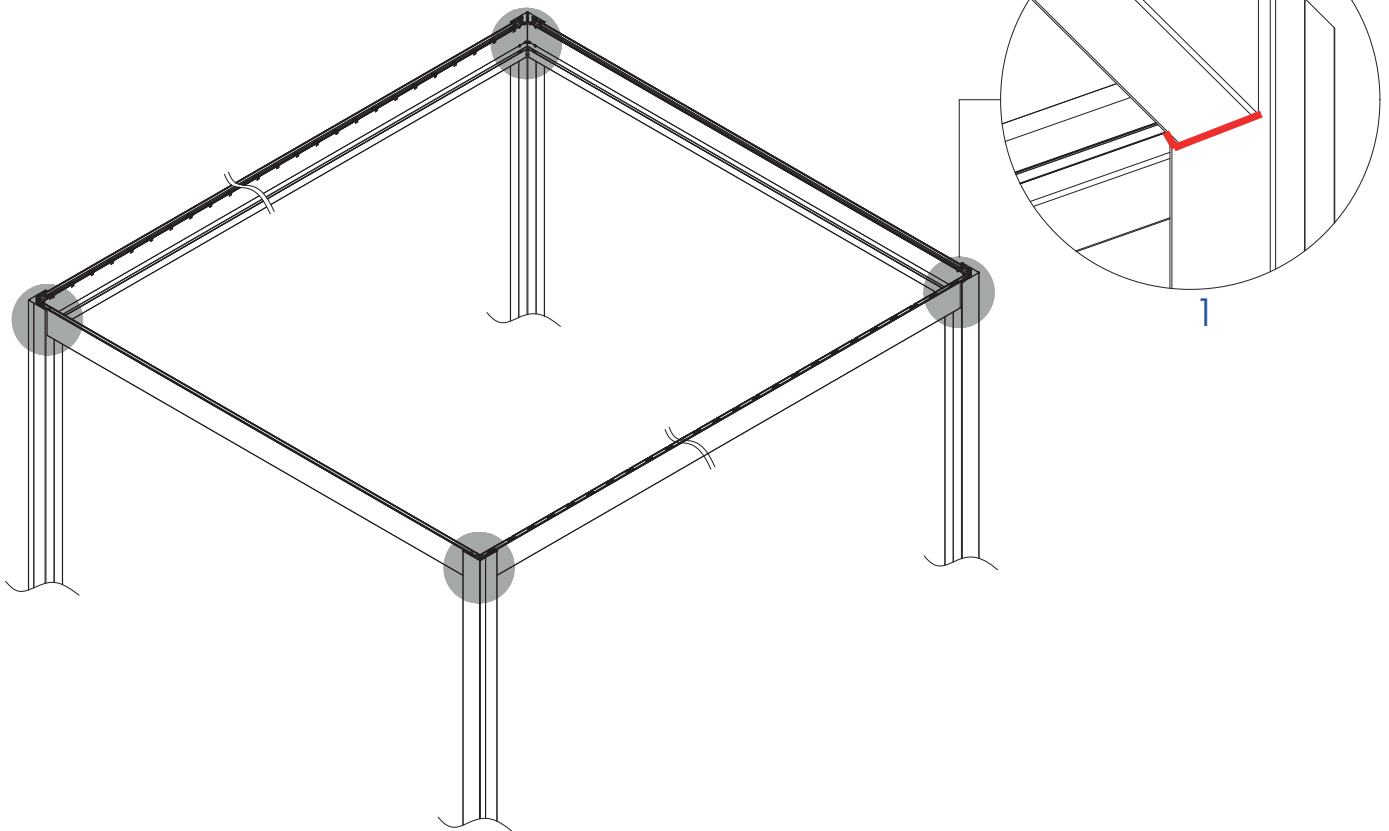
③



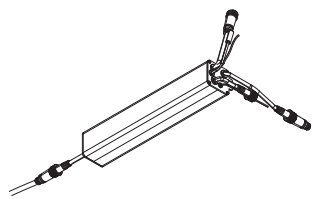


Sealant adhesive to the bottom contact surfaces of all beams

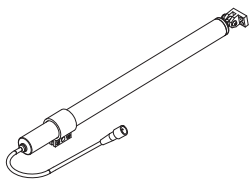
Bottom view



Connect the connector of the Motor and the connector of the LED light cable on the B2 to the connector on the Control System.



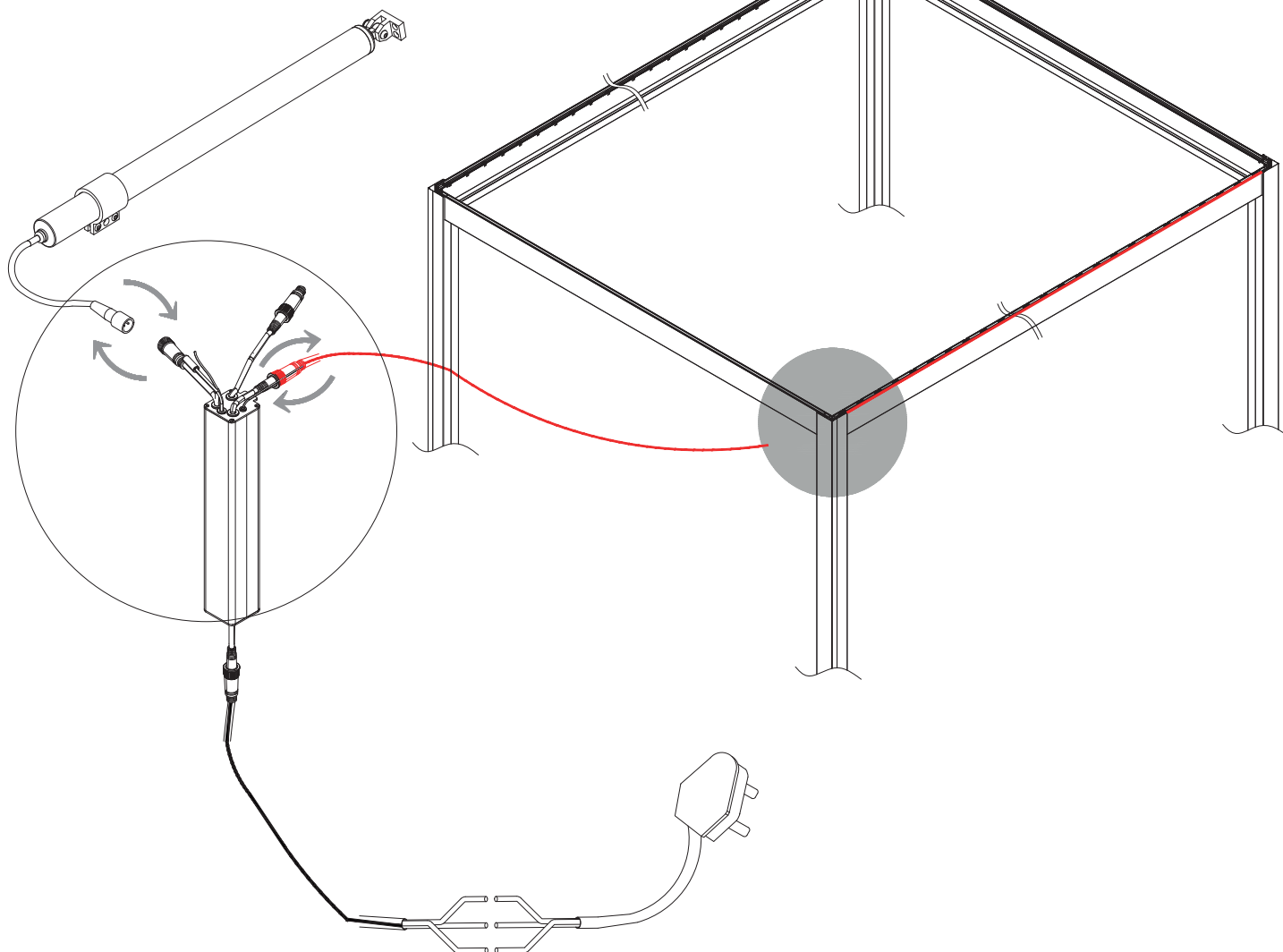
Control System



Motor

ATTENTION:

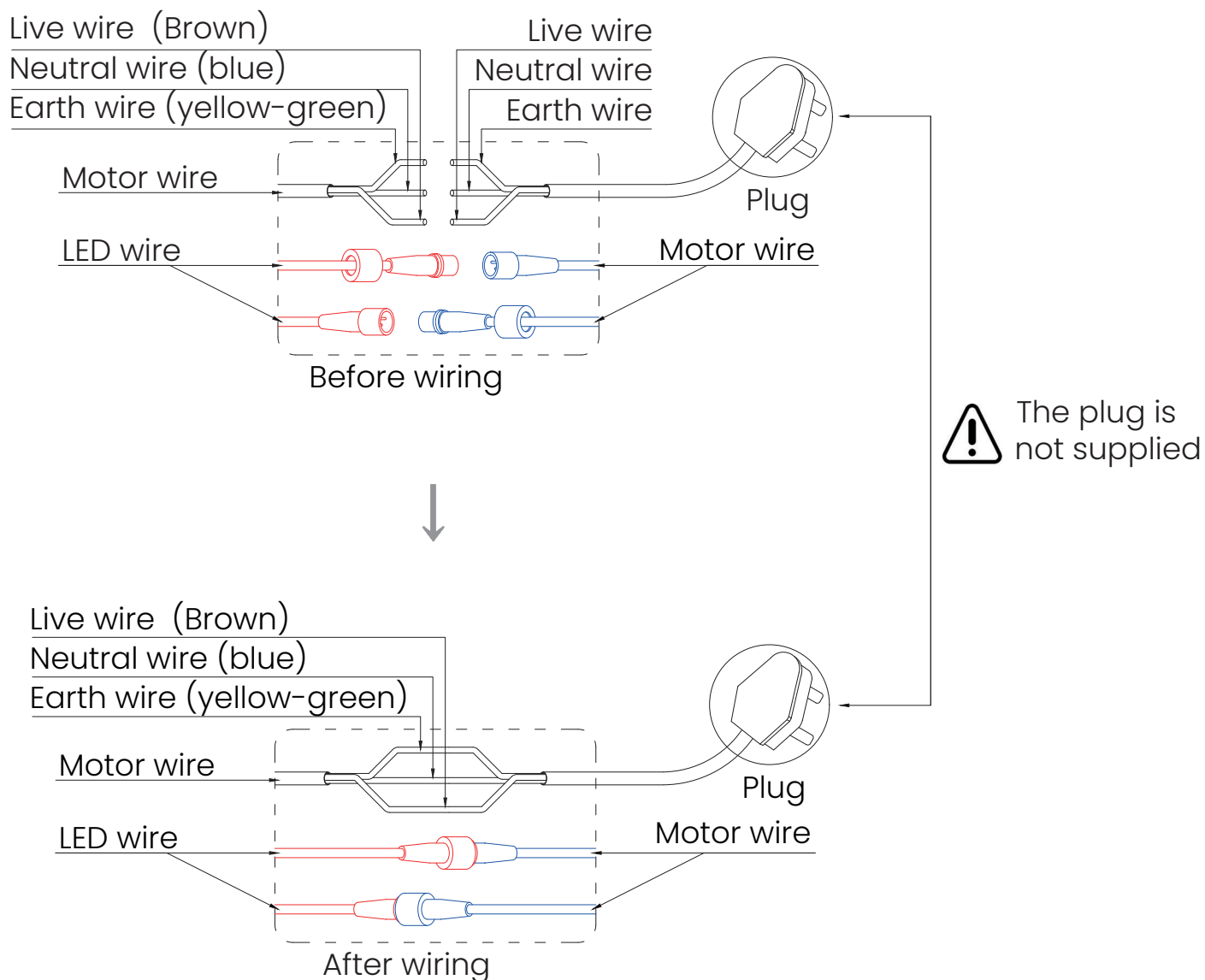
The motor can only be energized after all the louvers are installed.



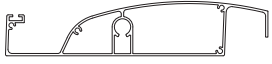


ATTENTION

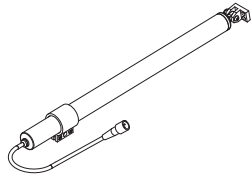
Please follow the steps to connect the wire correctly, otherwise the motor will be faulty.



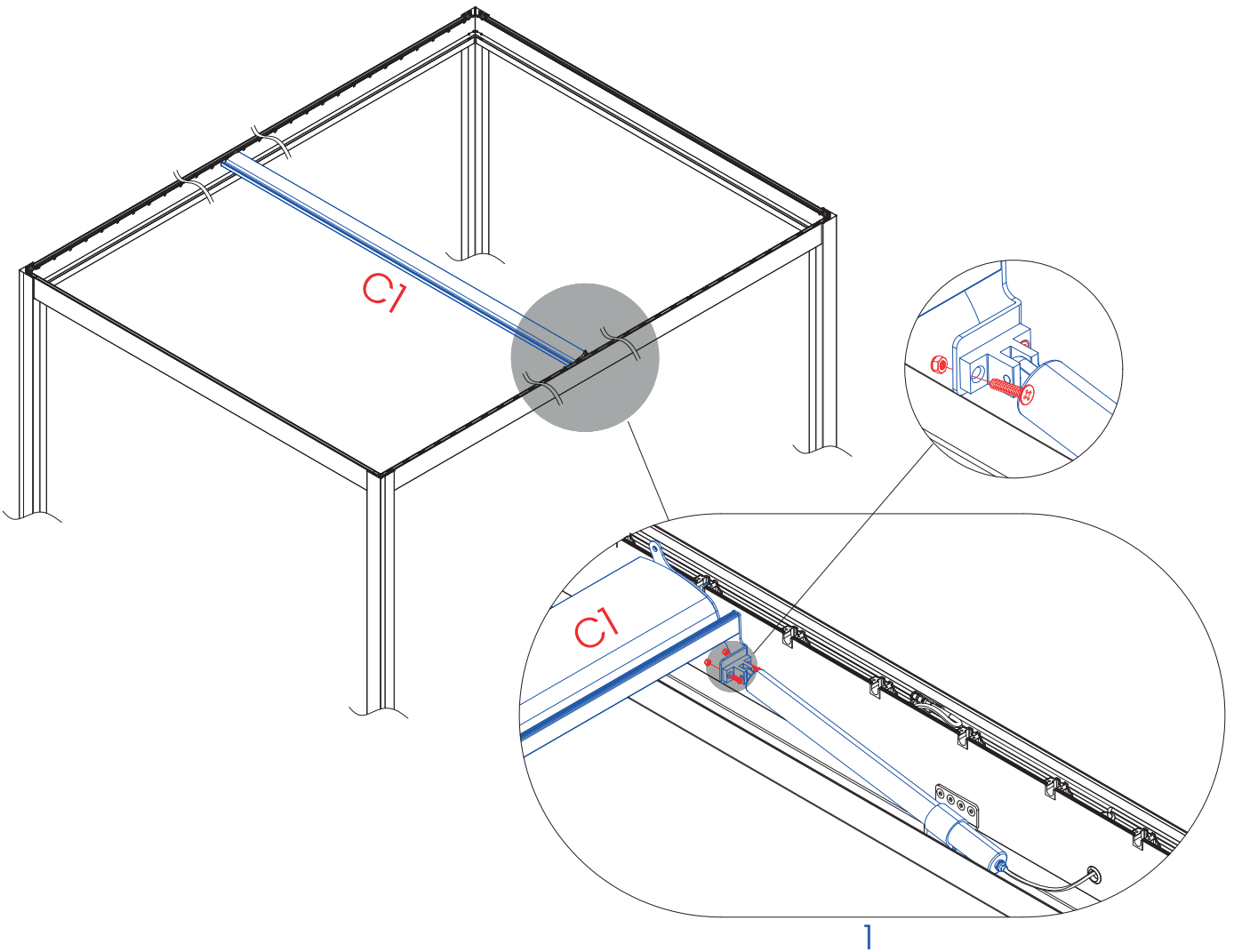
Place C1 in the correct position (see next page for details), then connect C1 to the Motor on B2.



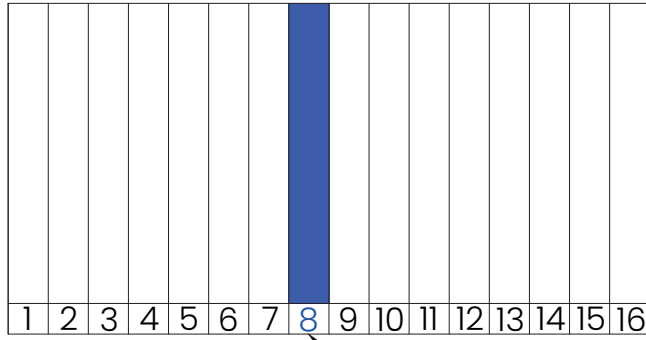
C1



Motor

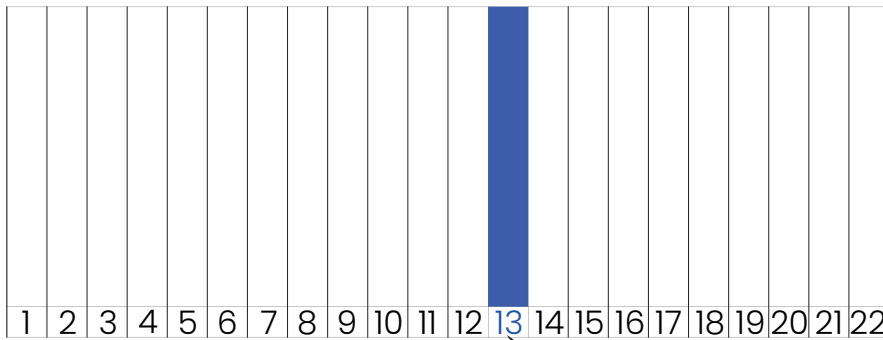


3m projection



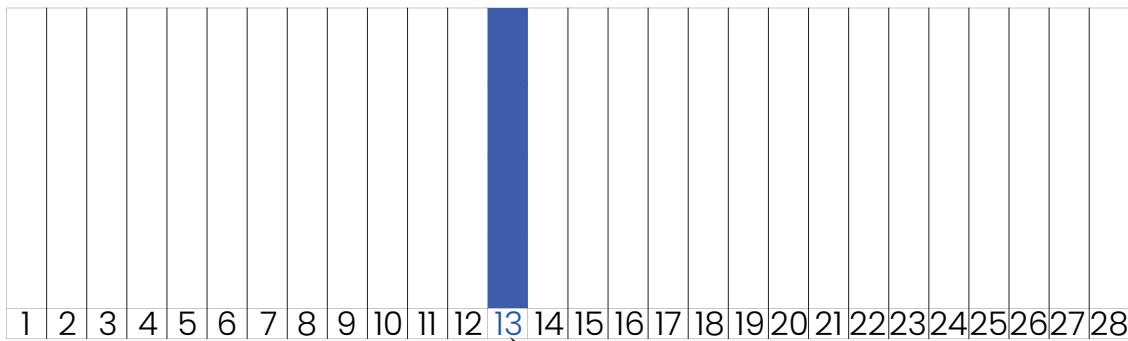
Position of **C1** and
position of the motor

4m projection



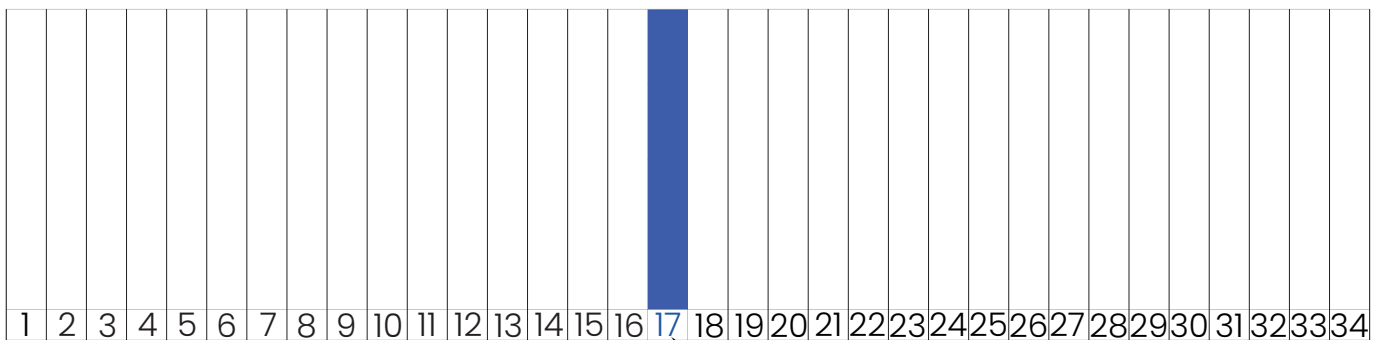
Position of **C1** and
position of the motor

5m projection



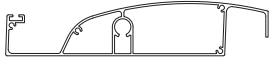
Position of **C1** and
position of the motor

6m projection

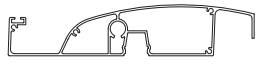


Position of **C1** and
position of the motor

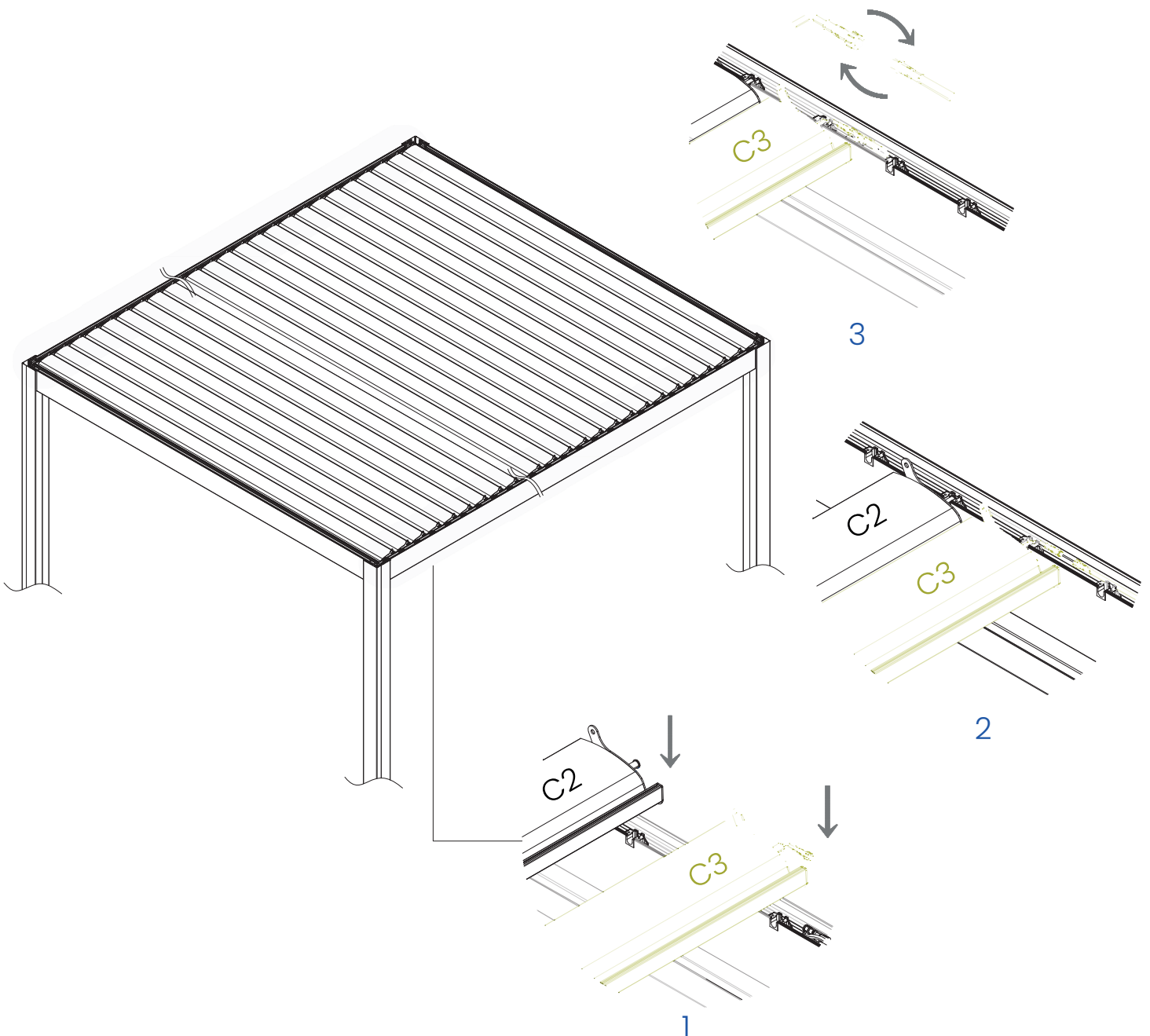
Place C2 and C3 in their correct positions as detailed shown on the next page (if you order a product without C3 in it, the remaining slots should all be C2).



C2



C3



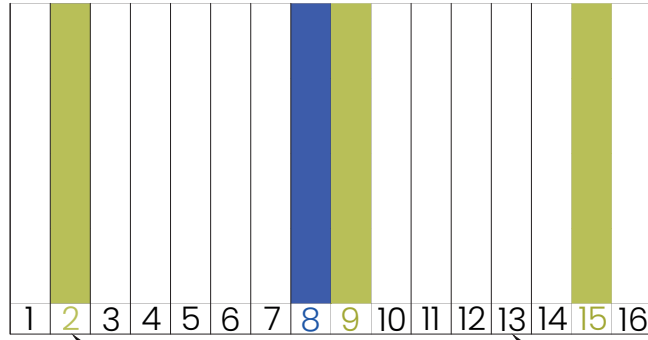


C3



C2

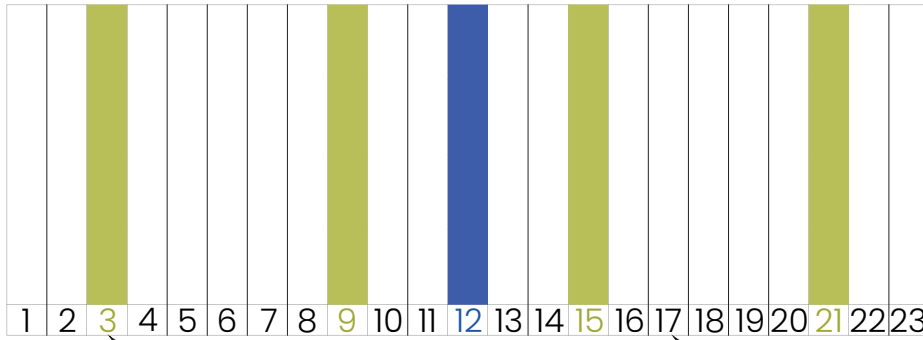
3m projection



Position of C3

Position of C2

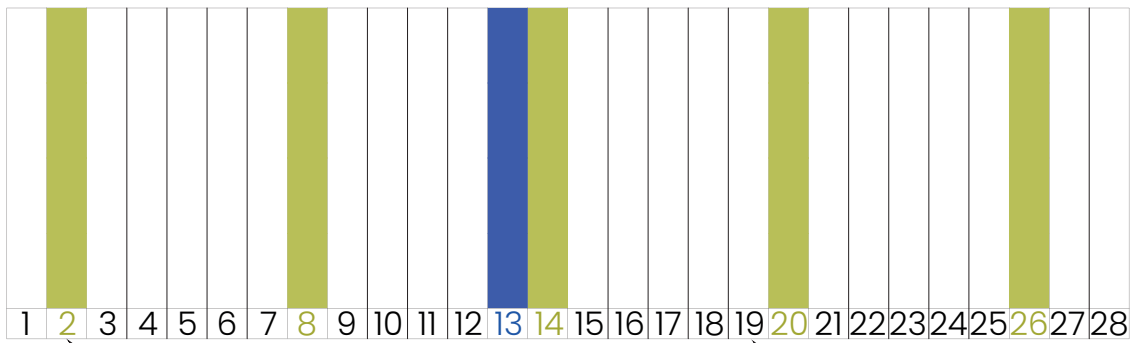
4m projection



Position of C3

Position of C2

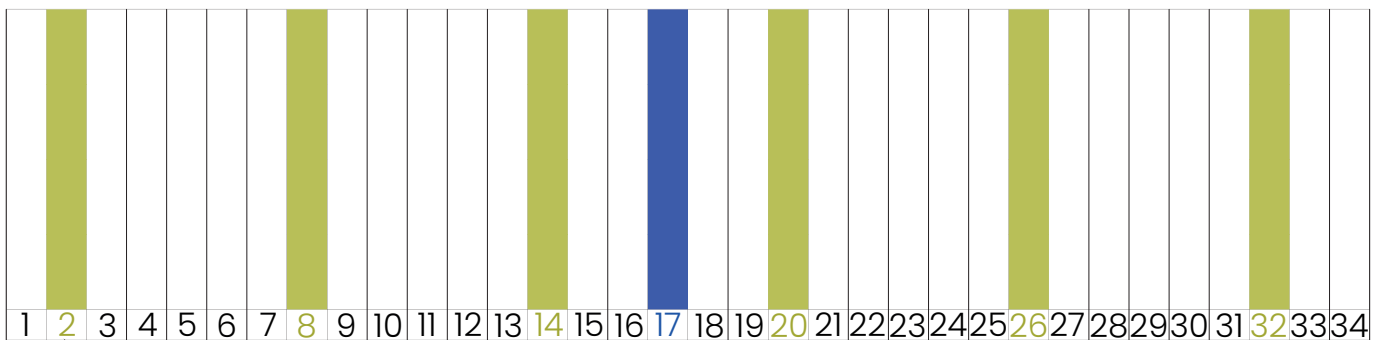
5m projection



Position of C3

Position of C2

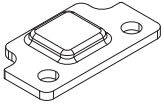
6m projection



Position of C3

Position of C2

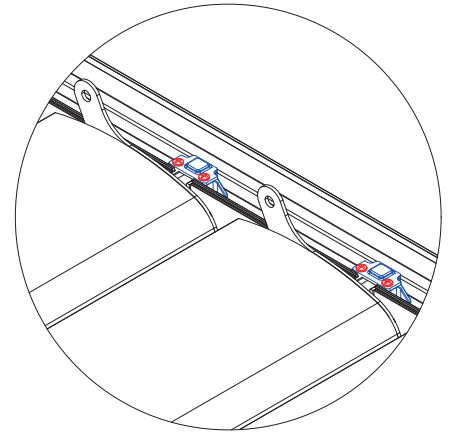
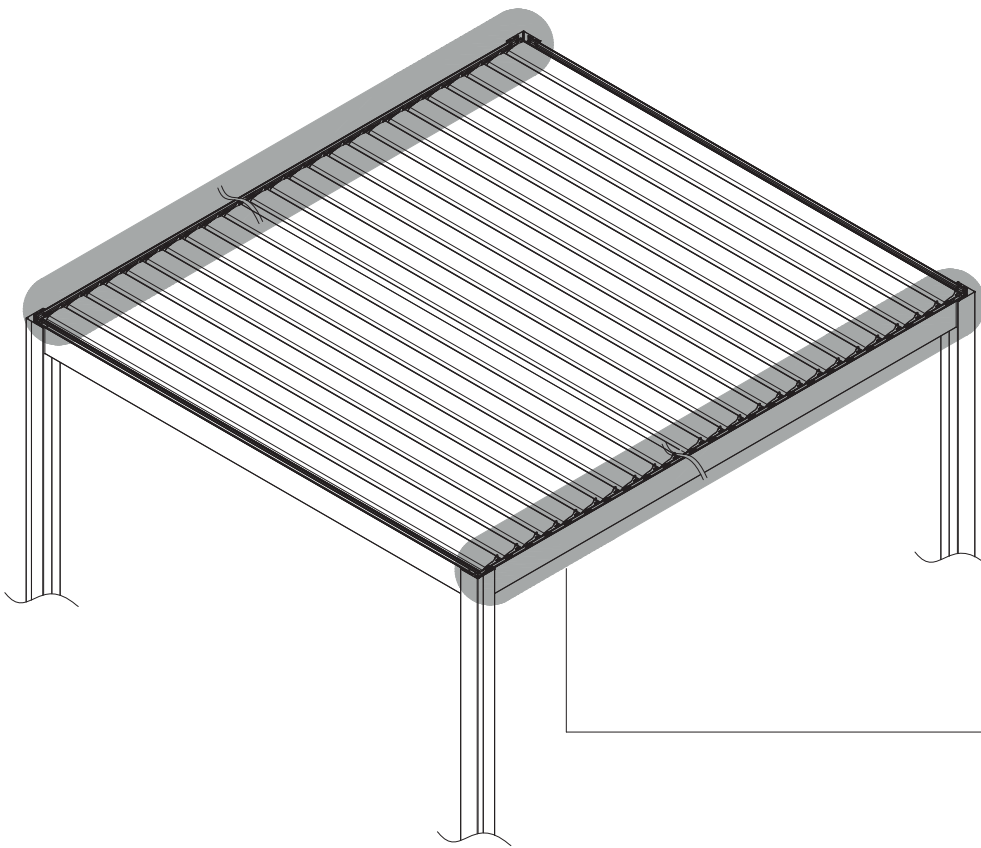
Fasten ⑧ in place by using ⑨.



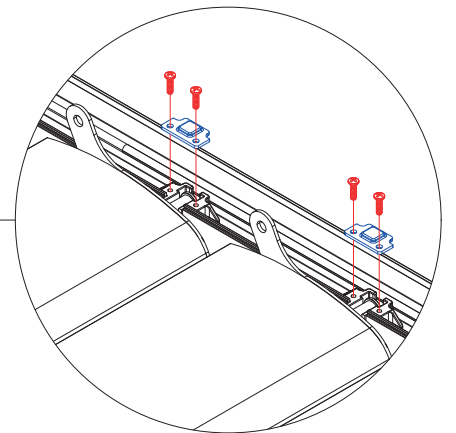
⑧



⑨

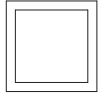


2



1

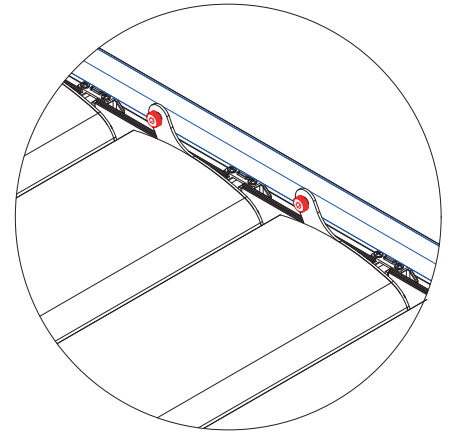
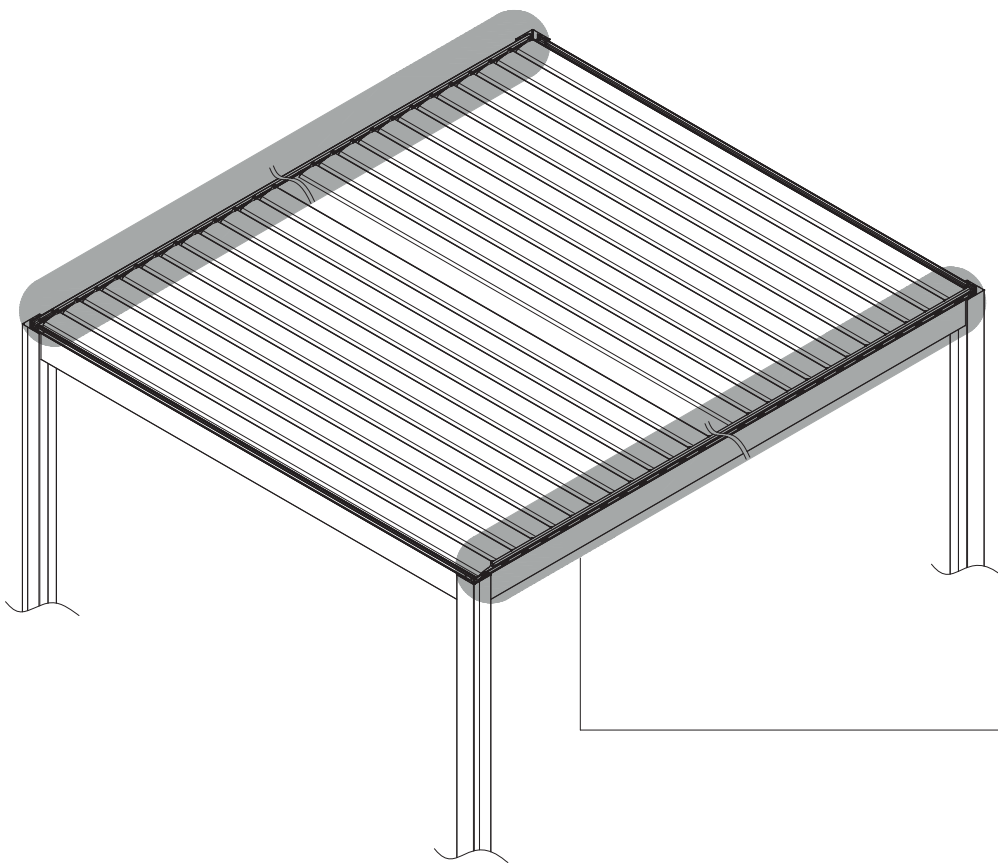
Fasten the louver blade end cap to D1 by using ⑩.



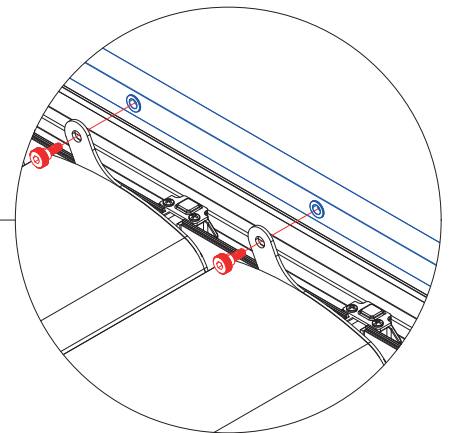
D1



⑩



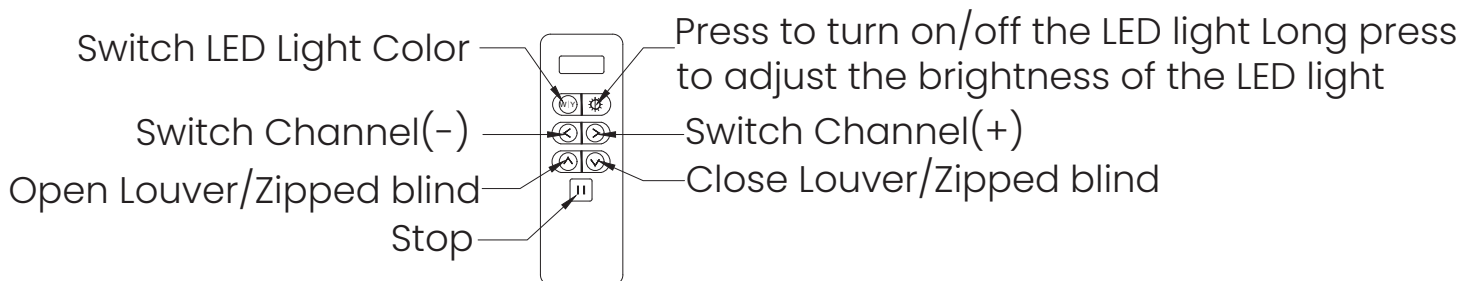
2



1

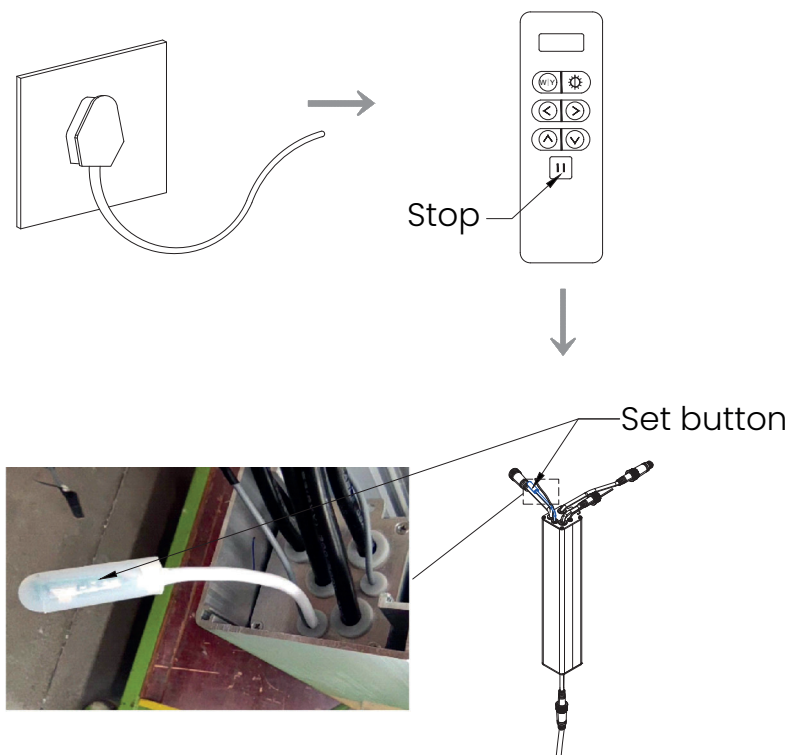
When the receiver cannot control the motor, please follow the steps below to program.

Normally no code pairing is required, please contact our team if you encounter any other problems.



Remote Control

- 1) Press and hold the "Set button", when the indicator light will start flashing and enter the pairing state.
- 2) Long press the remote control "stop button" for 2 seconds, after the indicator light stops flashing, release the button, and the code pairing is successful.



1) Download the Tuya APP on your mobile phone, open it, and display the following page, click "Add Device".

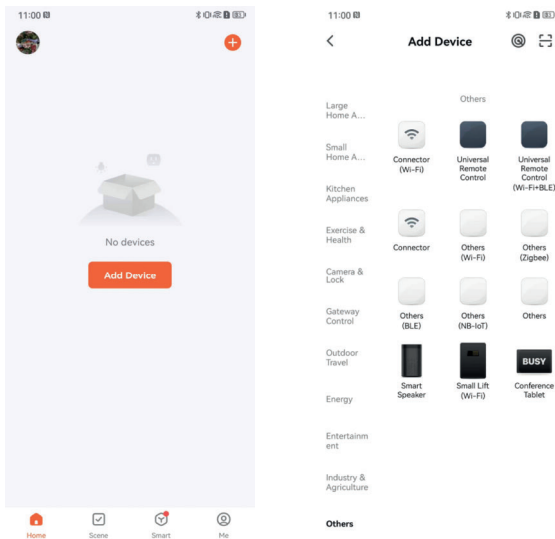
2) Click Others, select Connector(Wi-Fi), select 2.4GHz Wi-Fi network, and enter the password, and click "Next".

3) According to the prompt, press the "Set" button on the control panel for 5 seconds, the indicator light starts to flash, click "confirm the indicator is blinking".

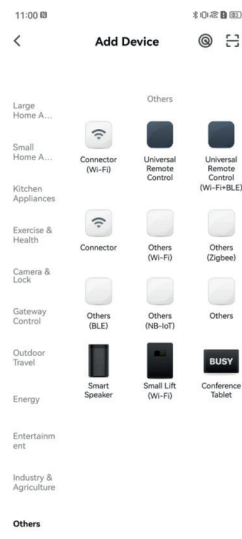
4) According to the prompt and the blinking frequency of the indicator light, click "Blink Quickly" to start searching for devices.

5) After searching for "Pergola", click "Done" to enter the control page.

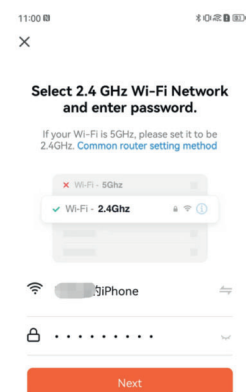
Congratulations, the device pairing is complete! The next time you enter the APP, click on the "Home" page and click on "Pergola" to enter the control page.



1



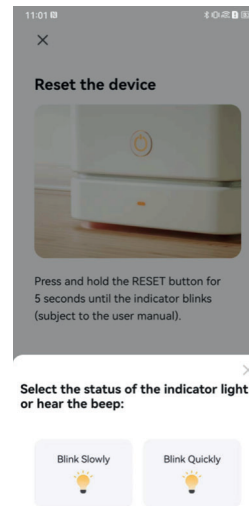
2



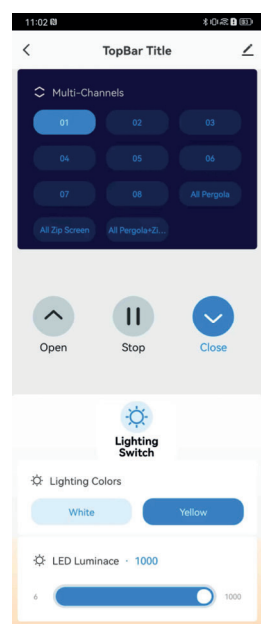
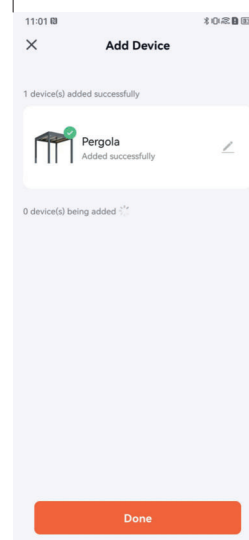
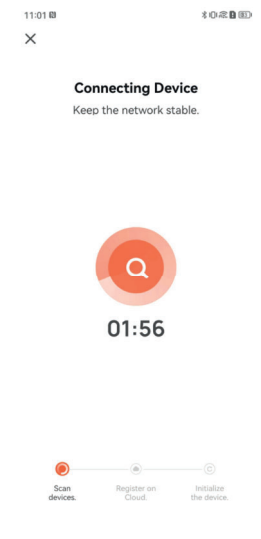
3



4



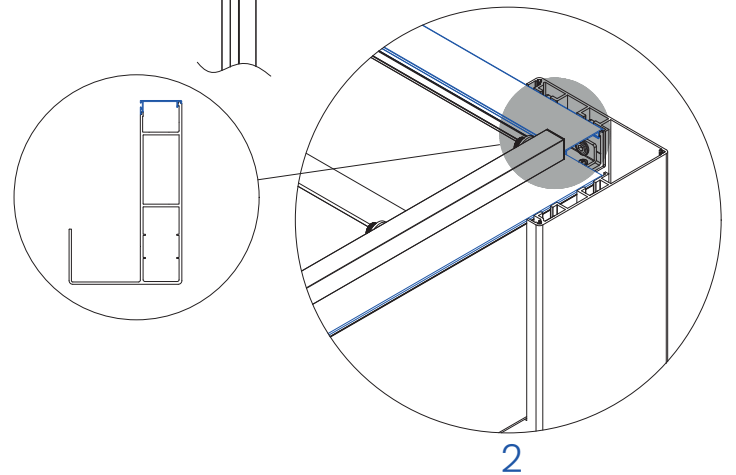
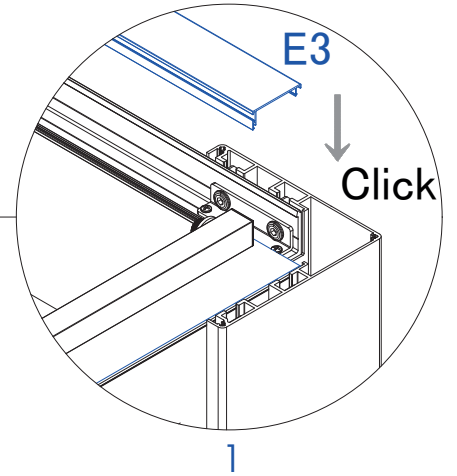
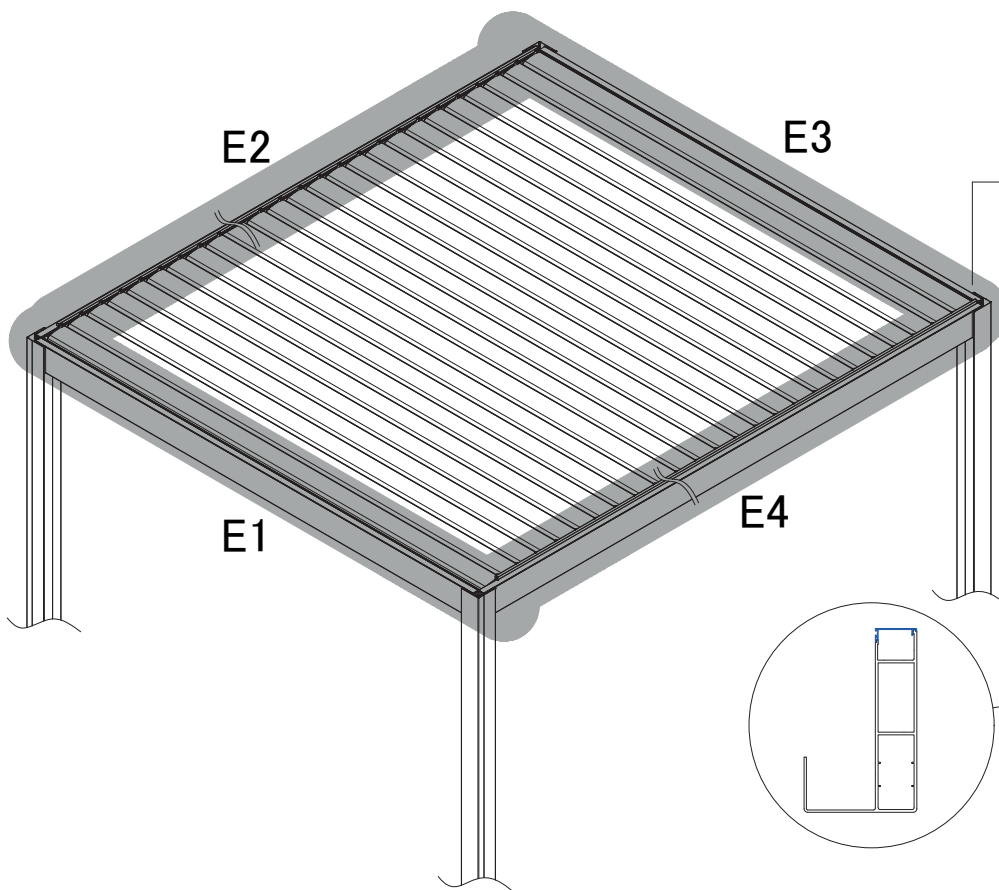
5



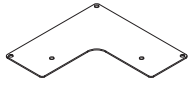
Install all part "E" in the correct position (it may be appropriate to gently tap the E's with a rubber mallet until the "E" are fully installed correctly).



E



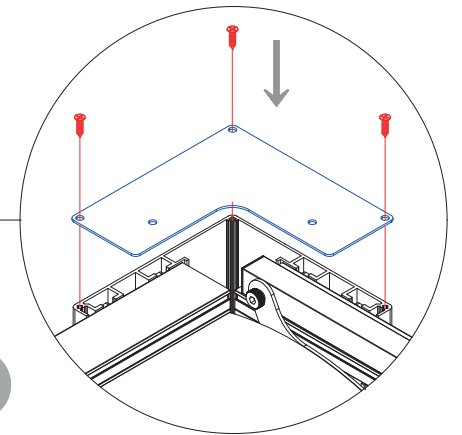
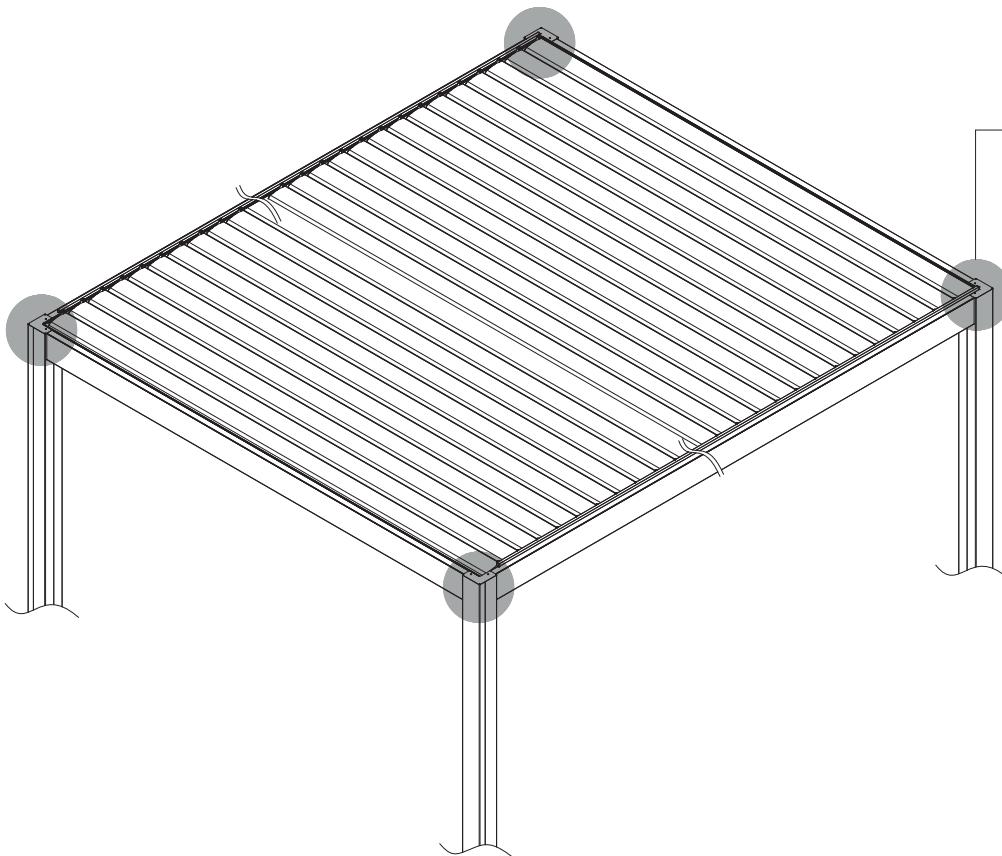
Fasten ⑤ to the top of all the posts by using ⑥.



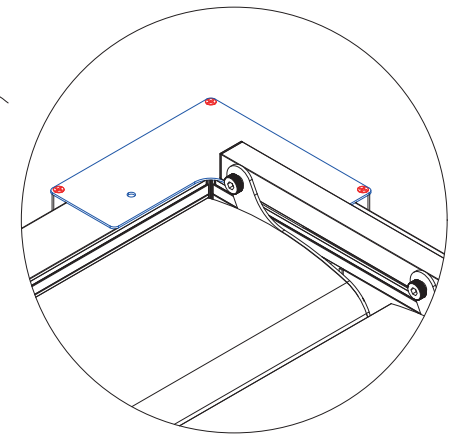
⑤



⑥



1

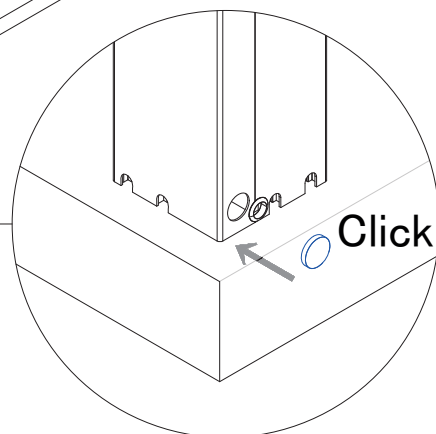
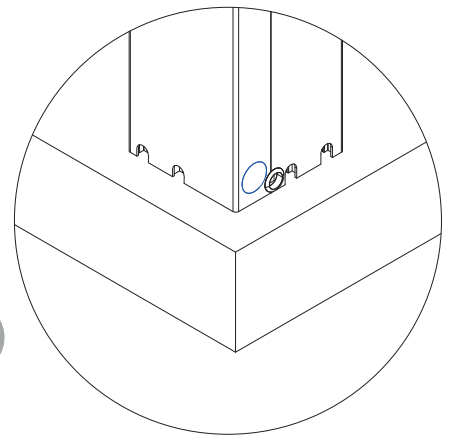
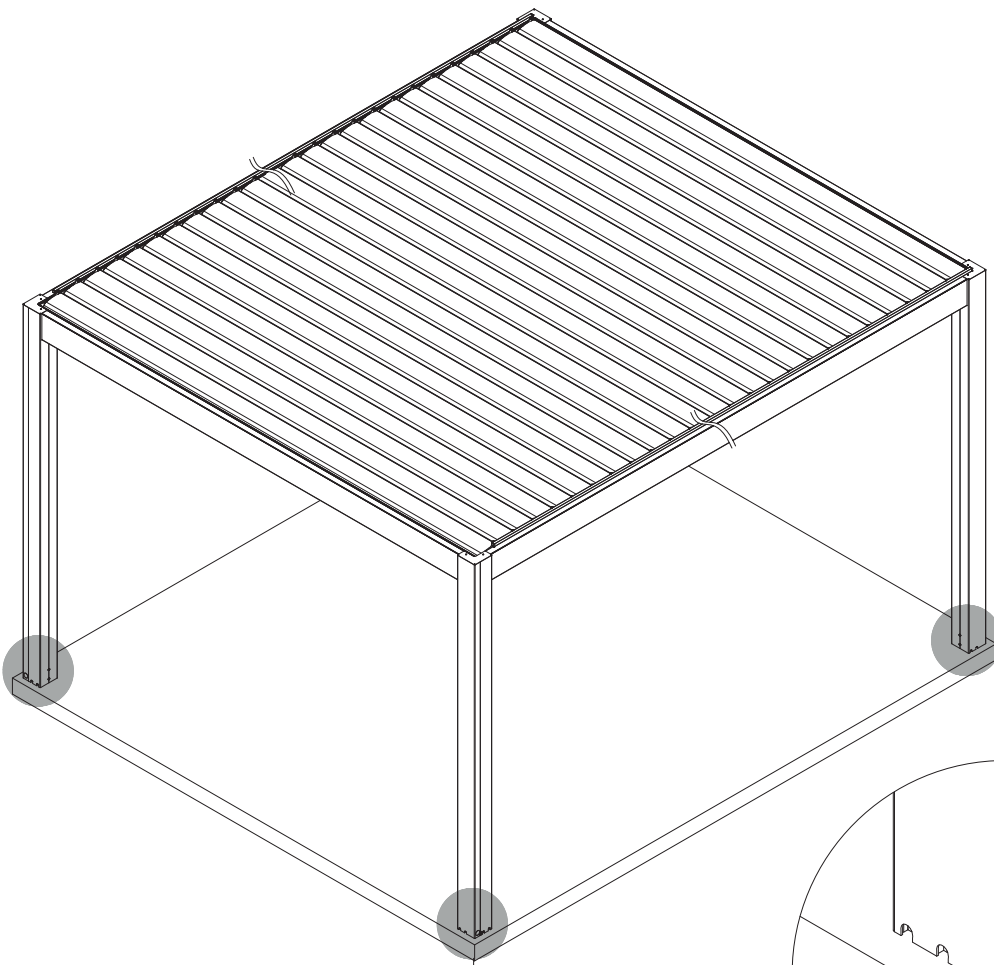


2

Plug all the screw holes on the bottom of the posts with a Rubber Stopper.



Rubber Stopper



Caring for Your Pergola

- Structure surfaces coated with thermosetting powder coatings must be cleaned once a year to maintain their original aesthetic appearance.
- Thermosetting powders are sensitive to:
Physical friction, hard impact, extrusion, chemicals including alkaline solvent and acidic solvent.
- Natural elements such as wind, rain, snow, and prolonged sunlight. The exterior of the pergola may deteriorate over time and this will not be covered under warranty.

Cleaning Your Pergola

- Do not use scouring pad, cream cleaner, abrasive sponge, iron wire ball or coloured cloths.
- Recommended: Soft sponge, soft sand-free cloth, cotton wool, cotton or non-woven paper (white only).
- Do not use corrosive products such as acidic or alkaline cleaners. It is recommended to wash with neutral pH detergent water and then wipe it with a cloth to keep it dry.
- When cleaning with high-pressure equipment, the same precautions must be taken as when cleaning the car body: distance, nozzle type, water temperature and pressure should all be considered.

Use Reminder

- After the installation is complete, check that the screws are tight. Remember to check the screws at least once per year.
- **In an instance where snowfall, hail or strong winds greater than 80km/h are predicted, it is recommended to open the louvre blades. Do not operate the blades in the event of frost or snow. Please remove the blades from the pergola when the snow is abundant.**
- Regularly check the sealing conditions to ensure that the seals or other components do not leak.
- Regularly clean up debris such as fallen leaves on pergola to prevent blockage of the drain.
- Restrictions on use: Watertight systems, although effective, are not designed to ensure complete waterproofing.
- Heavy rain and strong winds may damage the pergola. Any damage incurred will not be covered under warranty.